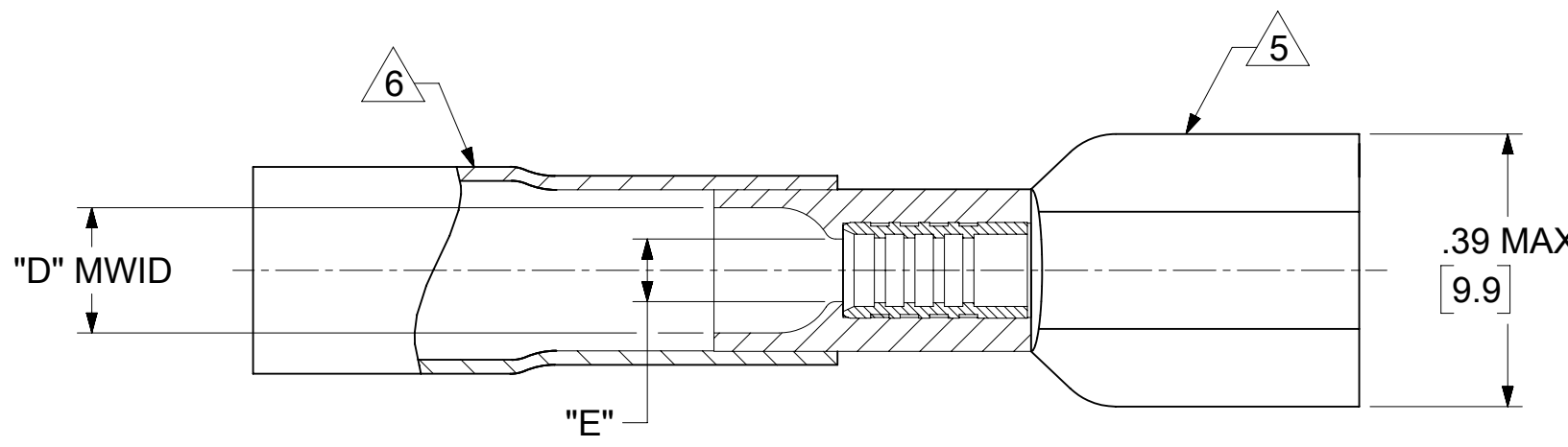
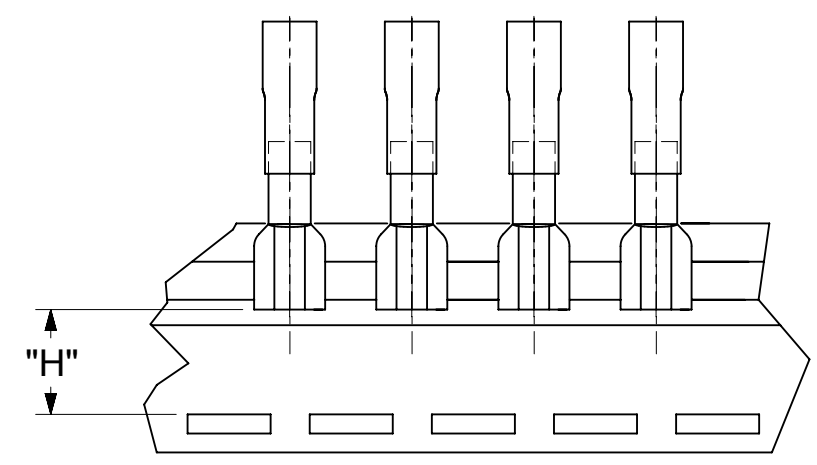
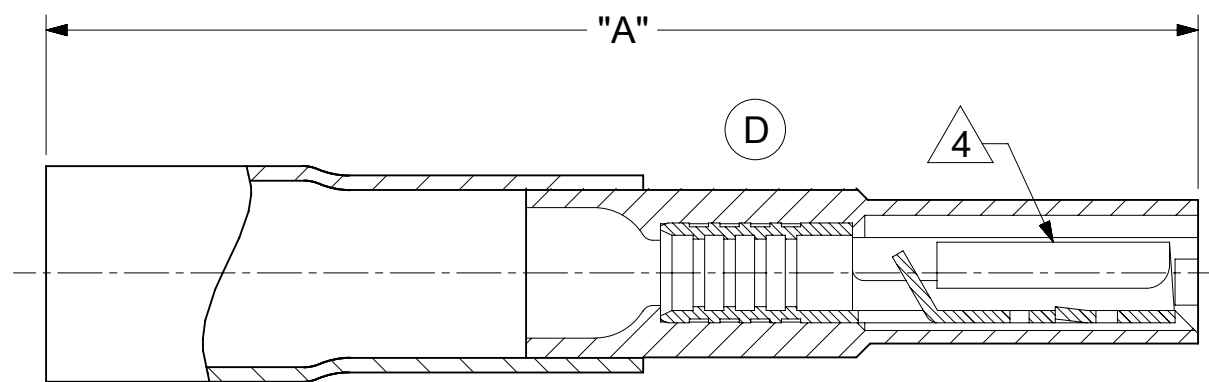


MAT'L NO.	ENG NO.	DESCRIPTION	MAT'L NO. TAPE	ENG NO. TAPE	WIRE SIZE AWG	FITS MALE TAB	PERMA-SEAL COLOR	"A" MAX	"D" MWID	"E" MIN	"H" NOMINAL
191640017	SAA-9261	PERMA-SEAL, COUPLER ASSY	191640018	SAA-9261T	22-18 (0.25 - 1.5)	.250 x .032	RED	1.70 (43.2)	.17 (4.3)	.081 (2.05)	.55 (14.0)
191640050	SBB-9263		191640051	SBB-9263T	16-14 (1.0 - 2.5)		BLUE				
191640076	SC-9281	PERMA-SEAL, AVIKRIMP ASSY	191640305	SC-9281T	12-10 (4.0 - 6.0)		YELLOW	1.72 (43.7)	.23 (5.8)	.140 (3.56)	.56 (14.2)



ASSY PART NUMBER:
191640017 & 191640050
CROSS-SECTION VIEW



TAPE MOUNTING DETAIL

- NOTE(S):
- FEMALE RECEPTACLE CONFORMS TO UL310.
 - ALL DIMENSIONS SHOWN ARE BEFORE SHRINK TUBING IS HEATED.
 - "MWID" = MAXIMUM WIRE INSULATION DIAMETER
 - TERMINAL MATERIAL: .018 (0.46) THICK BRASS. PLATING: TIN
 - INSULATION MATERIAL: MOLDED NYLON.
 - NYLON TUBING WITH HOTMELT INNER LINER. (SEE CHART FOR COLOR).
 - ALL PARTS ARE RoHS COMPLIANT.

THIS DRAWING CONTAINS INFORMATION THAT IS PROPRIETARY TO MOLEX ELECTRONIC TECHNOLOGIES, LLC AND SHOULD NOT BE USED WITHOUT WRITTEN PERMISSION												
FUNCTIONAL SYMBOLS	DIMENSION UNITS		SCALE		CURRENT REV DESC: ADD .200 GAP PER PCN #511248.							
$\frac{E}{A} = 0$	IN/MM		NTS									
$\frac{E}{E} = 0$	GENERAL TOLERANCES (UNLESS SPECIFIED)											
$\frac{E}{E} = 0$			MM	INCH				PERMA-SEAL COUPLER FEMALE RECEPTACLE				
DIVISIONAL SYMBOLS	4 PLACES	±	±		EC NO: 697037			PRODUCT CUSTOMER DRAWING				
	3 PLACES	±	±		DRWN: DMYRICK 2021/08/04			DOCUMENT NUMBER				
	2 PLACES	±	±		CHK'D: JMACNEIL 2022/07/05			SD-19164-020				
	1 PLACE	±	±		APPR: JMACNEIL 2022/07/05			DOC TYPE DOC PART REVISION				
	0 PLACES	±	±		INITIAL REVISION:			PSD 001 D				
	ANGULAR TOL		±	°	DRWN: BENDERLE 2003/03/06			MATERIAL NUMBER				
					APPR: RDEROSS 2003/03/07			CUSTOMER				
	DRAFT WHERE APPLICABLE MUST REMAIN WITHIN DIMENSIONS				THIRD ANGLE PROJECTION	DRAWING	SERIES	GENERAL MARKET		SHEET NUMBER		
						B-SIZE	19164	GENERAL MARKET		1 OF 1		