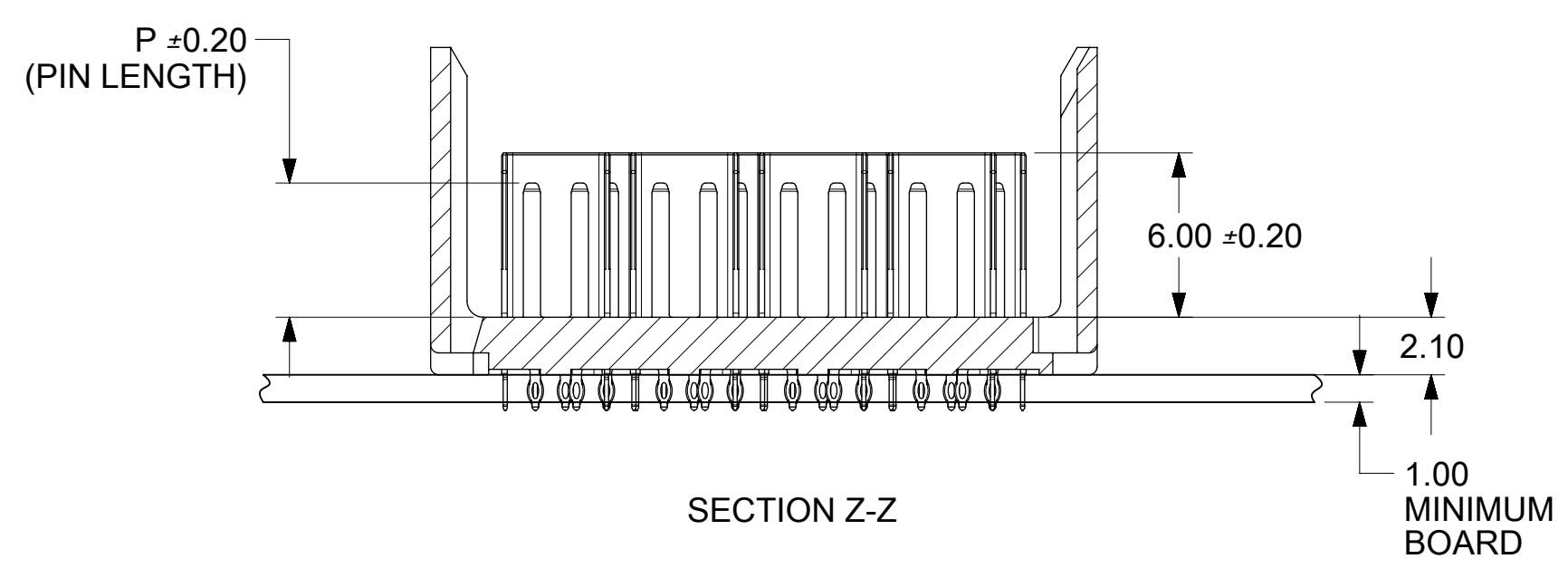


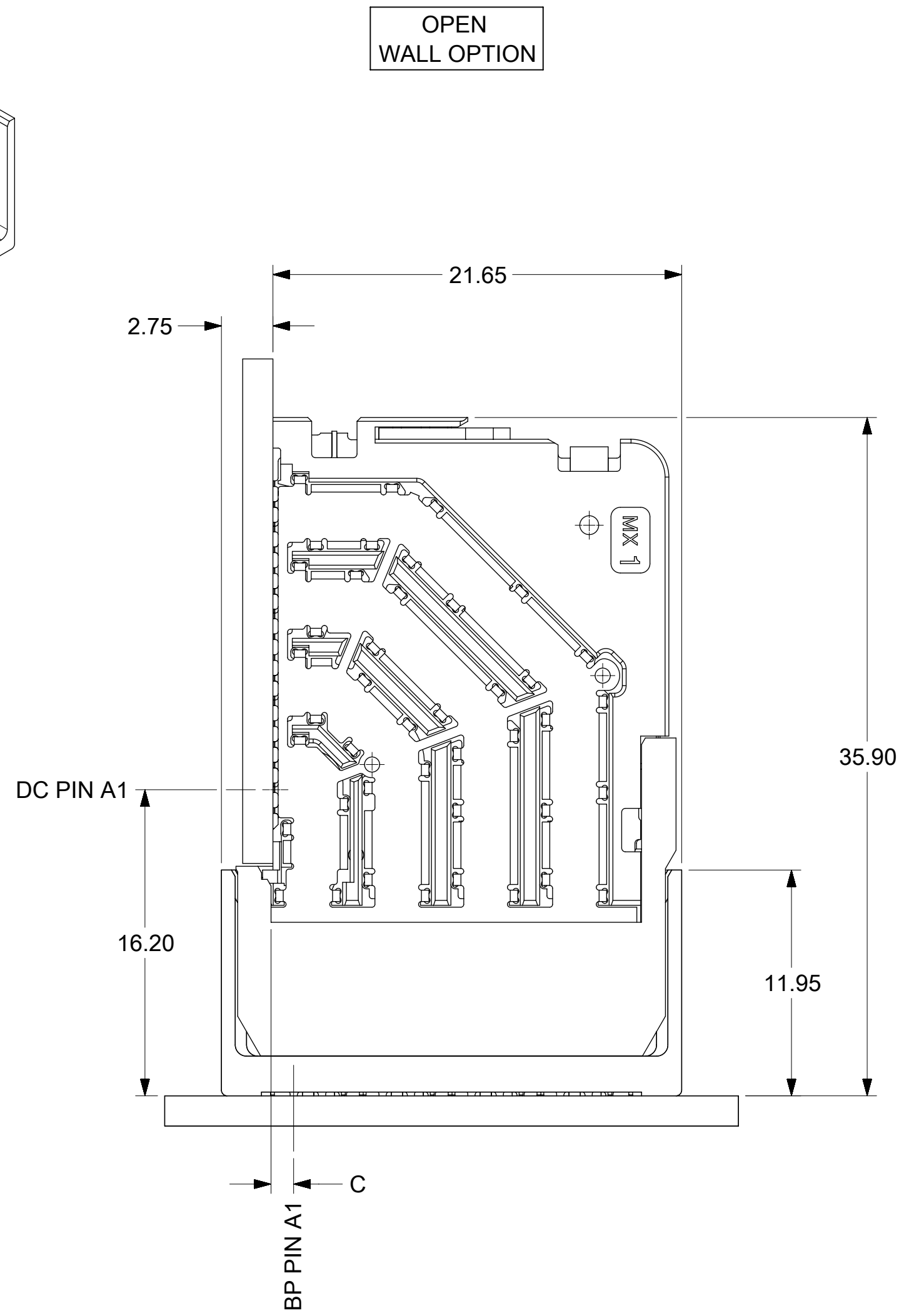
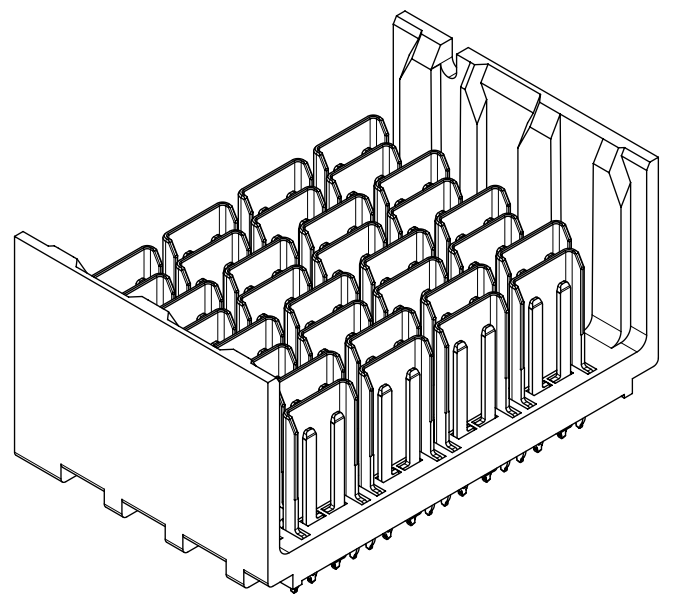
- NOTES:
1. MATERIALS: HOUSING - LIQUID CRYSTAL POLYMER (LCP)  
GLASS-FILLED, UL94V-0  
TERMINALS - HIGH PERFORMANCE COPPER ALLOY
  2. FINISH: 30uIN GOLD IN CONTACT AREA.  
SELECTIVE TIN ON PCB TAILS.  
NICKEL OVERALL.
  3. REFER TO MOLEX PRODUCT SPECIFICATION PS-171320-999 FOR PERFORMANCE SPECIFICATIONS.
  4. THIS PART CONFORMS TO CLASS B REQUIREMENTS OF MOLEX COSMETIC SPEC PS-45499-002.
  5. PRODUCT WILL BE PACKAGED PER PK-78888-084 EXCEPT FOR P/N 171315-1808 TO BE PACKAGED PER 1713151808-PK.
  6. SEE SHEETS 6 AND 7 FOR HOLE PATTERN AND MATED PART DIMENSIONS.
  7. MATES WITH IMPEL DC SERIES NUMBER 171320.
  8. REFER TO IMPEL PCB ROUTING GUIDE AS-171320-990 FOR ANTIPAD, ROUTING RECOMMENDATIONS, AND ADDITIONAL PCB INFORMATION.
  9. WHEN STACKING MODULES END TO END, THE MINIMUM COLUMN TO COLUMN SPACING IS 2.65mm.



THIS DRAWING CONTAINS INFORMATION THAT IS PROPRIETARY TO MOLEX ELECTRONIC TECHNOLOGIES, LLC AND SHOULD NOT BE USED WITHOUT WRITTEN PERMISSION																			
DIMENSION UNITS		SCALE		CURRENT REV DESC: UPDATE PK SPEC															
mm		NTS		<p style="text-align: center;">IMPEL 4 PAIR BACKPLANE UNGUIDED ASSEMBLY SALES DRAWING</p> <p style="text-align: center;">PRODUCT CUSTOMER DRAWING</p> <table border="1" style="width: 100%; text-align: center;"> <tr> <td colspan="2">DOCUMENT NUMBER</td> <td>DOC TYPE</td> <td>DOC PART</td> <td>REVISION</td> </tr> <tr> <td colspan="2">SD-171315-0001</td> <td>PSD</td> <td>001</td> <td>A6</td> </tr> </table>						DOCUMENT NUMBER		DOC TYPE	DOC PART	REVISION	SD-171315-0001		PSD	001	A6
DOCUMENT NUMBER		DOC TYPE	DOC PART							REVISION									
SD-171315-0001		PSD	001							A6									
GENERAL TOLERANCES (UNLESS SPECIFIED)										EC NO: 625604		2019/10/11							
ANGULAR TOL ± 0.5°										DRWN: YLLIM		2019/10/18							
4 PLACES ±				CHK'D: HLG0H		2019/10/18													
3 PLACES ±				APPR: DWLEE01		2019/10/24													
2 PLACES ± 0.13				INITIAL REVISION:															
1 PLACE ± 0.25				DRWN: BJANOWIAK		2012/09/18													
0 PLACES ±				APPR: BJANOWIAK		2012/11/12													
DRAFT WHERE APPLICABLE MUST REMAIN WITHIN DIMENSIONS		THIRD ANGLE PROJECTION		DRAWING		SERIES		MATERIAL NUMBER											
				C-SIZE		171315		SEE TABLE											
								CUSTOMER											
								GENERAL MARKET											
								SHEET NUMBER											
								1 OF 7											

DOCUMENT STATUS	P1	RELEASE DATE	2019/10/24	10:09:07
-----------------	----	--------------	------------	----------

MATERIAL NUMBER	NUMBER OF COLUMNS	NUMBER OF DIFF PAIR	DIM "A"	DIM "B"	DIM "C"	DIM "P"	PTH $\phi$
171315-1307	6	24	12.00	9.50	1.20	4.90	0.36±0.05
171315-1804	8	32	15.80	13.30	1.10	4.90	0.46±0.05
171315-1805	8	32	15.80	13.30	1.10	5.50	0.46±0.05
171315-1807	8	32	15.80	13.30	1.20	4.90	0.36±0.05
171315-1808	8	32	15.80	13.30	1.20	5.50	0.36±0.05
171315-1104	10	40	19.60	17.10	1.10	4.90	0.46±0.05
171315-1105	10	40	19.60	17.10	1.10	5.50	0.46±0.05
171315-1107	10	40	19.60	17.10	1.20	4.90	0.36±0.05
171315-1108	10	40	19.60	17.10	1.20	5.50	0.36±0.05
171315-1204	12	48	23.40	20.90	1.10	4.90	0.46±0.05
171315-1205	12	48	23.40	20.90	1.10	5.50	0.46±0.05
171315-1207	12	48	23.40	20.90	1.20	4.90	0.36±0.05
171315-1208	12	48	23.40	20.90	1.20	5.50	0.36±0.05
171315-1704	14	56	27.20	24.70	1.10	4.90	0.46±0.05
171315-1705	14	56	27.20	24.70	1.10	5.50	0.46±0.05
171315-1707	14	56	27.20	24.70	1.20	4.90	0.36±0.05
171315-1708	14	56	27.20	24.70	1.20	5.50	0.36±0.05
171315-1604	16	64	31.00	28.50	1.10	4.90	0.46±0.05
171315-1605	16	64	31.00	28.50	1.10	5.50	0.46±0.05
171315-1607	16	64	31.00	28.50	1.20	4.90	0.36±0.05
171315-1608	16	64	31.00	28.50	1.20	5.50	0.36±0.05



171315-1 \* \* \*

MODULE TYPE  
1 = UNGUIDED

# OF COLUMNS  
8 = 8 COL  
1 = 10 COL  
2 = 12 COL  
7 = 14 COL  
6 = 16 COL

PIN LENGTH (P)  
4 = 4.90 (0.46 PTH)  
5 = 5.50 (0.46 PTH)  
7 = 4.90 (0.36 PTH)  
8 = 5.50 (0.36 PTH)

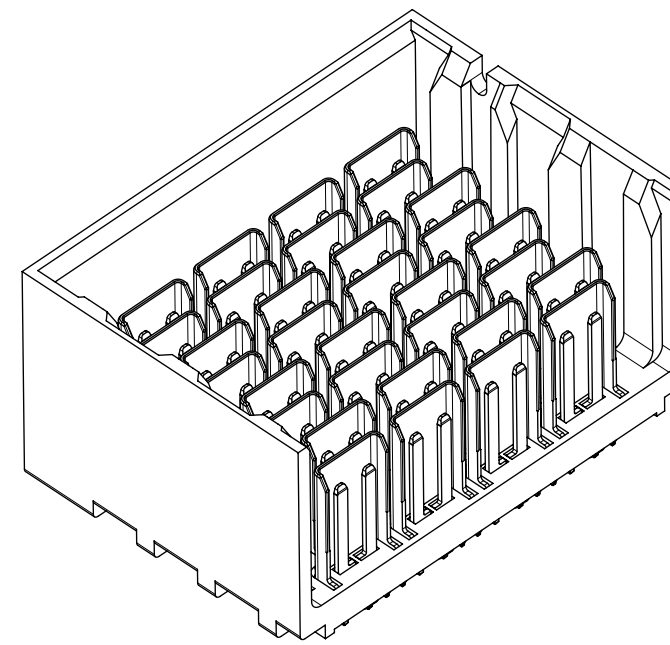
HOUSING STYLE  
0 = OPEN ENDS  
1 = LEFT END WALL  
2 = DUAL END WALL  
3 = RIGHT END WALL

MATED PART DIMENSIONS

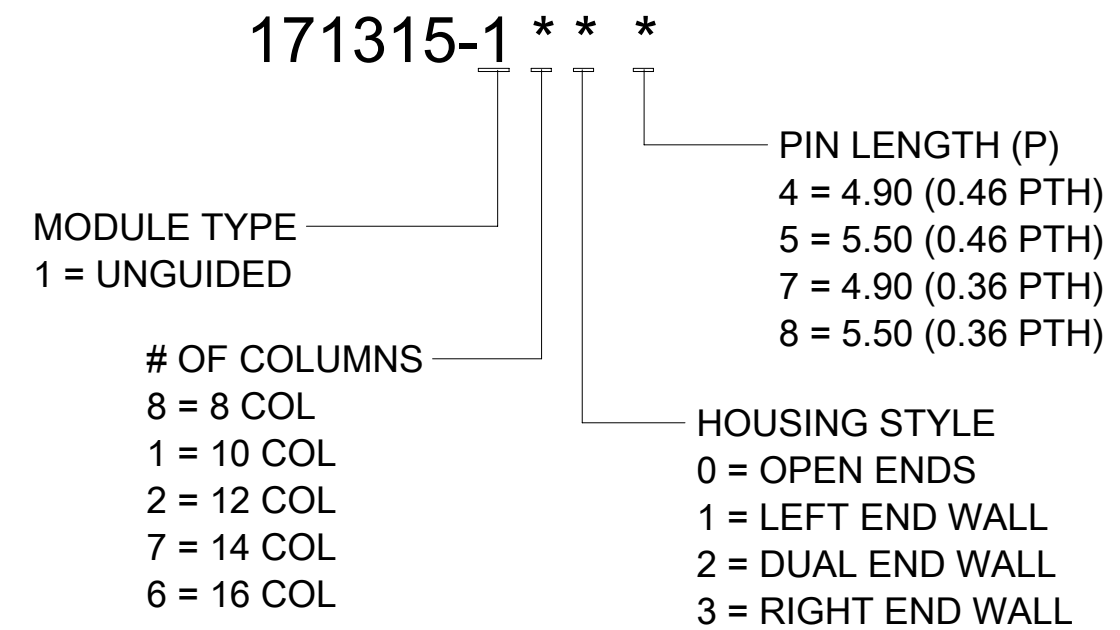
THIS DRAWING CONTAINS INFORMATION THAT IS PROPRIETARY TO MOLEX ELECTRONIC TECHNOLOGIES, LLC AND SHOULD NOT BE USED WITHOUT WRITTEN PERMISSION

DIMENSION UNITS	SCALE	CURRENT REV DESC: UPDATE PK SPEC		<b>molex</b>		
mm	NTS					
GENERAL TOLERANCES (UNLESS SPECIFIED)		EC NO: 625604		IMPEL 4 PAIR BACKPLANE UNGUIDED ASSEMBLY SALES DRAWING		
ANGULAR TOL	± 0.5°	DRWN: YLLIM	2019/10/11			
4 PLACES	±	CHK'D: HLG0H	2019/10/18	PRODUCT CUSTOMER DRAWING		
3 PLACES	±	APPR: DWLEE01	2019/10/24			
2 PLACES	± 0.13	INITIAL REVISION:		DOCUMENT NUMBER <b>SD-171315-0001</b>		
1 PLACE	± 0.25	DRWN: BJANOWIAK	2012/09/18			
0 PLACES	±	APPR: BJANOWIAK	2012/11/12	MATERIAL NUMBER SEE TABLE		
DRAFT WHERE APPLICABLE MUST REMAIN WITHIN DIMENSIONS		THIRD ANGLE PROJECTION	DRAWING C-SIZE			
DOCUMENT STATUS P1		RELEASE DATE 2019/10/24	10:09:07	SHEET NUMBER 2 OF 7		

MATERIAL NUMBER	NUMBER OF COLUMNS	NUMBER OF DIFF PAIR	DIM "A"	DIM "B"	DIM "C"	DIM "P"	PTH $\phi$
171315-1814	8	32	17.20	13.30	1.10	4.90	0.46±0.05
171315-1815	8	32	17.20	13.30	1.10	5.50	0.46±0.05
171315-1817	8	32	17.20	13.30	1.20	4.90	0.36±0.05
171315-1818	8	32	17.20	13.30	1.20	5.50	0.36±0.05
171315-1114	10	40	21.00	17.10	1.10	4.90	0.46±0.05
171315-1115	10	40	21.00	17.10	1.10	5.50	0.46±0.05
171315-1117	10	40	21.00	17.10	1.20	4.90	0.36±0.05
171315-1118	10	40	21.00	17.10	1.20	5.50	0.36±0.05
171315-1214	12	48	24.80	20.90	1.10	4.90	0.46±0.05
171315-1215	12	48	24.80	20.90	1.10	5.50	0.46±0.05
171315-1217	12	48	24.80	20.90	1.20	4.90	0.36±0.05
171315-1218	12	48	24.80	20.90	1.20	5.50	0.36±0.05
171315-1714	14	56	28.60	24.70	1.10	4.90	0.46±0.05
171315-1715	14	56	28.60	24.70	1.10	5.50	0.46±0.05
171315-1717	14	56	28.60	24.70	1.20	4.90	0.36±0.05
171315-1718	14	56	28.60	24.70	1.20	5.50	0.36±0.05
171315-1614	16	64	32.40	28.50	1.10	4.90	0.46±0.05
171315-1615	16	64	32.40	28.50	1.10	5.50	0.46±0.05
171315-1617	16	64	32.40	28.50	1.20	4.90	0.36±0.05
171315-1618	16	64	32.40	28.50	1.20	5.50	0.36±0.05



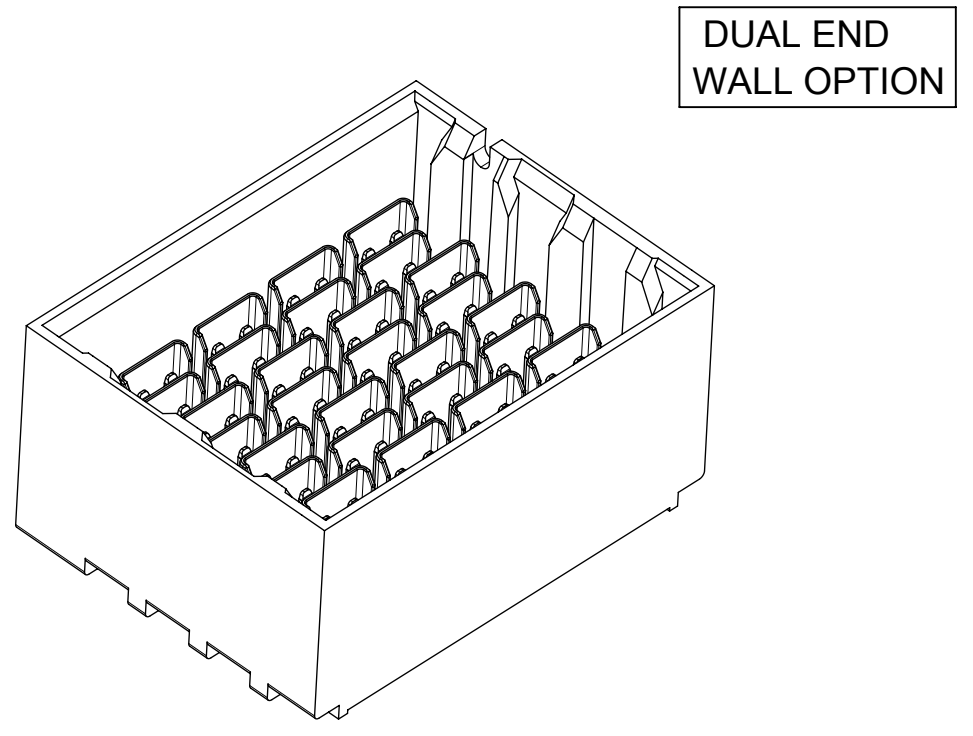
LEFT END WALL OPTION



THIS DRAWING CONTAINS INFORMATION THAT IS PROPRIETARY TO MOLEX ELECTRONIC TECHNOLOGIES, LLC AND SHOULD NOT BE USED WITHOUT WRITTEN PERMISSION									
DIMENSION UNITS		SCALE		CURRENT REV DESC: UPDATE PK SPEC					
mm		NTS							
GENERAL TOLERANCES (UNLESS SPECIFIED)				EC NO: 625604				IMPEL 4 PAIR BACKPLANE UNGUIDED ASSEMBLY SALES DRAWING PRODUCT CUSTOMER DRAWING	
ANGULAR TOL ± 0.5°				DRWN: YLLIM 2019/10/11					
4 PLACES ±				CHK'D: HLG0H 2019/10/18					
3 PLACES ±				APPR: DWLEE01 2019/10/24				DOCUMENT NUMBER <b>SD-171315-0001</b>	
2 PLACES ± 0.13				INITIAL REVISION:					
1 PLACE ± 0.25				DRWN: BJANOWIAK 2012/09/18				DOC TYPE	
0 PLACES ±				APPR: BJANOWIAK 2012/11/12				DOC PART	
DRAFT WHERE APPLICABLE MUST REMAIN WITHIN DIMENSIONS				THIRD ANGLE PROJECTION		DRAWING		SERIES	
						C-SIZE		171315	
MATERIAL NUMBER		CUSTOMER		SHEET NUMBER		DOC TYPE		DOC PART	
SEE TABLE		GENERAL MARKET		3 OF 7		PSD		001	

DOCUMENT STATUS	P1	RELEASE DATE	2019/10/24	10:09:07
-----------------	----	--------------	------------	----------

MATERIAL NUMBER	NUMBER OF COLUMNS	NUMBER OF DIFF PAIR	DIM "A"	DIM "B"	DIM "C"	DIM "P"	PTH $\phi$
171315-1824	8	32	18.60	13.30	1.10	4.90	0.46±0.05
171315-1825	8	32	18.60	13.30	1.10	5.50	0.46±0.05
171315-1827	8	32	18.60	13.30	1.20	4.90	0.36±0.05
171315-1828	8	32	18.60	13.30	1.20	5.50	0.36±0.05
171315-1124	10	40	22.40	17.10	1.10	4.90	0.46±0.05
171315-1125	10	40	22.40	17.10	1.10	5.50	0.46±0.05
171315-1127	10	40	22.40	17.10	1.20	4.90	0.36±0.05
171315-1128	10	40	22.40	17.10	1.20	5.50	0.36±0.05
171315-1224	12	48	26.20	20.90	1.10	4.90	0.46±0.05
171315-1225	12	48	26.20	20.90	1.10	5.50	0.46±0.05
171315-1227	12	48	26.20	20.90	1.20	4.90	0.36±0.05
171315-1228	12	48	26.20	20.90	1.20	5.50	0.36±0.05
171315-1724	14	56	30.00	24.70	1.10	4.90	0.46±0.05
171315-1725	14	56	30.00	24.70	1.10	5.50	0.46±0.05
171315-1727	14	56	30.00	24.70	1.20	4.90	0.36±0.05
171315-1728	14	56	30.00	24.70	1.20	5.50	0.36±0.05
171315-1624	16	64	33.80	28.50	1.10	4.90	0.46±0.05
171315-1625	16	64	33.80	28.50	1.10	5.50	0.46±0.05
171315-1627	16	64	33.80	28.50	1.20	4.90	0.36±0.05
171315-1628	16	64	33.80	28.50	1.20	5.50	0.36±0.05



**171315-1 \* \* \***

MODULE TYPE  
1 = UNGUIDED

# OF COLUMNS  
8 = 8 COL  
1 = 10 COL  
2 = 12 COL  
7 = 14 COL  
6 = 16 COL

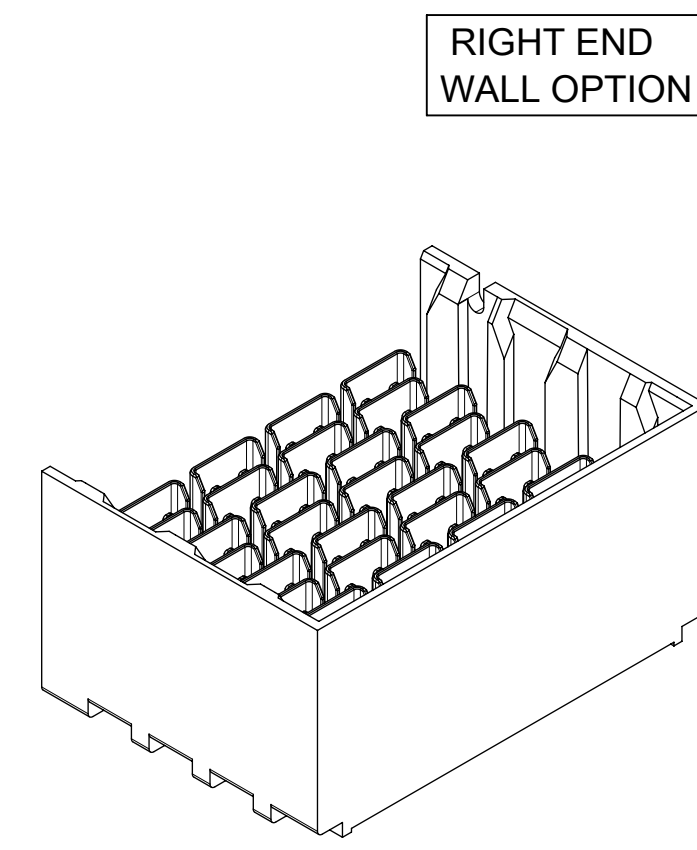
PIN LENGTH (P)  
4 = 4.90 (0.46 PTH)  
5 = 5.50 (0.46 PTH)  
7 = 4.90 (0.36 PTH)  
8 = 5.50 (0.36 PTH)

HOUSING STYLE  
0 = OPEN ENDS  
1 = LEFT END WALL  
2 = DUAL END WALL  
3 = RIGHT END WALL

THIS DRAWING CONTAINS INFORMATION THAT IS PROPRIETARY TO MOLEX ELECTRONIC TECHNOLOGIES, LLC AND SHOULD NOT BE USED WITHOUT WRITTEN PERMISSION									
DIMENSION UNITS		SCALE		CURRENT REV DESC: UPDATE PK SPEC				<b>molex</b>	
mm		NTS							
GENERAL TOLERANCES (UNLESS SPECIFIED)				EC NO: 625604				IMPEL 4 PAIR BACKPLANE UNGUIDED ASSEMBLY SALES DRAWING	
ANGULAR TOL ± 0.5°				DRWN: YLLIM 2019/10/11					
4 PLACES ±				CHK'D: HLG0H 2019/10/18					
3 PLACES ±				APPR: DWLEE01 2019/10/24				PRODUCT CUSTOMER DRAWING	
2 PLACES ± 0.13				INITIAL REVISION:					
1 PLACE ± 0.25				DRWN: BJANOWIAK 2012/09/18				DOCUMENT NUMBER	
0 PLACES ±				APPR: BJANOWIAK 2012/11/12				SD-171315-0001	
DRAFT WHERE APPLICABLE MUST REMAIN WITHIN DIMENSIONS		THIRD ANGLE PROJECTION		DRAWING		SERIES		MATERIAL NUMBER	
				C-SIZE		171315		SEE TABLE	
								CUSTOMER	
								GENERAL MARKET	
								SHEET NUMBER	
								4 OF 7	

DOCUMENT STATUS	P1	RELEASE DATE	2019/10/24	10:09:07
-----------------	----	--------------	------------	----------

MATERIAL NUMBER	NUMBER OF COLUMNS	NUMBER OF DIFF PAIR	DIM "A"	DIM "B"	DIM "C"	DIM "P"	PTH $\phi$
171315-1834	8	32	17.20	13.30	1.10	4.90	0.46±0.05
171315-1835	8	32	17.20	13.30	1.10	5.50	0.46±0.05
171315-1837	8	32	17.20	13.30	1.20	4.90	0.36±0.05
171315-1838	8	32	17.20	13.30	1.20	5.50	0.36±0.05
171315-1134	10	40	21.00	17.10	1.10	4.90	0.46±0.05
171315-1135	10	40	21.00	17.10	1.10	5.50	0.46±0.05
171315-1137	10	40	21.00	17.10	1.20	4.90	0.36±0.05
171315-1138	10	40	21.00	17.10	1.20	5.50	0.36±0.05
171315-1234	12	48	24.80	20.90	1.10	4.90	0.46±0.05
171315-1235	12	48	24.80	20.90	1.10	5.50	0.46±0.05
171315-1237	12	48	24.80	20.90	1.20	4.90	0.36±0.05
171315-1238	12	48	24.80	20.90	1.20	5.50	0.36±0.05
171315-1734	14	56	28.60	24.70	1.10	4.90	0.46±0.05
171315-1735	14	56	28.60	24.70	1.10	5.50	0.46±0.05
171315-1737	14	56	28.60	24.70	1.20	4.90	0.36±0.05
171315-1738	14	56	28.60	24.70	1.20	5.50	0.36±0.05
171315-1634	16	64	32.40	28.50	1.10	4.90	0.46±0.05
171315-1635	16	64	32.40	28.50	1.10	5.50	0.46±0.05
171315-1637	16	64	32.40	28.50	1.20	4.90	0.36±0.05
171315-1638	16	64	32.40	28.50	1.20	5.50	0.36±0.05



**171315-1 \* \* \***

MODULE TYPE  
1 = UNGUIDED

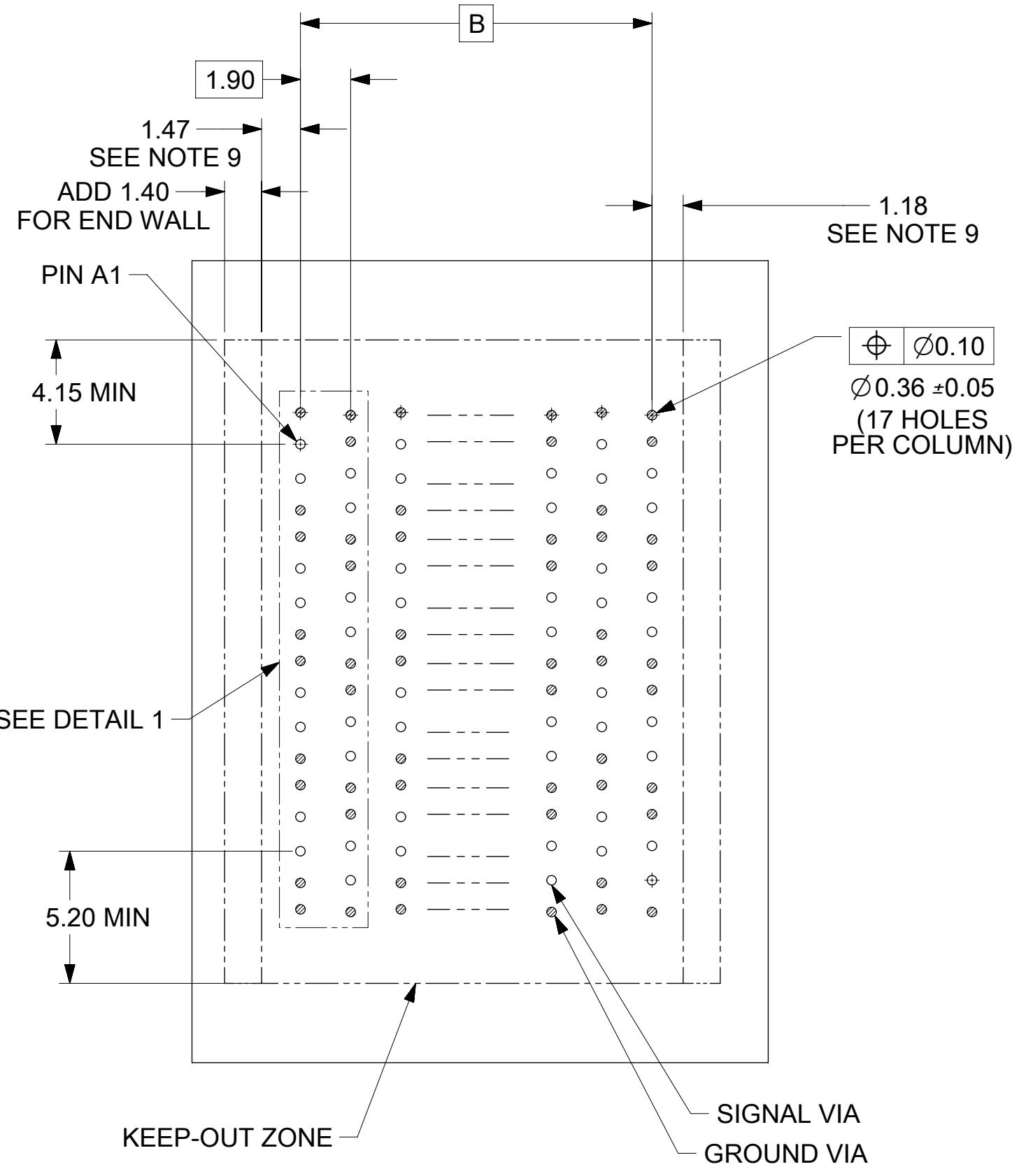
# OF COLUMNS  
8 = 8 COL  
1 = 10 COL  
2 = 12 COL  
7 = 14 COL  
6 = 16 COL

PIN LENGTH (P)  
4 = 4.90 (0.46 PTH)  
5 = 5.50 (0.46 PTH)  
7 = 4.90 (0.36 PTH)  
8 = 5.50 (0.36 PTH)

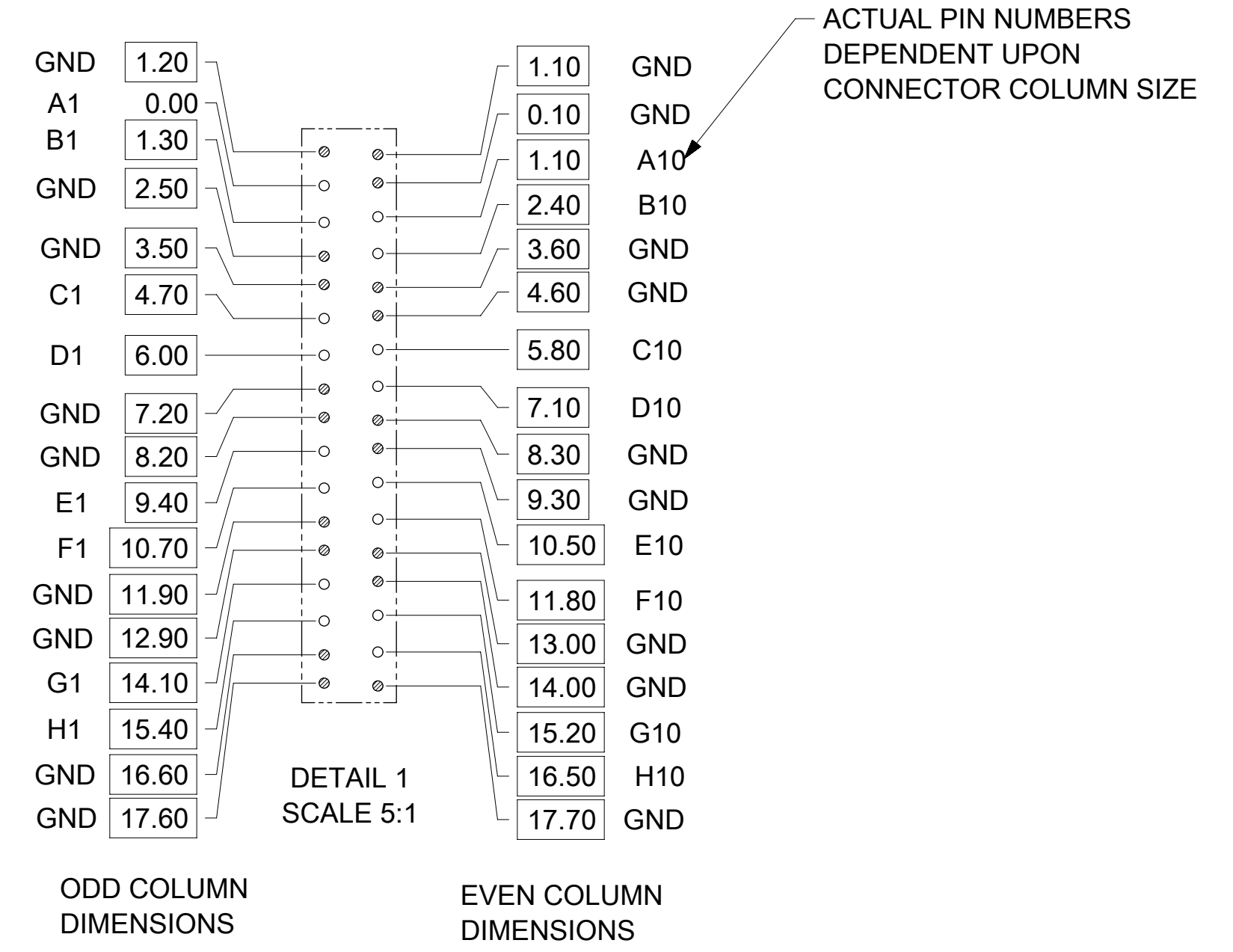
HOUSING STYLE  
0 = OPEN ENDS  
1 = LEFT END WALL  
2 = DUAL END WALL  
3 = RIGHT END WALL

THIS DRAWING CONTAINS INFORMATION THAT IS PROPRIETARY TO MOLEX ELECTRONIC TECHNOLOGIES, LLC AND SHOULD NOT BE USED WITHOUT WRITTEN PERMISSION									
DIMENSION UNITS		SCALE		CURRENT REV DESC: UPDATE PK SPEC				<b>molex</b>	
mm		NTS							
GENERAL TOLERANCES (UNLESS SPECIFIED)				EC NO: 625604				IMPEL 4 PAIR BACKPLANE UNGUIDED ASSEMBLY SALES DRAWING	
ANGULAR TOL ± 0.5°				DRWN: YLLIM 2019/10/11					
4 PLACES ±				CHK'D: HLG0H 2019/10/18					
3 PLACES ±				APPR: DWLEE01 2019/10/24				PRODUCT CUSTOMER DRAWING	
2 PLACES ± 0.13				INITIAL REVISION:				DOCUMENT NUMBER	
1 PLACE ± 0.25				DRWN: BJANOWIAK 2012/09/18				SD-171315-0001	
0 PLACES ±				APPR: BJANOWIAK 2012/11/12				DOC TYPE DOC PART REVISION	
DRAFT WHERE APPLICABLE MUST REMAIN WITHIN DIMENSIONS				THIRD ANGLE PROJECTION		DRAWING		MATERIAL NUMBER	
				C-SIZE		SERIES		CUSTOMER	
				C-SIZE		171315		GENERAL MARKET	
								SHEET NUMBER	
								5 OF 7	

DOCUMENT STATUS	P1	RELEASE DATE	2019/10/24	10:09:07
-----------------	----	--------------	------------	----------



BACKPLANE HOLE PATTERN  
FOR Ø0.36 PTH  
(CONNECTOR SIDE)

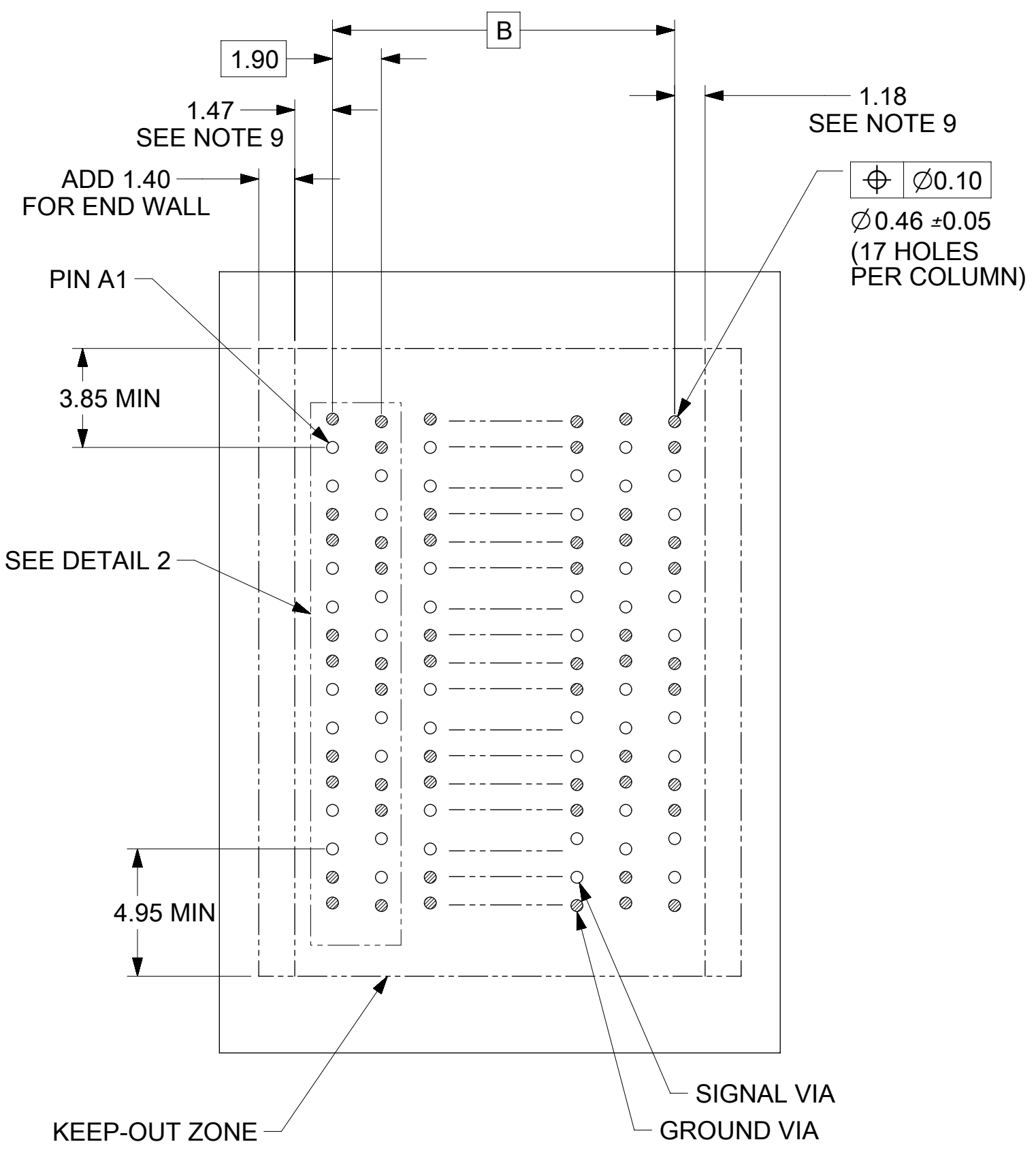


ODD COLUMN DIMENSIONS

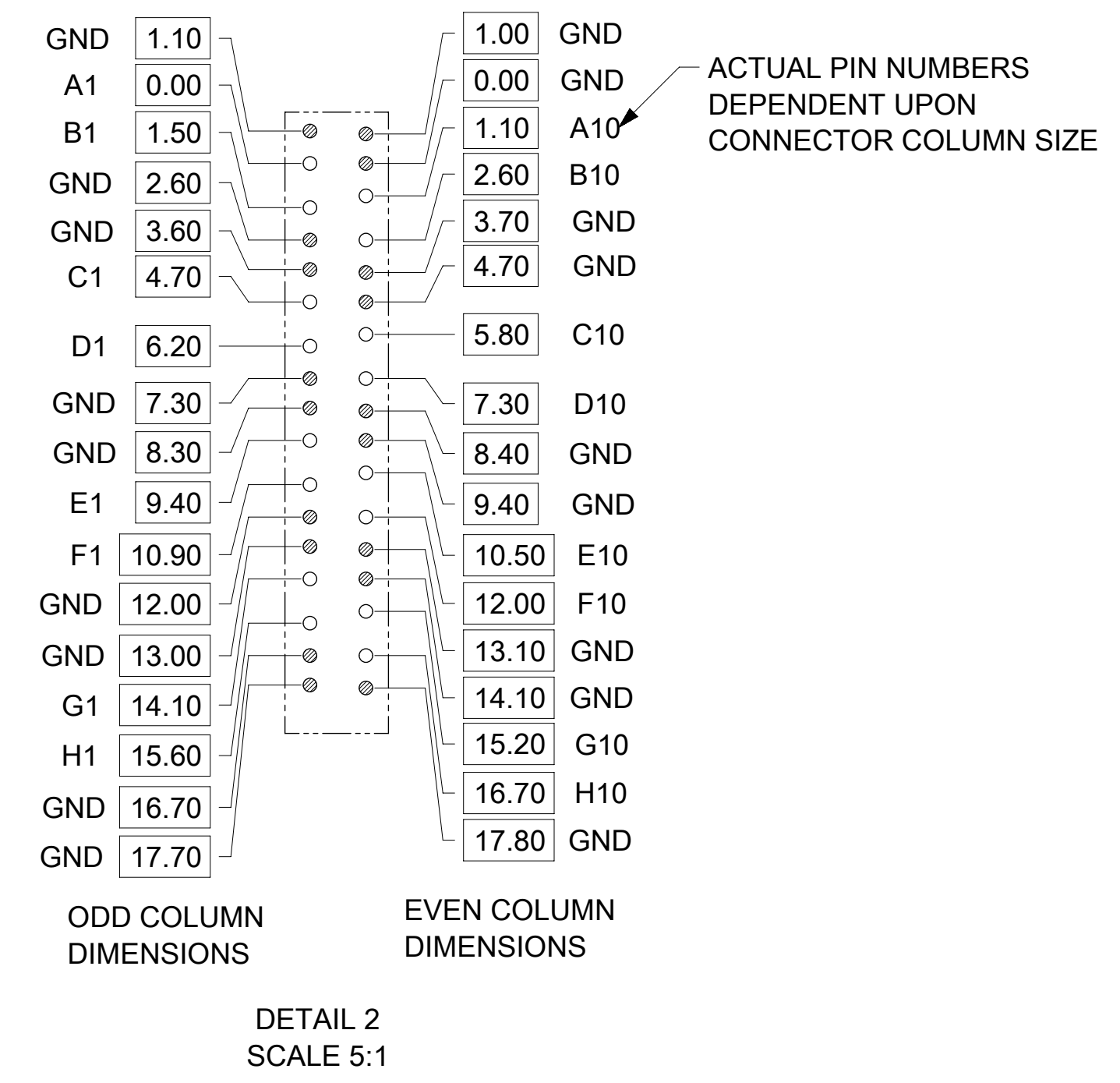
EVEN COLUMN DIMENSIONS

THIS DRAWING CONTAINS INFORMATION THAT IS PROPRIETARY TO MOLEX ELECTRONIC TECHNOLOGIES, LLC AND SHOULD NOT BE USED WITHOUT WRITTEN PERMISSION									
DIMENSION UNITS		SCALE		CURRENT REV DESC: UPDATE PK SPEC					
mm		NTS							
GENERAL TOLERANCES (UNLESS SPECIFIED)				EC NO: 625604				IMPEL 4 PAIR BACKPLANE UNGUIDED ASSEMBLY SALES DRAWING PRODUCT CUSTOMER DRAWING	
ANGULAR TOL ± 0.5°				DRWN: YLLIM 2019/10/11					
4 PLACES ±				CHK'D: HLG OH 2019/10/18					
3 PLACES ±				APPR: DWLEE01 2019/10/24				DOCUMENT NUMBER <b>SD-171315-0001</b>	
2 PLACES ± 0.13				INITIAL REVISION:					
1 PLACE ± 0.25				DRWN: BIANOWIAK 2012/09/18				DOC TYPE	
0 PLACES ±				APPR: BIANOWIAK 2012/11/12				DOC PART	
DRAFT WHERE APPLICABLE MUST REMAIN WITHIN DIMENSIONS				THIRD ANGLE PROJECTION		DRAWING		SERIES	
						C-SIZE		171315	
MATERIAL NUMBER		CUSTOMER		SHEET NUMBER		REVISION			
SEE TABLE		GENERAL MARKET		6 OF 7		A6			

DOCUMENT STATUS	P1	RELEASE DATE	2019/10/24	10:09:07
-----------------	----	--------------	------------	----------



BACKPLANE HOLE PATTERN  
FOR  $\varnothing 0.46$  PTH  
(CONNECTOR SIDE)



DETAIL 2  
SCALE 5:1

THIS DRAWING CONTAINS INFORMATION THAT IS PROPRIETARY TO MOLEX ELECTRONIC TECHNOLOGIES, LLC AND SHOULD NOT BE USED WITHOUT WRITTEN PERMISSION									
DIMENSION UNITS		SCALE		CURRENT REV DESC: UPDATE PK SPEC					
mm		NTS							
GENERAL TOLERANCES (UNLESS SPECIFIED)				EC NO: 625604				IMPEL 4 PAIR BACKPLANE UNGUIDED ASSEMBLY SALES DRAWING PRODUCT CUSTOMER DRAWING	
ANGULAR TOL		± 0.5°		DRWN: YLLIM		2019/10/11			
4 PLACES		±		CHK'D: HLGOH		2019/10/18			
3 PLACES		±		APPR: DWLEE01		2019/10/24		DOCUMENT NUMBER	
2 PLACES		± 0.13		INITIAL REVISION:				SD-171315-0001	
1 PLACE		± 0.25		DRWN: BIANOWIAK		2012/09/18		DOC TYPE	
0 PLACES		±		APPR: BIANOWIAK		2012/11/12		DOC PART	
DRAFT WHERE APPLICABLE MUST REMAIN WITHIN DIMENSIONS				THIRD ANGLE PROJECTION		DRAWING		SERIES	
						C-SIZE		171315	
DOCUMENT STATUS				MATERIAL NUMBER		CUSTOMER		SHEET NUMBER	
P1				SEE TABLE		GENERAL MARKET		7 OF 7	
RELEASE DATE				2019/10/24		10:09:07			