

PART NO.	A 28111-021	REV	ECO	DATE	APP
		A	104304	03-07-18	HV

# MATERIALS & SPECIFICATIONS

**HOUSING & BACKSHELL:**  
ALUMINUM 6061, NICKEL PLATED (500 MICRONS MINIMUM) PER SAE-AMS-2404.

**INSULATOR:**  
LIQUID CRYSTAL POLYMER (LCP) PER ASTM D5138

**CONTACT:**  
BERYLLIUM COPPER PER ASTM B194, C17200, GOLD PLATED PER ASTM B488, (HARD GOLD) TYPE II CODE C, CLASS 1.27

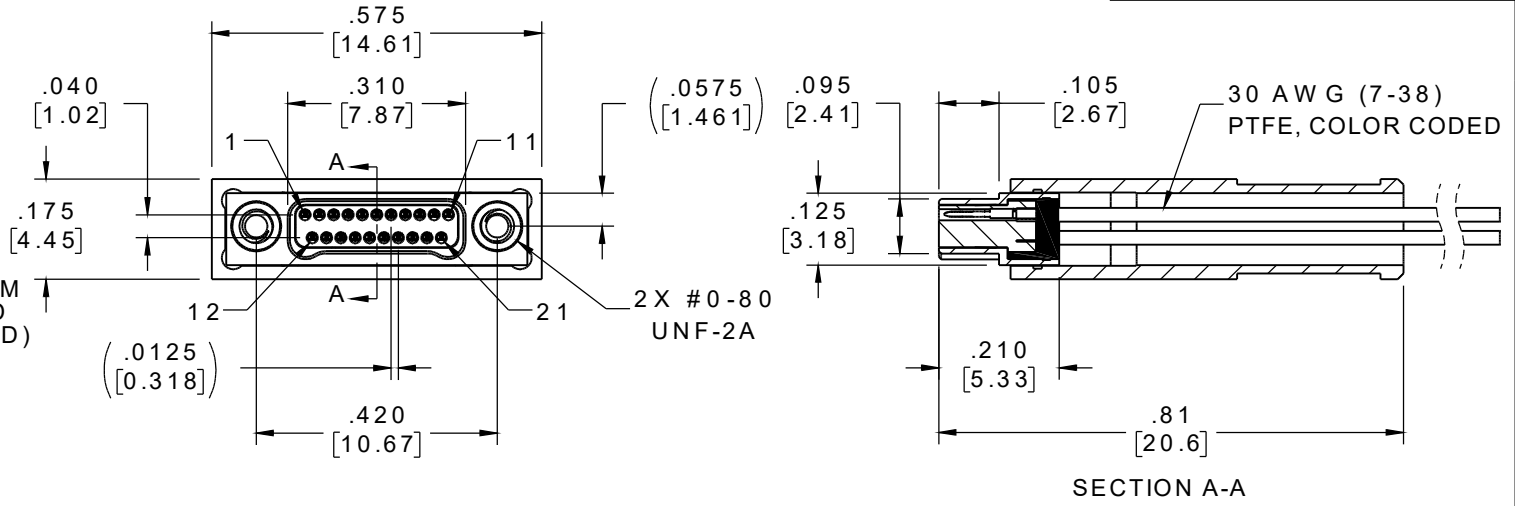
**WIRE:**  
NEMA HP3 TYPE ET, COLOR CODED IAW MIL-STD-681, SYSTEM 1, USING TEN SOLID REPEATING COLORS

**HARDWARE:**  
303 STAINLESS STEEL PER ASTM A582

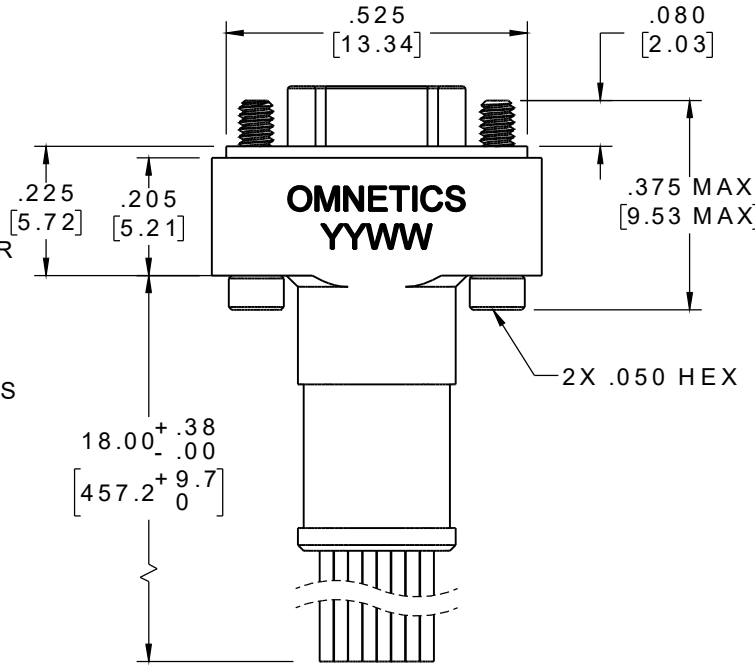
**CURRENT RATING:**  
1 AMP MAX PER MIL-DTL-32139

**CONTACT RESISTANCE:**  
71 MILLIOHM MAX (71mV DROP MAX) @ 1.0 AMPS PER MIL-DTL-32139

**PERFORMANCE:**  
PRODUCT FAMILY TESTED TO AND PASSED THE PERFORMANCE SPECIFICATIONS OF TABLE VIII OF MIL-DTL-32139.

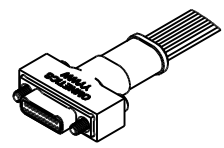


SECTION A-A



PIN #	COLOR
1, 11, 21	BLACK
2, 12	BROWN
3, 13	RED
4, 14	ORANGE
5, 15	YELLOW
6, 16	GREEN
7, 17	BLUE
8, 18	VIOLET
9, 19	GRAY
10, 20	WHITE

INTERNAL USE ONLY  
USE MFG LOADING  
PROCEDURE A28000-021



ACTUAL SIZE  
EXCLUDING WIRE LENGTH

NOTE:  
DIMENSIONS IN [ ] ARE IN MILLIMETERS UNLESS OTHERWISE NOTED AND ARE FOR REFERENCE ONLY

MNP/OSL/DW	THIRD ANGLE	THIS DRAWING CONTAINS CONFIDENTIAL AND PROPRIETARY INFORMATION WHICH IS THE PROPERTY OF OMNETICS CONNECTOR CORP. THIS DOCUMENT MAY NOT, IN WHOLE OR IN PART, BE DUPLICATED, OR DISCLOSED FOR ANY PURPOSE, WITHOUT WRITTEN PERMISSION FROM OMNETICS CONNECTOR CORP.		<p><b>CONNECTOR CORPORATION</b> 7260 COMMERCE CIRCLE EAST MINNEAPOLIS, MN 55432 WWW.OMNETICS.COM</p>	CAGE CODE 61873		
	-TOLERANCES- UNLESS OTHERWISE NOTED	DFTM. HV	DATE 03-02-18		TITLE:	DWG NO. A28111-021	
	DIMENSIONS IN INCHES	CHK'D.	DATE		(21) PIN MALE Bi-Lobe® CONNECTOR W/BACKSHELL	SHEET 1 OF 1	
	2 PL DEC ± .01 3 PL DEC ± .005 4 PL DEC ± .0005 ANGLES ± 1°	APP'D.	DATE			REV A	SCALE: 3:1