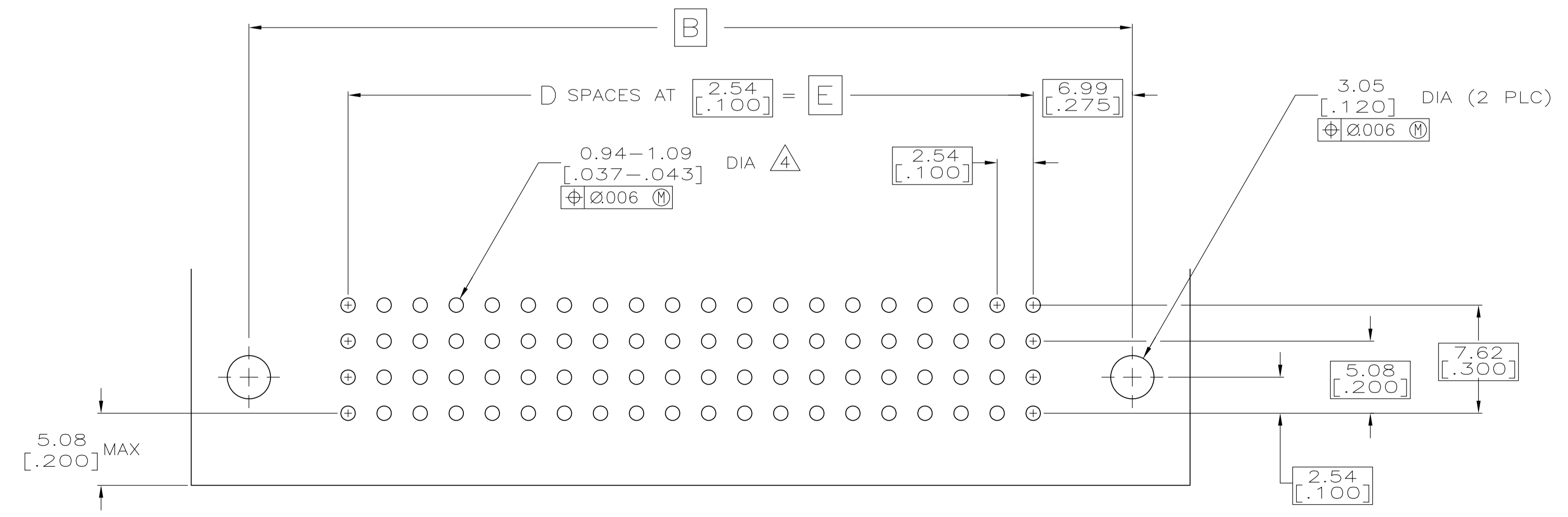
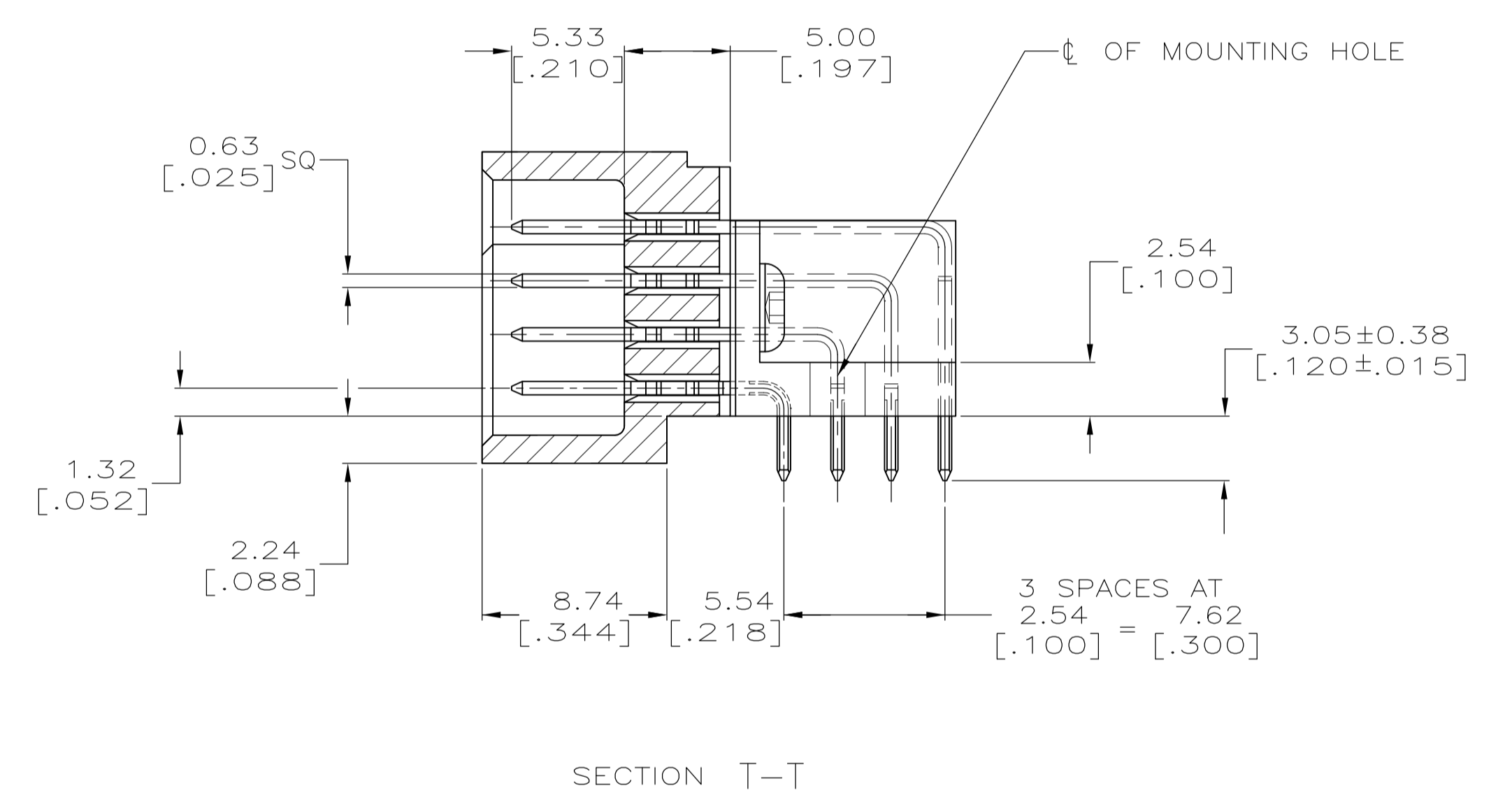
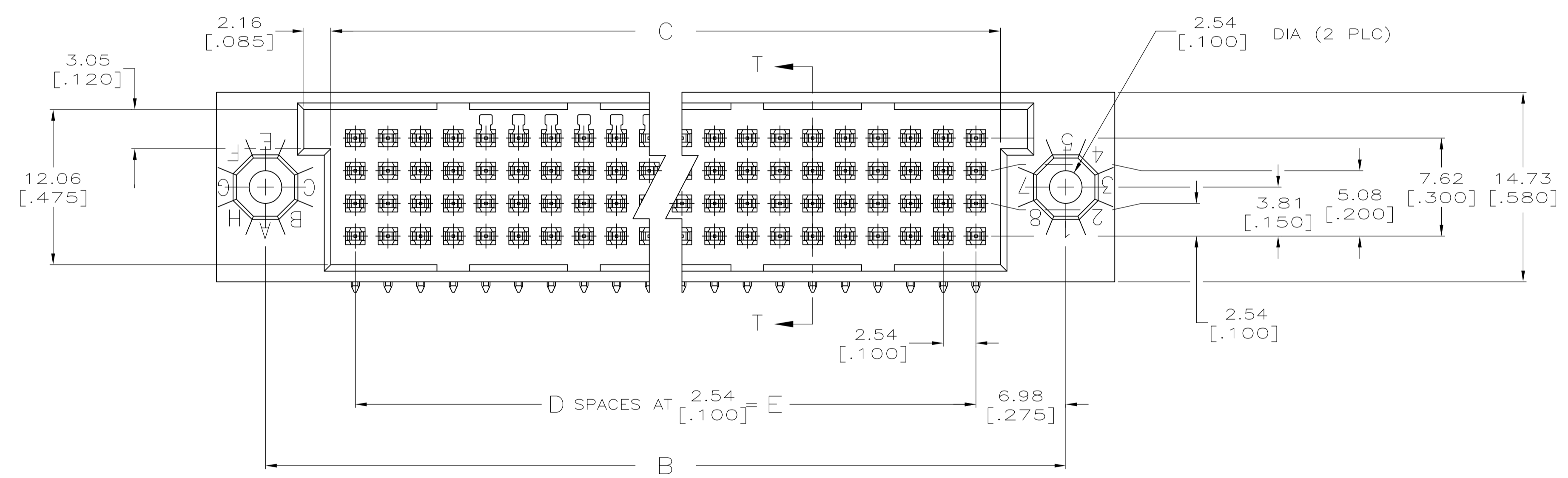
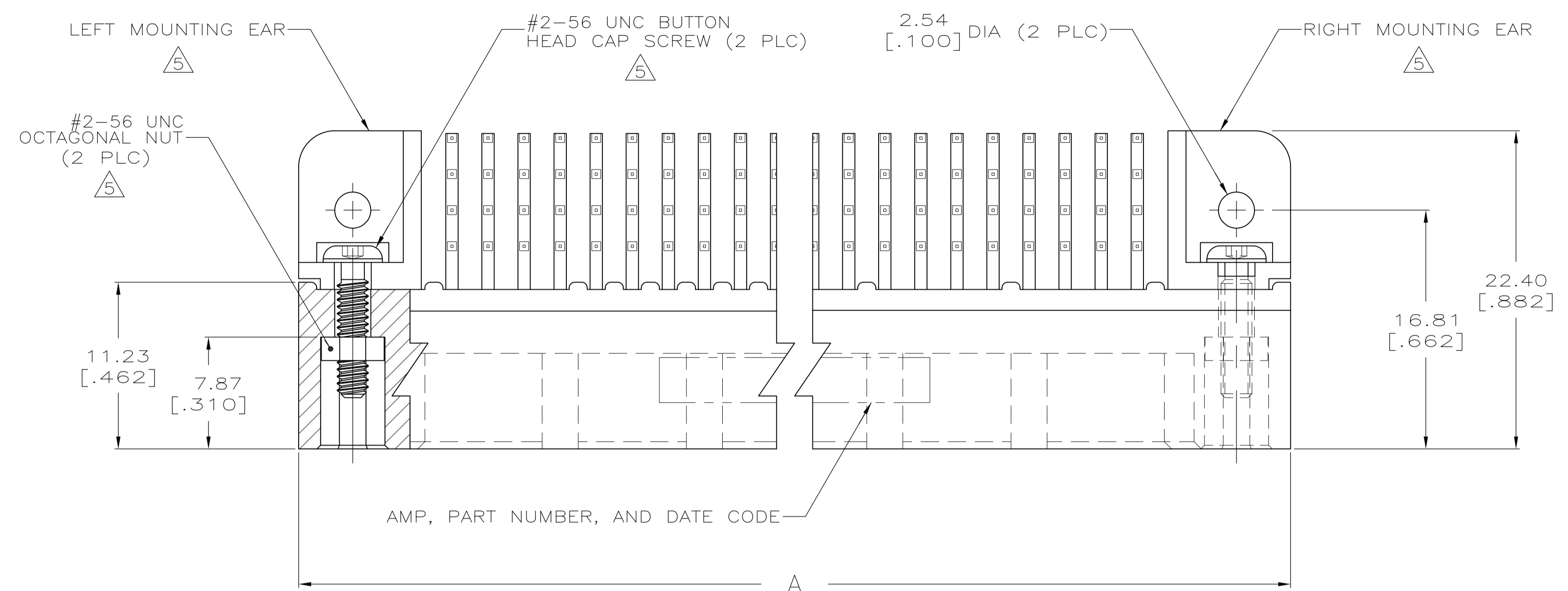


REVISIONS					
P	LTR	DESCRIPTION	DATE	DWN	APVD
V		REVISED PER ECO-15-015252	13NOV15	BJ	FY



RECOMMENDED P.C. BOARD LAYOUT

THIS DRAWING IS A CONTROLLED DOCUMENT.		DIN R.K. SEIFRIED 05/14/90	TE Connectivity	
DIMENSIONS: mm [INCHES]		CHK G.SKIPPER 01/22/92		
TOLERANCES UNLESS OTHERWISE SPECIFIED:		APVD G.SKIPPER 01/22/92	NAME ASSY,HDI,4 ROW,RIGHT ANGLE PIN	
0 PLC ± - 1 PLC ± - 2 PLC ± - 3 PLC ± 0.13 [.005] 4 PLC ± - ANGLES ± -		PRODUCT SPEC	3.05 [.120] LONG SOLDER TAILS	
MATERIAL		APPLICATION SPEC	SIZE A1	CAGE CODE 00779
FINISH		RESTRICTED TO	DRAWING NO. 533286	
CUSTOMER DRAWING		SCALE 4:1	SHEET 1 OF 2	REV V

REVISIONS					
P	LTR	DESCRIPTION	DATE	DMN	APVO
-		SEE SHEET 1	-	-	-

- ① HOUSING MATERIAL: THERMOPLASTIC, COLOR=BLACK.
- ② CONTACT MATERIAL: PHOSPHOR BRONZE.
- ③ FINISH:
 MATING AREA: MEETS THE PERFORMANCE REQUIREMENTS OF PRODUCT SPECIFICATION 108-9063; BASED ON TELCORDIA DR-1217-CORE APPLICATIONS IN UNCONTROLLED ENVIRONMENTS.
 SOLDER TAILS AREA: TIN-LEAD PLATED.
- ④ RIGHT ANGLE PIN RECOMMENDED P.C. BOARD HOLE SIZES ARE 0.94-1.09 [.037-.043]; RECOMMENDED PAD DIA IS 1.52 [.060].
- ⑤ MOUNTING EARS AND HARDWARE PURCHASED SEPARATELY, KIT PART NUMBER 533050-1.
- 6. DIMENSIONS IN BRACKETS ARE IN INCHES.
- ⑦ HOUSINGS WITH CENTER MOUNTING IS RECOMMENDED FOR ASSEMBLIES HAVING 75 CONTACTS PER ROW OR MORE.
- ⑧ PART NUMBER IS OBSOLETE.
- ⑨ OBSOLETE PARTS: OBSOLETE CIS STREAMLINING PER D.RENAUD/D.SINISI

⑧	144.78 [5.700]	-57	148.59 [5.850]	158.75 [6.250]	166.37 [6.550]	3-533286-5
⑧	134.62 [5.300]	-53	138.43 [5.450]	148.59 [5.850]	156.21 [6.150]	3-533286-4
	-	-	-	-	-	3-533286-3
	-	-	-	-	-	3-533286-2
	-	-	-	-	-	3-533286-1
	-	-	-	-	-	3-533286-0
	-	-	-	-	-	2-533286-9
	-	-	-	-	-	2-533286-8
	-	-	-	-	-	2-533286-7
	-	-	-	-	-	2-533286-6
	-	-	-	-	-	2-533286-5
	-	-	-	-	-	2-533286-4
	-	-	-	-	-	2-533286-3
	-	-	-	-	-	2-533286-2
	-	-	-	-	-	2-533286-1
	-	-	-	-	-	2-533286-0
	-	-	-	-	-	1-533286-9
	-	-	-	-	-	1-533286-8
	-	-	-	-	-	1-533286-7
	-	-	-	-	-	1-533286-6
⑧	93.98 [3.700]	-37	97.79 [3.850]	107.95 [4.250]	115.57 [4.550]	1-533286-5
⑧	210.82 [8.300]	-83	214.63 [8.450]	224.79 [8.850]	232.41 [9.150]	1-533286-4
⑧	200.66 [7.900]	-79	204.47 [8.050]	214.63 [8.450]	222.25 [8.750]	1-533286-3
⑧	187.96 [7.400]	74	191.77 [7.550]	201.93 [7.950]	209.55 [8.250]	1-533286-2
⑧	175.26 [6.900]	-69	179.07 [7.050]	189.23 [7.450]	196.85 [7.750]	1-533286-1
⑧	162.56 [6.400]	-64	166.37 [6.550]	176.53 [6.950]	184.15 [7.250]	1-533286-0
	149.86 [5.900]	59	153.67 [6.050]	163.83 [6.450]	171.45 [6.750]	533286-9
⑧	137.16 [5.400]	-54	140.97 [5.550]	151.13 [5.950]	158.75 [6.250]	533286-8
⑧	124.46 [4.900]	-49	128.27 [5.050]	138.43 [5.450]	146.05 [5.750]	533286-7
	111.76 [4.400]	44	115.57 [4.550]	125.73 [4.950]	133.35 [5.250]	533286-6
	99.06 [3.900]	39	102.87 [4.050]	113.03 [4.450]	120.65 [4.750]	533286-5
⑧	86.36 [3.400]	-34	90.17 [3.550]	100.33 [3.950]	107.95 [4.250]	533286-4
	78.74 [3.100]	31	82.55 [3.250]	92.71 [3.650]	100.33 [3.950]	533286-3
	73.66 [2.900]	29	77.47 [3.050]	87.63 [3.450]	95.25 [3.750]	533286-2
	60.96 [2.400]	24	64.77 [2.550]	74.93 [2.950]	82.55 [3.250]	533286-1
	E	D	C	B	A	POSN PART NUMBER

OBSOLETE

⑨ OBSOLETE

THIS DRAWING IS A CONTROLLED DOCUMENT.		DIN R.K. SEIFRIED 05/14/90		TE Connectivity	
DIMENSIONS: mm [INCHES]		TOLERANCES UNLESS OTHERWISE SPECIFIED:			
0 PLC ± - 1 PLC ± - 2 PLC ± - 3 PLC ± 0.13 [.005] 4 PLC ± - ANGLES ± -		CHK G.SKIPPER 01/22/92 APVO G.SKIPPER 01/22/92 PRODUCT SPEC		NAME ASSY,HDI,4 ROW,RIGHT ANGLE PIN 3.05 [.120] LONG SOLDER TAILS	
MATERIAL		FINISH		APPLICATION SPEC SIZE CASE CODE DRAWING NO WEIGHT 0 A1 00779C=533286	
① ②		③		CUSTOMER DRAWING SCALE 4:1 SHEET 2 OF 2 REV V	