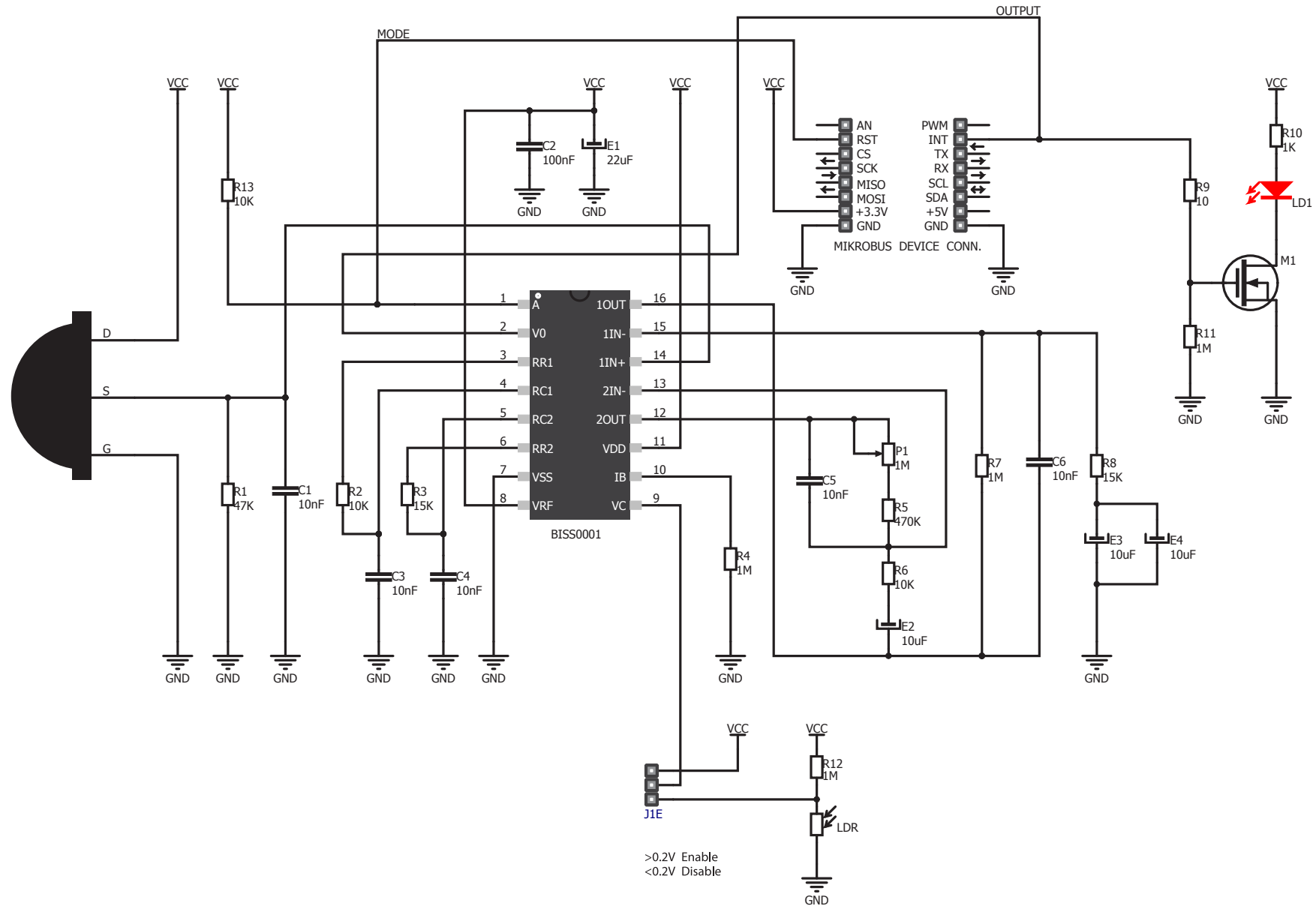


# MOTION click schematic v101



[www.mikroe.com](http://www.mikroe.com)