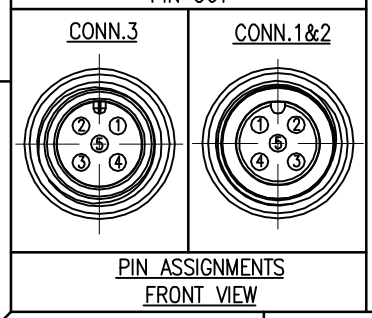


BLUE	5	5	5
WHITE	4	4	4
BLACK	3	3	3
RED	2	2	2
YELLOW	1	1	1
WIRE COLOR	CONN.1	CONN.2	CONN.3

NOTES:
 1. WATERPROOF RATE: IP67
 IP67: IMMERSED IN 1M WATER FOR 30 MINUTES
 2. ELECTRICAL CHARACTERISTICS
 TEMPERATURE RANGE: -40°C TO +100°C
 RATING: 60V AC/DC 5A
 DIELECTRIC WITHSTANDING VOLTAGE: 500V AC FOR ONE MINUTE



O	BODY	1	TPU(1164D)	BLACK
N	MALE PIN	5	BRASS	6u" GOLD PLATING OVER NICKEL PLATING
M	MALE SCREW NUT	1	BRASS	NICKEL PLATING 100u"
L	INNER MOLD	1	TPU	NATURAL
K	OVER MOLD	1	TPU	BLACK
J	ACETATE CLOTH	1	W10 *0.18T	BLACK
I	WIRE	3	UL1007 24AWG	BLUE
H	WIRE	3	UL1007 24AWG	WHITE
G	WIRE	3	UL1007 24AWG	BLACK
F	WIRE	3	UL1007 24AWG	RED
E	WIRE	3	UL1007 24AWG	YELLOW
D	O-RING	2	VITON	RED
C	FEMALE SCREW NUT	2	BRASS	NICKEL PLATING 100u"
B	FEMALE PIN	10	Phosphor Bronze	6u" GOLD PLATING OVER NICKEL PLATING
A	BODY	2	TPU(1164D)	BLACK
NO	DESCRIPTION	QTY	MATERIAL	PLATING & COLOR

UNLESS OTHERWISE SPECIFIED TOLERANCES		CnC Tech, LLC		
DECIMALS:	ANGLES:	TITLE	M12 T-ADAPTOR 5PIN(5A)	
X :±0.5	X :±2°	DWN	Shawn	PART NO. 500-303T-W05
X.X :±0.3	X.X :±1'	CHKD	JF	SCALE 2:1 UNIT: mm
X.XX :±0.2		APVD	Quan	SIZE: A3 SHEET: 1 OF 1 REV: B
CUSTOMER COPY				