

THIS DRAWING IS UNPUBLISHED.

RELEASED FOR PUBLICATION

© COPYRIGHT - TE Connectivity

ALL RIGHTS RESERVED.

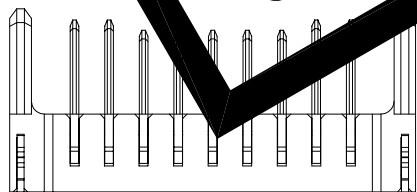
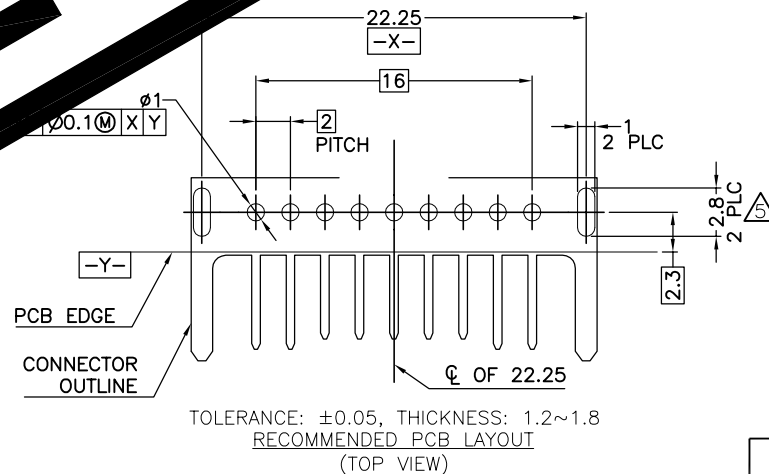
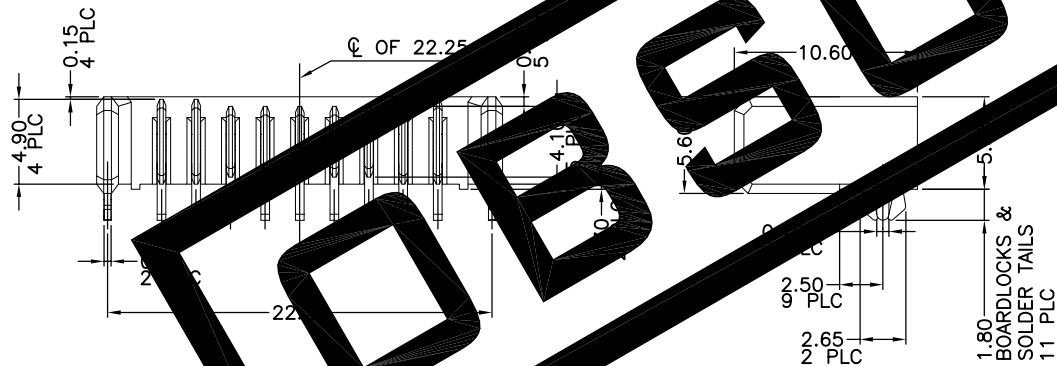
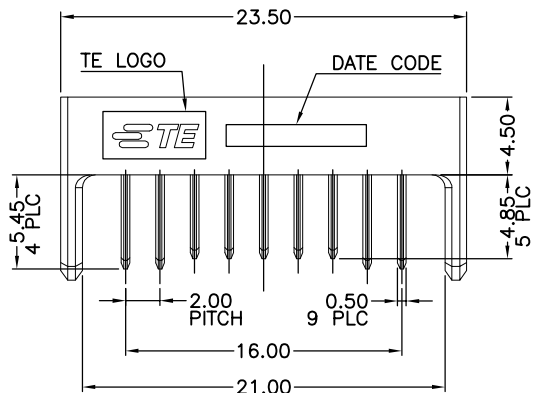
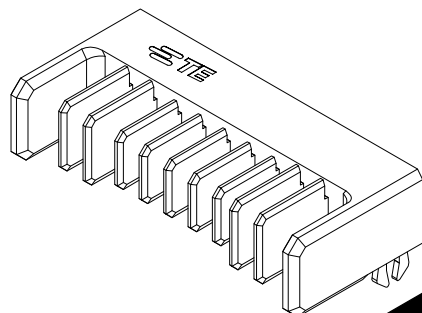
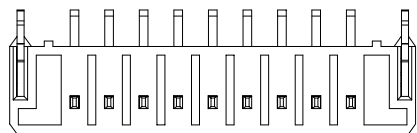
REVISIONS

P	LTR	DESCRIPTION	DATE	DWN	APVD
B		OBSOLETE	04DEC2017	AL	WH

NOTES:

1. MATERIAL:
HOUSING: LCP WITH 30% GF, UL94V-0, BLACK COLOR.
CONTACTS: BRASS.
BOARDLOCKS: BRASS.
2. FINISH:
CONTACTS: GOLD PLATE OVER 1.27μm [50μ"] MIN. NICKEL ON ENTIRE CONTACT.
BOARDLOCKS: 1.27μm [50μ"] MIN. NICKEL OVER 1.27μm [50μ"] MIN. NICKEL PLATED.
3. REFLOW SOLDER CAPABLE TO 260°C, IPC-6103-201, METHOD B, CONDITION B.
SUBSTANCE RESTRICTIONS FOR LOW HAZARD (BY WEIGHT):
 - BROMINE (Br) ≤ 900 PPM (0.09%)
 - CHLORINE (Cl) ≤ 900 PPM (0.09%)
 - TOTAL CONCENTRATION OF FLUORINE (F) AND CHLORINE (Cl) ≤ 1500 PPM (0.15%)

NO FURIN FOR BOARDLOCK.



OBSOLETE

THIS DRAWING IS A CONTROLLED DOCUMENT.		DWN A.WU 27DEC2011	201449-1	
		CHK S.CHEN 27DEC2011	PART NUMBER	
DIMENSIONS: mm		APVD W.KODAMA 27DEC2011	TE Connectivity	
TOLERANCES UNLESS OTHERWISE SPECIFIED:		PRODUCT SPEC 108-57848	2 MM PITCH BATTERY CONNECTOR, 9 POSITION, OFFSET, 5.35 HEIGHT, PLUG	
0 PLC ± -		APPLICATION SPEC	RESTRICTED TO	
1 PLC ± 0.3		WEIGHT 2.07 g	SIZE A3	CAGE CODE 00779
2 PLC ± 0.2		CUSTOMER DRAWING	DRAWING NO C=2041449	SCALE 1:1
3 PLC ± 0.15				SHEET 1 OF 2
4 PLC ± -				REV B
ANGLES ± 3'				
MATERIAL SEE NOTE	FINISH SEE NOTE			

4

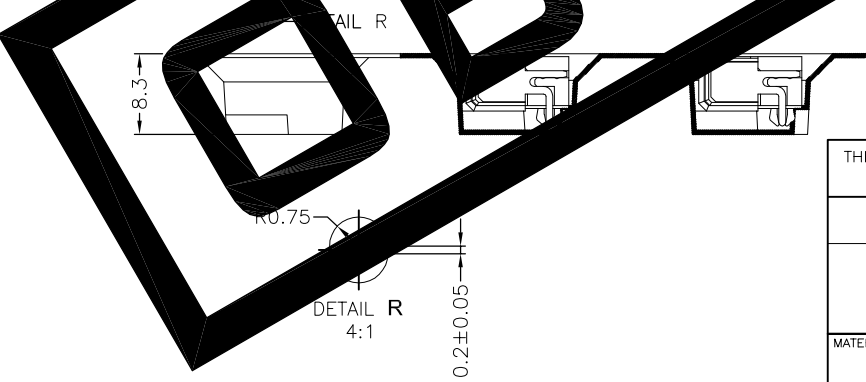
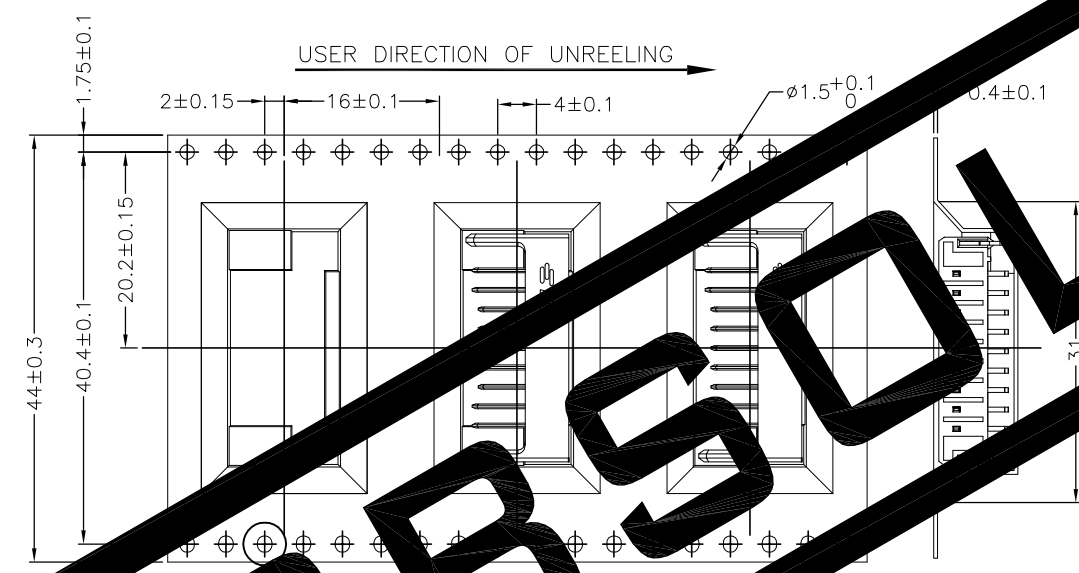
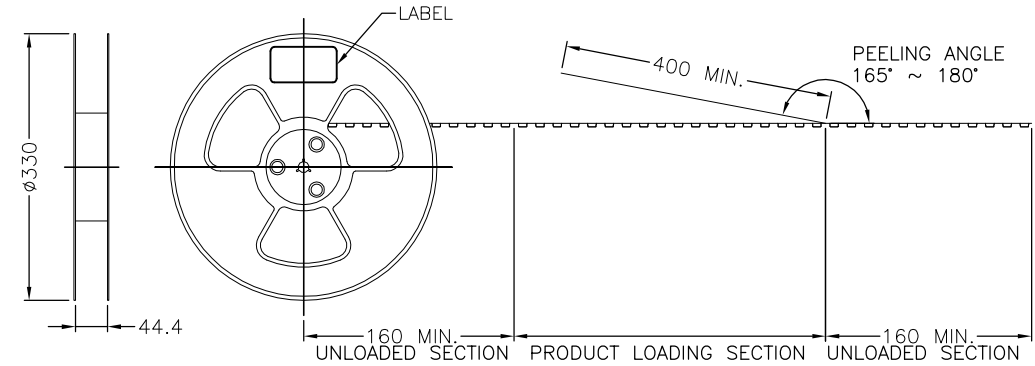
3

2

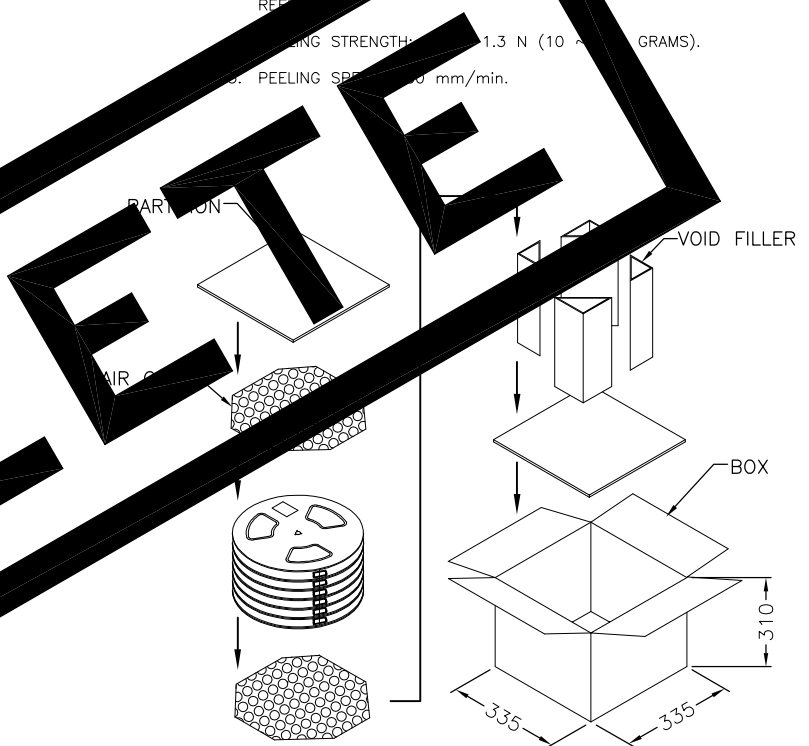
1

THIS DRAWING IS UNPUBLISHED. RELEASED FOR PUBLICATION
 © COPYRIGHT - TE Connectivity ALL RIGHTS RESERVED.

REVISIONS				
P	LTR	DESCRIPTION	DATE	APVD
-	-	SEE SHEET 1	-	-



NOTES:
 1. MATERIAL:
 BOX: FIBREBOARD, CORRUGATED, 1.5mm WALL.
 COVER TAP: TRANSPARENT CO.
 CARRIER: POLYESTER, TRANSPARENT CO.
 REEL: POLYESTER, TRANSPARENT CO.
 PEELING STRENGTH: 1.3 N (100 GRAMS).
 PEELING SPEED: 100 mm/min.



1800	6	300	3.72 Kg	7.06 Kg
PCS/BOX	REELS/BOX	PCS/TAPE	NET WEIGHT	GROSS WEIGHT

THIS DRAWING IS A CONTROLLED DOCUMENT.		DWN A.WU 27DEC2011	TE Connectivity	
		CHK S.CHEN 27DEC2011		
		APVD W.KODAMA 27DEC2011	NAME	
		PRODUCT SPEC 108-57848	2 MM PITCH BATTERY CONNECTOR, 9 POSITION, OFFSET, 5.35 HEIGHT, PLUG	
		APPLICATION SPEC	SIZE A3	RESTRICTED TO
		WEIGHT 2.07 g	CAGE CODE 00779	DRAWING NO C=2041449
MATERIAL SEE NOTE		FINISH SEE NOTE	SCALE 1:1	SHEET 2 OF 2
		CUSTOMER DRAWING		REV B