

PART NUMBER	ENGINEERING NUMBER	FINISH LENGTH
1300660183	CR4100A30M003	0.98' [0.3M]
1300660260	CR4100A30M005	1.64' [0.5M]
1300660184	CR4100A30M010	3.28' [1.0M]

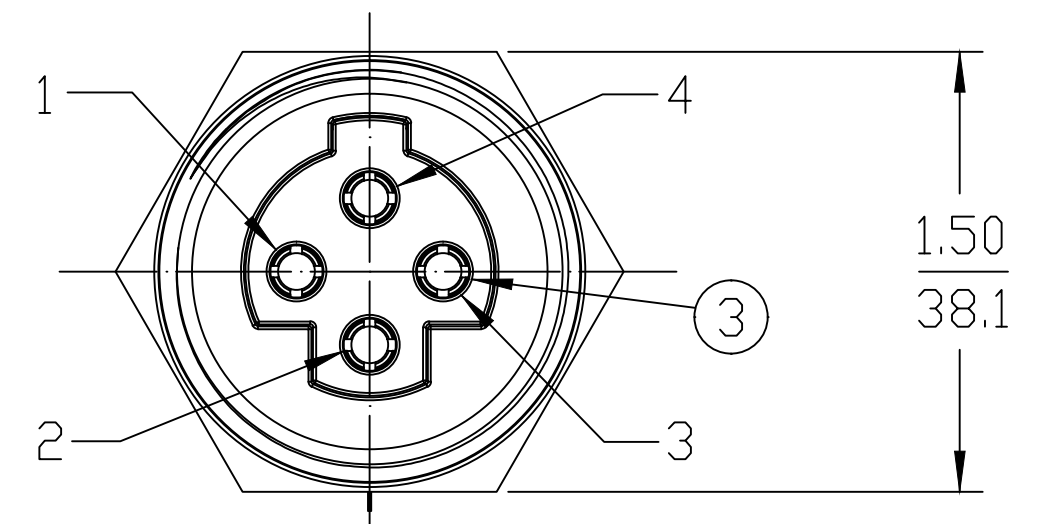
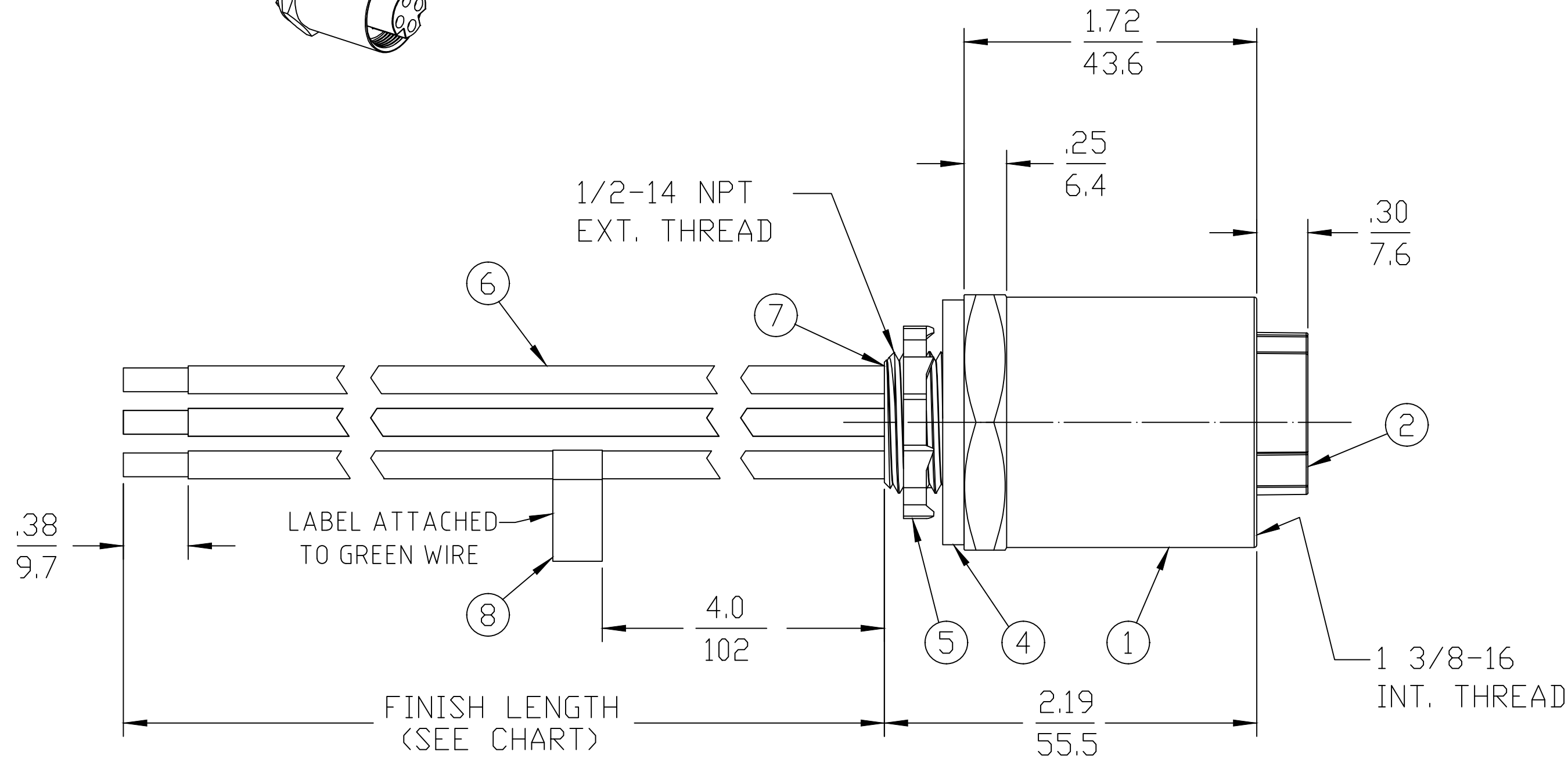
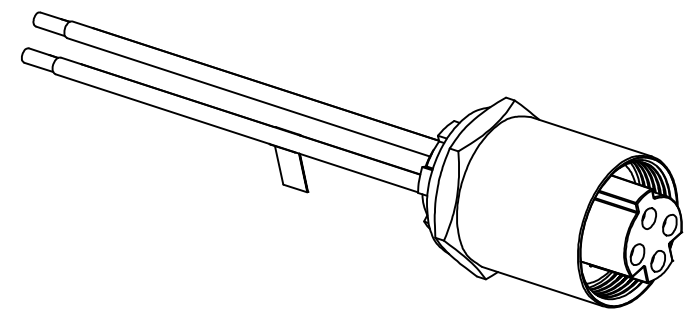
**PART NUMBER LEGEND**

**CR4100A30M003**

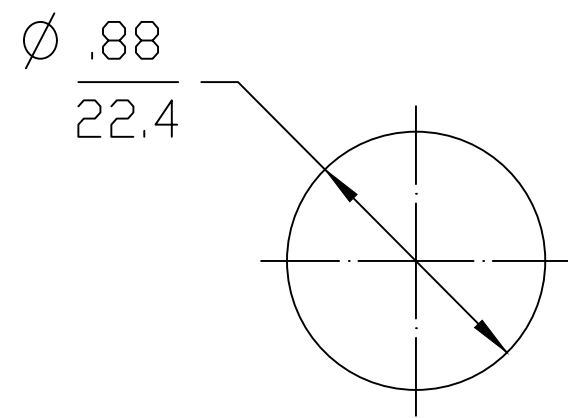
**LENGTH**  
M005 = 0.5 METER  
M010 = 1 METER  
M100 = 10 METER

**CABLE LENGTH TOLERANCES**

>.3M [1FT]:	+19mm-0 [+0.75in-0]
.3 - .9M [1 - 3FT]:	+44.5mm-0 [+1.75in-0]
.9 - 1.8M [3 - 6FT]:	+55.6mm-0 [+2.19in-0]
1.8 - 3.7M [6 - 12FT]:	+88.9mm-0 [+3.50in-0]
3.7 - 7.3M [12 - 24FT]:	+165.1mm-0 [+6.50in-0]
7.3-14.6M [24 - 48FT]:	+317.5mm-0 [+12.50in-0]
14.6 - 30.5M [48-100FT]:	+622.3mm-0 [+24.50in-0]
OVER 30M [100FT]	+2% OF FINISHED LENGTH



- NOTES:**
- MATERIAL: AS NOTED
  - FINISH: AS NOTED
  - ELECTRICAL:  
VOLTAGE: 4P: 500V PER IEC60664  
600V PER UL2237  
CURRENT: 32A
  - TEMP RATING: -20°TO +90°C
  - PROTECTION: IP67 (WHEN MATED)
  - UL LISTED FILE: E258922
  - ALL DIMS ARE FOR REFERENCE UNLESS NOTED OTHERWISE



TYPICAL KNOCKOUT

BLACK	1
GREEN	2
RED	3
WHITE	4

WIRING DIAGRAM

ITEM	QTY.	DESCRIPTION	MATERIAL	FINISH
8	1	FLAG LABEL	VINYL	YELLOW
7	A/R	POTTING	EPOXY	BLACK
6	4	WIRE, 10 AWG UL 1015	PVC JACKET	SEE WIRING DIAGRAM
5	1	LOCKNUT	STEEL	ZINC PLATED
4	1	GASKET	NEOPRENE	BLACK
3	4	SOCKET CONTACT	COPPER ALLOY	GOLD PLATED
2	1	FEMALE INSERT, 4 POLE	PVC	BLACK
1	1	RECEPTACLE SHELL	ALUMINUM	BLACK ANODIZED

UL 1015 WAS THHN	<b>QUALITY SYMBOL</b> 
EC NO: IPG2019-0166	
DRWN: JCAPPOZZ 2018/10/22	
CHKD: --- APPR: BWOODMAN2018/11/16	
<b>B</b>	DESCRIPTION

GENERAL TOLERANCES (UNLESS SPECIFIED)	
	mm INCH
4 PLACES	±--- ±---
3 PLACES	±--- ±---
2 PLACES	±0.05 ±---
1 PLACE	±0.10 ±INCH
ANGULAR ±.5°	
DRAFT WHERE APPLICABLE MUST REMAIN WITHIN DIMENSIONS	

DIMENSION STYLE	
RSTONE	
DRAWN BY	DATE
JCAPPOZZ	2018/10/22
CHECKED BY	DATE
----	----
APPROVED BY	DATE
BWOODMAN	2018/11/16
MATERIAL NO.	
SEE P/N CHART	
SIZE	C

SCALE	DESIGN UNITS	THIRD ANGLE PROJECTION	
4:1	METRIC		
TITLE			
BRAD POWER FEMALE, 1/2" NPT, 4 POLE RECEPTACLE ASSEMBLY			
MOLEX INCORPORATED		SHEET NO. 1 OF 1	
DOCUMENT NO. SD-130066-063			
THIS DRAWING CONTAINS INFORMATION THAT IS PROPRIETARY TO MOLEX INCORPORATED AND SHOULD NOT BE USED WITHOUT WRITTEN PERMISSION			

REF. THIS DRAWING SUPERSEDES COCREATE REV. A