

Precision Test Adapters

1.0 mm(F) to 1.0 mm(F)

withwave

Versatile RF & MW Test Solutions

Withwave's Precision Test Adapters are designed based on precision microwave interconnection technologies. **This 1.0 mm(F) to 1.0 mm(F)** adapter is manufactured to precise microwave specifications and constructed with female gender on side and female gender side 2. The precision microwave connector interfaces ensure an excellent microwave performance up to 110 GHz



■ Features

- Frequency range : DC to 110 GHz
- VSWR : 1.3 : 1(Max) @ 110 GHz
- Stainless steel (passivated)

■ Specification

Scope	Specification	AD00F00FS1
Electrical	Impedance(Ohm)	50
	Operation Freq.(GHz)	DC to 110 GHz
	VSWR (Max)	1.3 : 1 @ 110 GHz
Material	Dielectric	Special dielectric
	Center Contact	Beryllium copper with gold plated
	Body	Passivated Stainless Steel

* RoHS Compliant

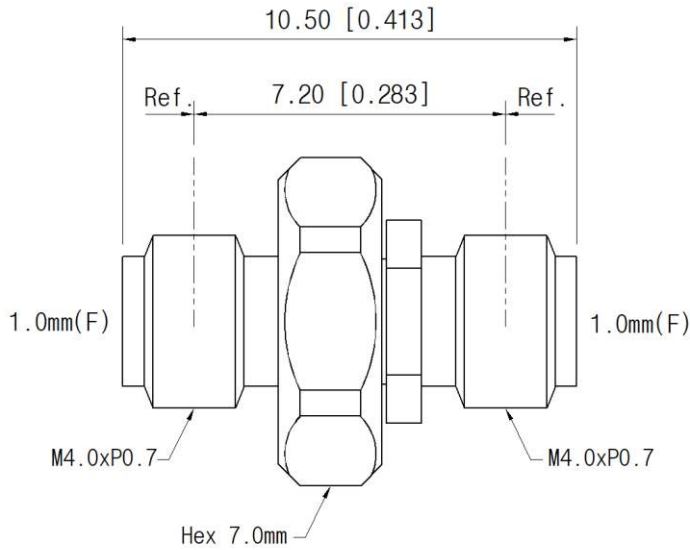
Precision Test Adapters

1.0 mm(F) to 1.0 mm(F)

■ Drawing

Part No.: AD00F00FS1

Unit : mm[inch]



■ Test Result

▪ Frequency : 10 MHz to 110 GHz

