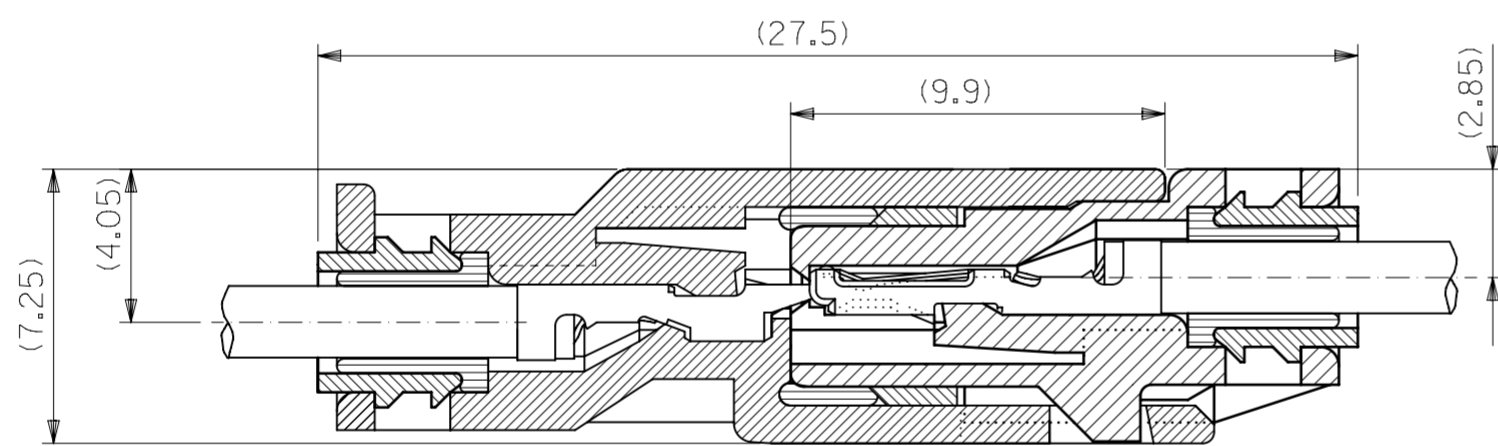
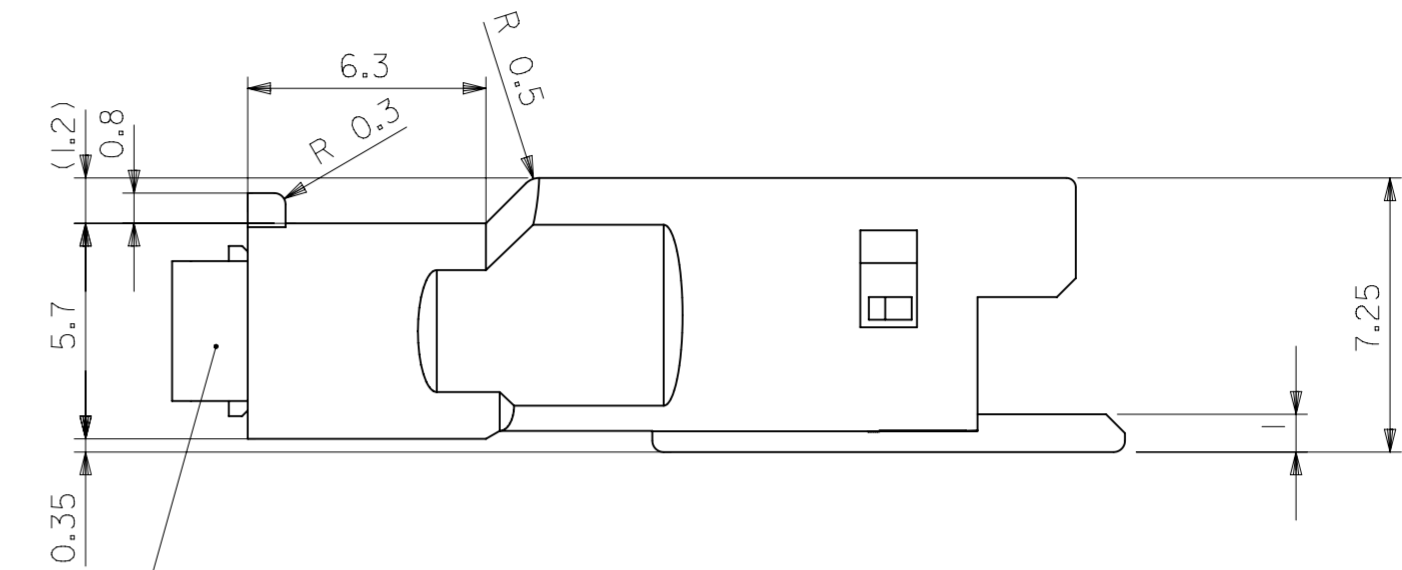
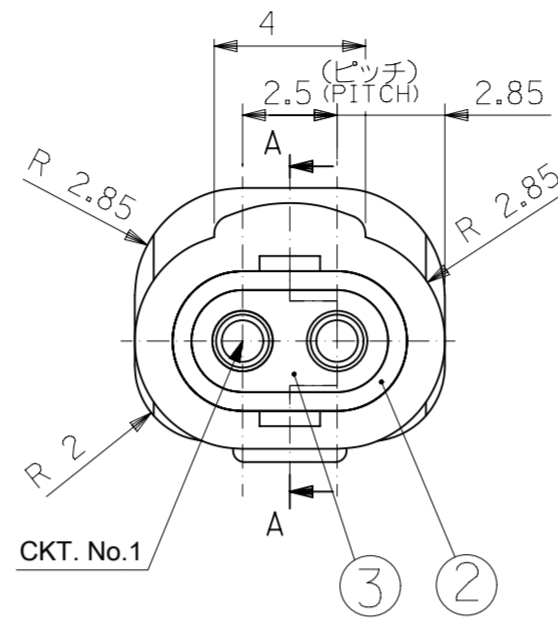
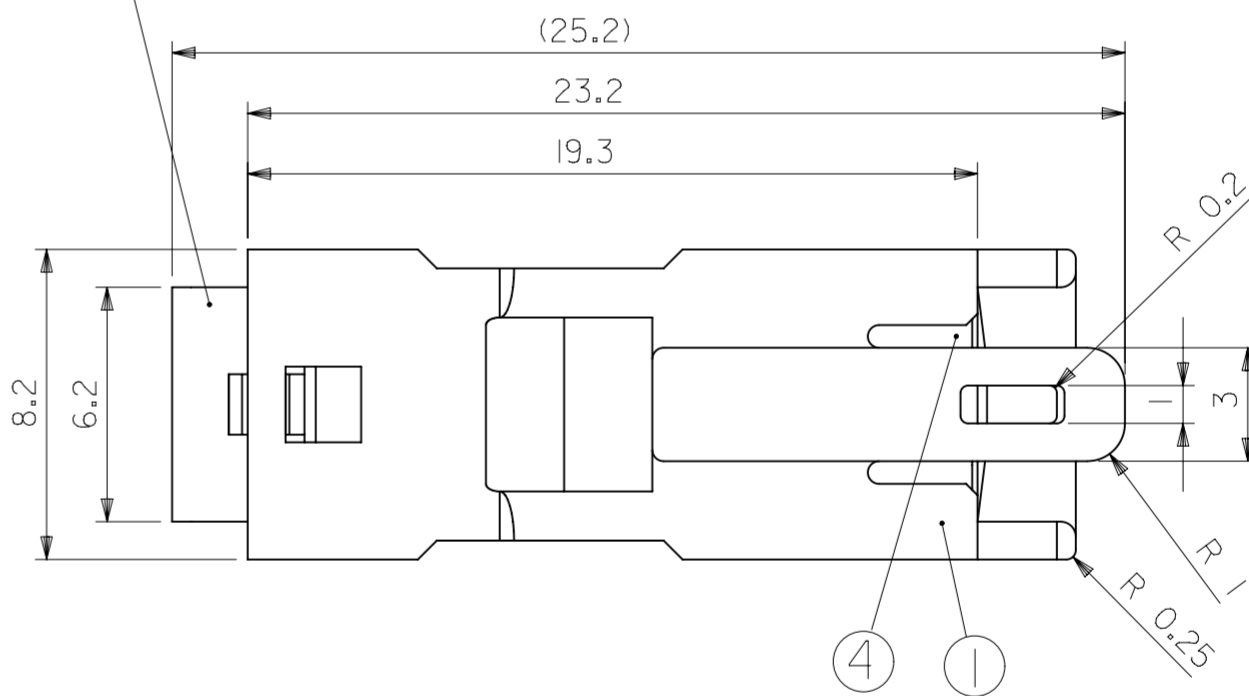


断面A-A (端子装着状態図)
SECT.A-A (TERM.ASSEMBLY DRAWING)



嵌合状態図
FULLY MATED CONDITION



注記
NOTE

- 適合端子 : 50147-8*00
APPLICABLE TERMINAL : 50147-8*00
- 嵌合相手 : 52213-021*
MATES WITH : 52213-021*
- 製品仕様書 : PS-52213-003
PRODUCT SPECIFICATION : PS-52213-003
- 取扱説明書 : AS-52213-001
APPLICATION SPECIFICATION : AS-52213-001

黒 BLACK	52266-0211	2
ハウジングの色 HSG COLOR	製品番号 MATERIAL NO.	極数 No. OF CKT.

molex

2.5 MINI WATERPROOF
CONN PLUG HSG ASSY (2 CKT.)

PRODUCT CUSTOMER DRAWING

THIS DRAWING CONTAINS INFORMATION THAT IS PROPRIETARY TO MOLEX ELECTRONIC TECHNOLOGIES, LLC AND SHOULD NOT BE USED WITHOUT WRITTEN PERMISSION		CURRENT REV DESC:		DOCUMENT NUMBER		DOC TYPE		DOC PART		REVISION	
DIMENSION UNITS: mm		SCALE: 5:1		SD-52266-003		PSD		001		F2	
GENERAL TOLERANCES (UNLESS SPECIFIED)		GENERAL TOLERANCES (UNLESS SPECIFIED)		EC NO: 174283		DRWN: RHORI		2018/03/27		SERIES	
10 UNDER ±0.2		ANGULAR TOL ± 3.0°		CHK'D: HKOMATSU		2018/03/29		APPR: TOSADA		2018/03/29	
10 OVER 30 UNDER ±0.25		4 PLACES ± 0.2		INITIAL REVISION:		DRWN: SINAKA		2011/11/28		MATERIAL NUMBER	
30 OVER ±0.3		3 PLACES ± 0.25		APPR: MAYAMAMOTO		2014/12/02		CUSTOMER		GENERAL MARKET	
ANGULAR ±3°		2 PLACES ± 0.3		DRAFT WHERE APPLICABLE MUST REMAIN WITHIN DIMENSIONS		THIRD ANGLE PROJECTION		DRAWING		A2-SIZE	
INITIAL REVISION:		1 PLACE ±		DRWN: Y.ASHIZAWA		1990/04/29		SERIES		52266	
CHECK M.SAKANO		0 PLACES ±		APPR: M.ENOMOTO		1994/03/02		MATERIAL NUMBER		SEE CHART	
APPR: M.ENOMOTO		DRAFT WHERE APPLICABLE MUST REMAIN WITHIN DIMENSIONS		SERIES		52266		CUSTOMER		GENERAL MARKET	
DOCUMENT STATUS		P1		RELEASE DATE		2018/03/29		11:20:55		SHEET NUMBER	
11:20:55		11		10		9		8		7	

材料	色	名称	①
シリコンゴム	黄	SEAL	⑤
ポリエステル (15%G.F.)	黒	SEAL STOPPER	④
シリコンゴム	黄	WIRE END SEAL	③
ポリエステル (15%G.F.)	黒	CAP	②
ポリエステル (15%G.F.)	表参照	PLUG HOUSING	①

構成部品
COMPONENTS

DOCUMENT STATUS	P1	RELEASE DATE	2018/03/29	11:20:55
-----------------	----	--------------	------------	----------