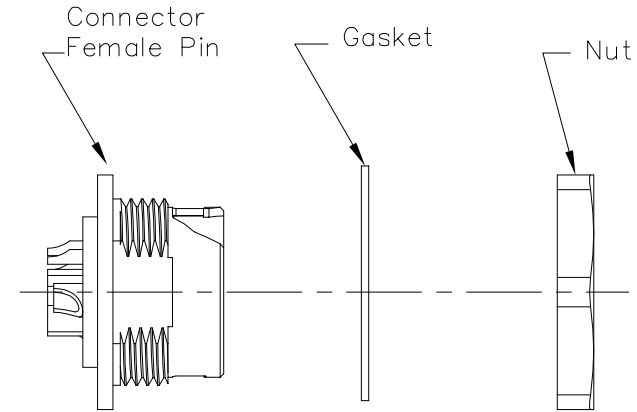
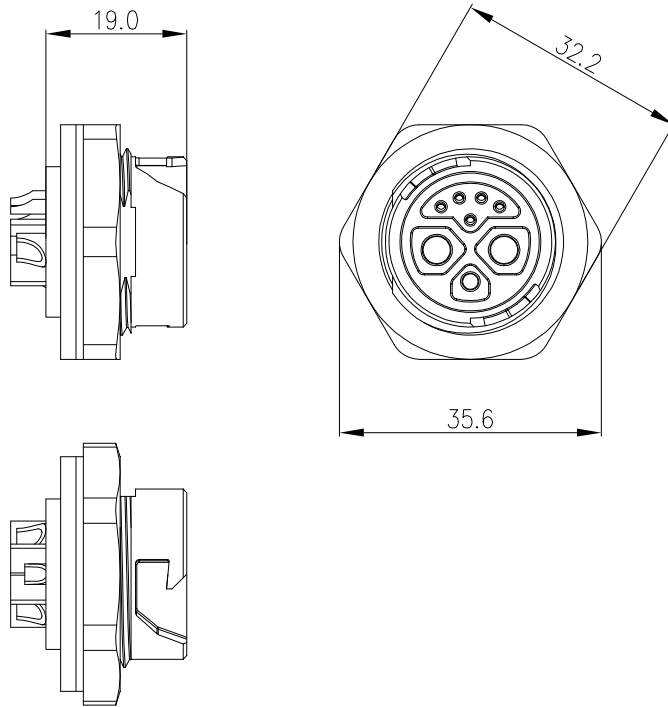
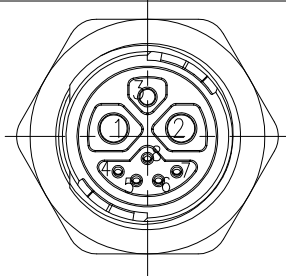


REV.	ECN NO.	DESCRIPTION	SIGN	DATE
C1	N/A	INITIAL DRAWING	Liu	2019/08/08

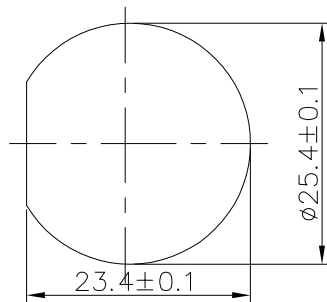


Specification:

- 1.Operation Temperature: $-45^{\circ}\text{C}\sim 105^{\circ}\text{C}$.
- 2.Insulation Resistance: $100\text{M}\Omega$ at DC500V.
- 3.Contact Resistance: $<10\text{m}\Omega$.
- 4.Withstand Voltage: 1500V AC, 1min
- 5.Operating Current: 50A+15A+5A
- 6.Operating Voltage: AC 250V
- 7.Waterproof Rate: IP67 (Mated)
- 8.Housing: Nylon, Black
- 9.Female Pin: Copper Alloy, Gold Plated
- 10.Gasket: Silicon gray
- 11.Panel Nut: Nylon, Black
- 12.RoHS Compliant.
- 13.Mating Cap P/N: 806-00058-00



2+1+5 Pos



RECOMMENDED PANEL CUT-OUT
Panel Thickness MAX 2mm

Pin Assignments
Front View

UNIT:mm	
TOLERANCE	
.X	± 0.25
.XX	± 0.15
.XXX	± 0.05
ANGLES	$\pm 1^{\circ}$

DESCRIPTION Large Series 2+1+5 Pos Push Lock Front Mount With Female Pin	
SCALE: N/A	SHEET 1 OF 1
REV. C1	SIZE A4 * : Inspection Item

CHOGORI

PART NO	24305635-01	DRAWN BY	Liu	DATE	2019/08/08
DWG NO		CHECKED BY	Mo	DATE	2019/08/08
CUSTOMER		APPROVED BY		DATE	

THIS INFORMATION IS CONFIDENTIAL AND IS DISCLOSED TO YOU ON CONDITION THAT NO FURTHER DISCLOSURE IS MADE BY YOU TO OTHER THAN CHOGORI PERSONNEL WITHOUT AUTHORIZATION FROM CHOGORI CORP.