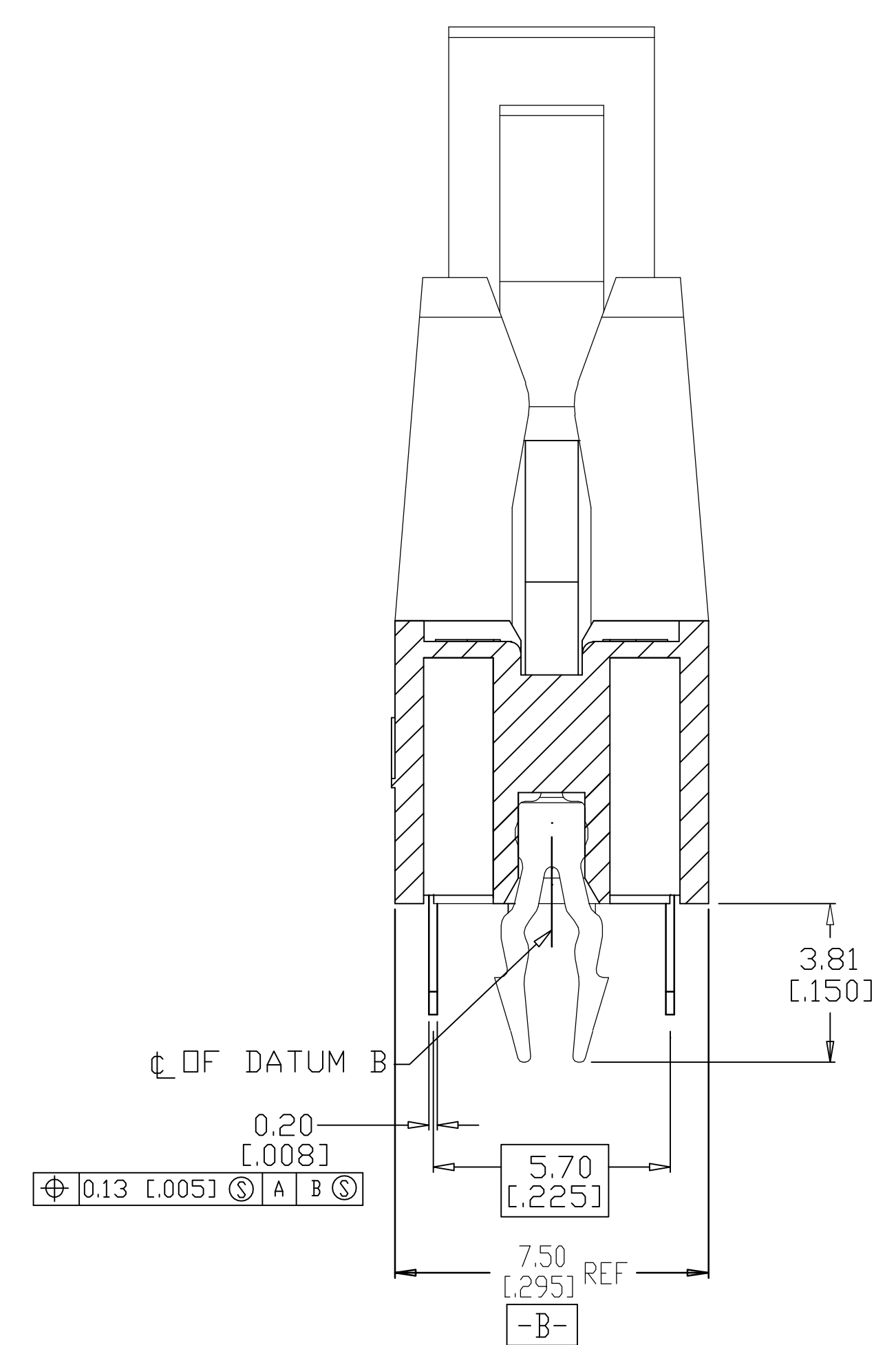


SECTION Y-Y
 CIRCUITS 1 AND 93
 SCALE 8:1

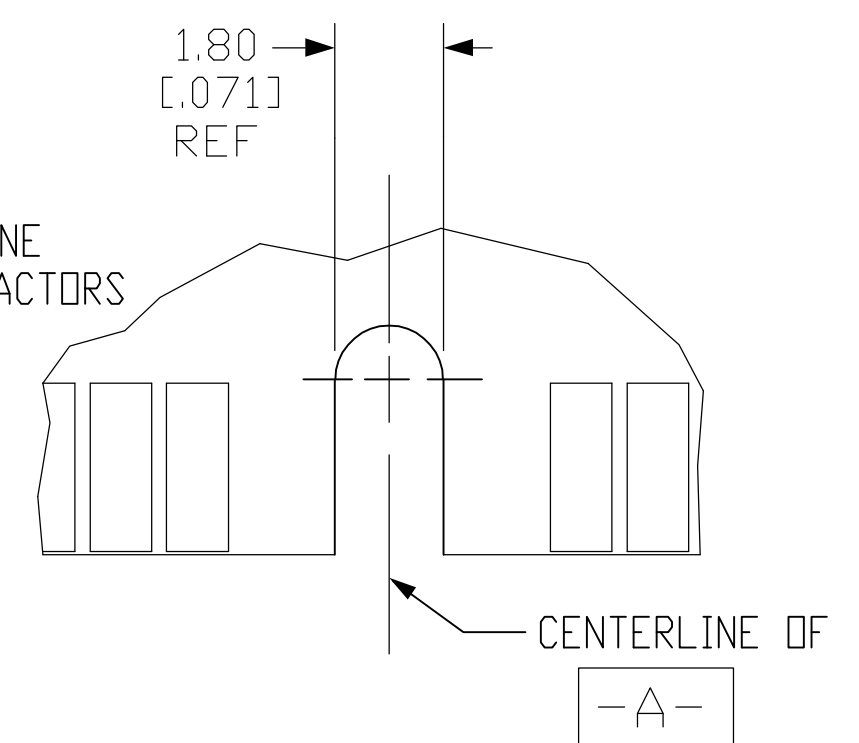
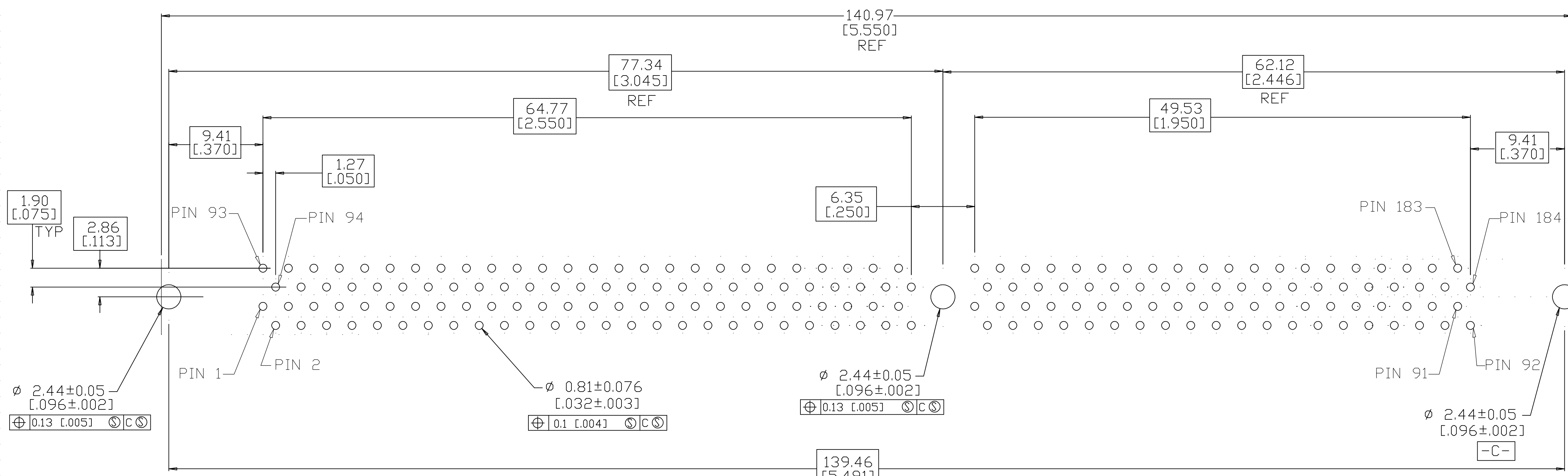


SECTION X-X
 SCALE 8:1

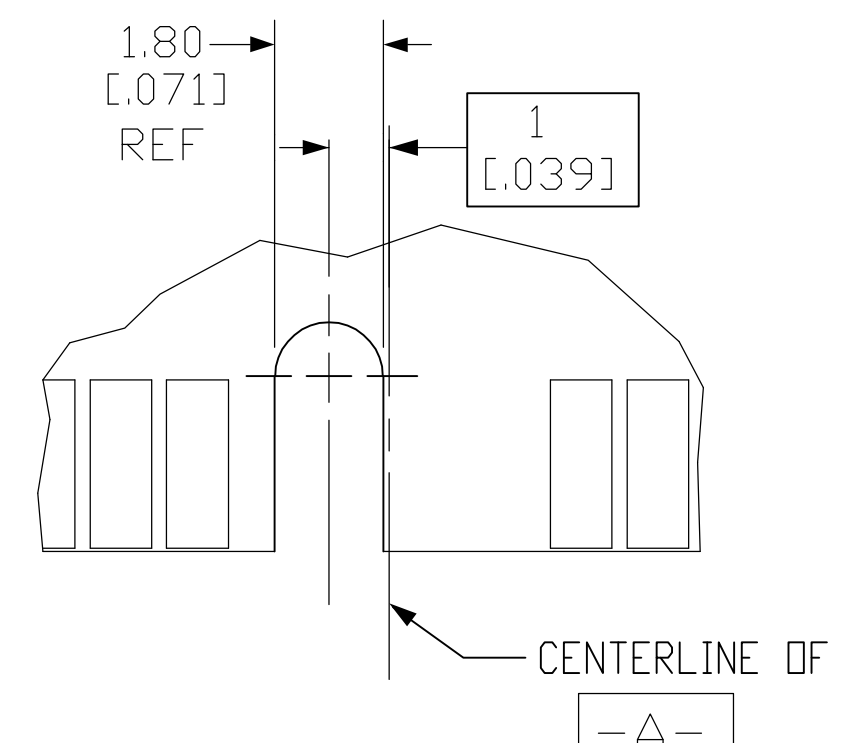
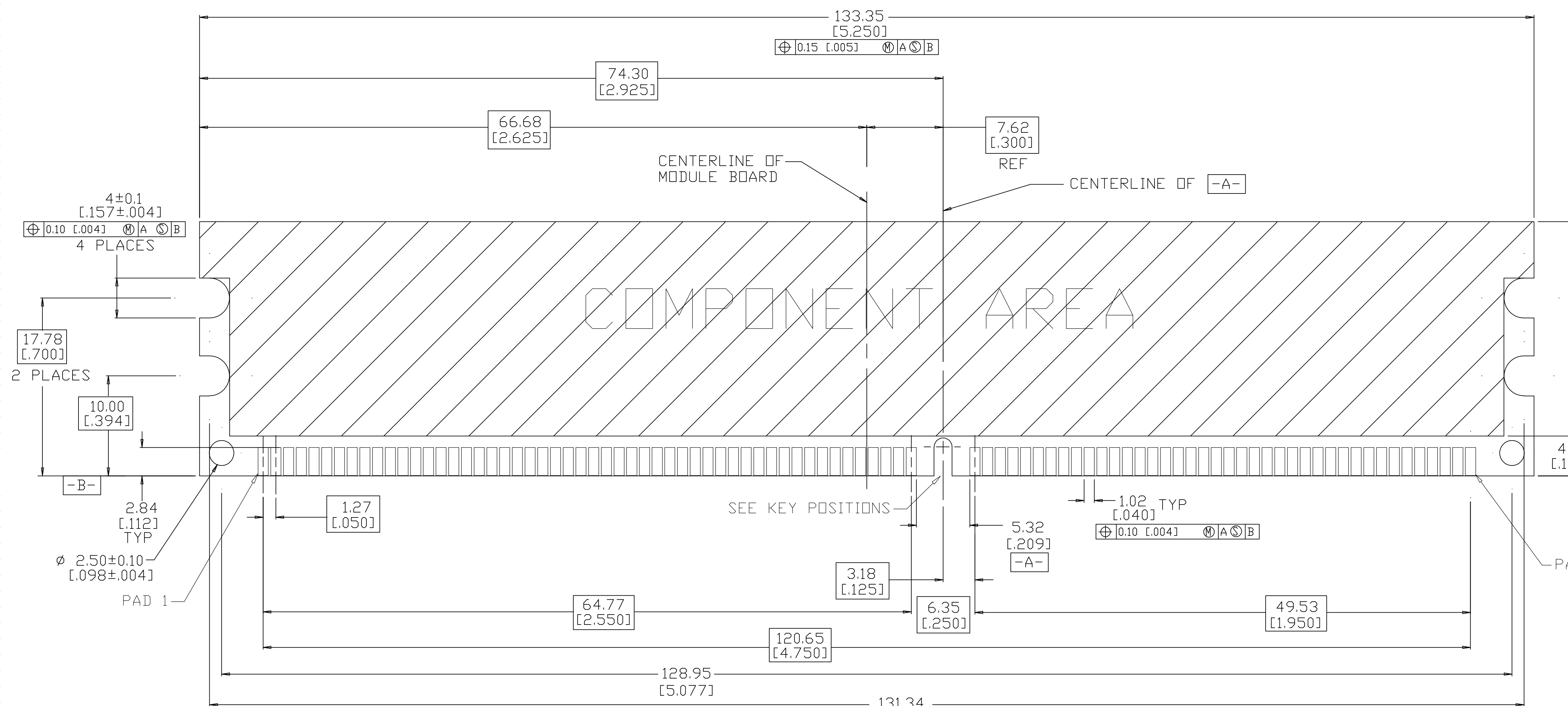
MATERIAL
 HOUSING: GLASS FILLED HIGH TEMPERATURE NYLON, COLOR: BLACK
 CONTACT: PHOS. BRONZE, C51100, TEMPER H06.
 EXTRACTOR MATERIAL: GLASS FILLED HIGH TEMPERATURE NYLON, COLOR: NATURAL, OFF-WHITE.
 RETENTION POST: STAINLESS STEEL, AMP 100-309.

FINISH
 CONTACT:
 NICKEL PLATE ALL OVER 0.00127-0.0019 [0.000050-.000075] THICK
 PER AMP SPEC 112-25-2.
 GOLD PLATE IN INTERFACE AREA 0.00076 [0.000030] MIN THICK
 PER AMP SPEC 112-162-5.
 MATTE TIN PLATE IN SOLDER TAIL AREA .00381-.00635 [0.000150-.000250] THICK
 PER AMP SPEC 112-65-1.

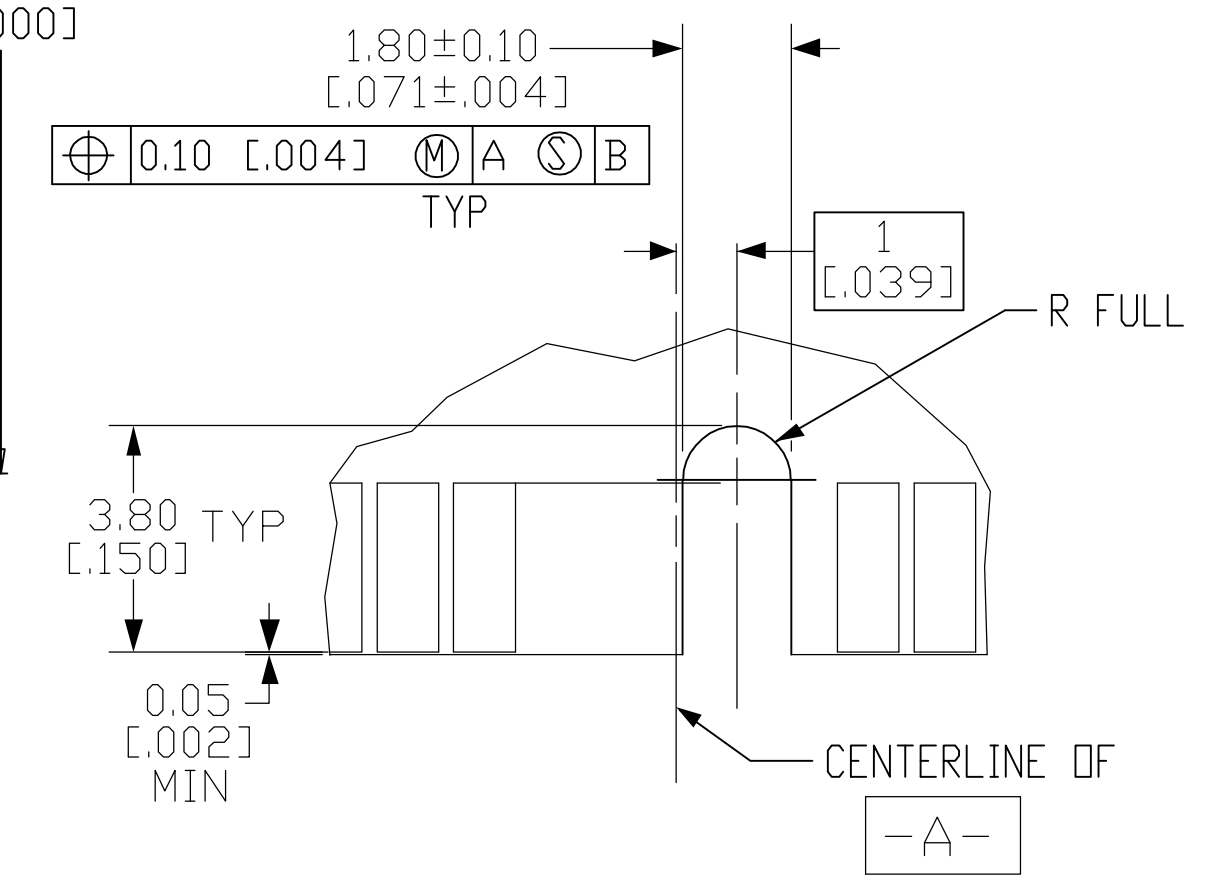
2.79 [0.110]	DETAIL B	184 POSN. DIMM2P, 2.5V, POST-PLATED CONTACTS	5390486-1
SOLDERTAIL LENGTH DIM "A"	KEY POSITION	DESCRIPTION	PART NUMBER
THIS DRAWING IS A CONTROLLED DOCUMENT.		DWN: R. RICHARDSON 15AUG05 CHK: M. YEOMANS 15AUG05 APVD: M. YEOMANS 15AUG05 Tyco Electronics Corporation Harrisburg, Pa 17105-3608	
DIMENSIONS: mm [INCHES] TOLERANCES UNLESS OTHERWISE SPECIFIED: 0 PLC ± - 1 PLC ± - 2 PLC ± 0.13 [0.005] 3 PLC ± - 4 PLC ± - ANGLES ± -		PRODUCT SPEC: 108-1753 APPLICATION SPEC: 114-1115 WEIGHT: - CUSTOMER DRAWING	
MATERIAL: 1 FINISH: 2		NAME: SOCKET ASSEMBLY, DIMM2P 184 PIN, DDR, 30 MICROINCH GOLD PLATED CONTACTS SIZE: A1 CAGE CODE: 00779 DRAWING NO: 5390486 RESTRICTED TO: - SCALE: 1:1 SHEET 1 OF 2 REV A	



DETAIL A
SCALE 8:1



DETAIL B
SCALE 8:1



DETAIL C
SCALE 8:1

KEY POSITIONS

RECOMMENDED MODULE LAYOUT
 SEE JEDEC SPEC MO-206 FOR COMPLETE MODULE DETAILS
 1.27±0.10 [0.050±0.004] THICK ACROSS CONTACT PADS

THIS DRAWING IS A CONTROLLED DOCUMENT.		DWN: R. RICHARDSON 15AUG05	tyco	Tyco Electronics Corporation
		CHK: M. YEOMANS 15AUG05	Electronics	Harrisburg, Pa 17105-3608
DIMENSIONS: mm [INCHES]		APVD: M. YEOMANS 15AUG05	NAME: SOCKET ASSEMBLY, DIMM2P	
TOLERANCES UNLESS OTHERWISE SPECIFIED:		PRODUCT SPEC: 108-1753	184 PIN, DDR,	
0 PLC ±		APPLICATION SPEC: 114-1115	30 MICROINCH GOLD PLATED CONTACTS	
1 PLC ±		SIZE: A1	CAGE CODE: 00779	DRAWING NO: 5390486
2 PLC ±		WEIGHT: -	RESTRICTED TO: -	
3 PLC ±		CUSTOMER DRAWING	SCALE: 1:1	SHEET: 2 OF 2
ANGLES ±				REV: A
FINISH: 2				