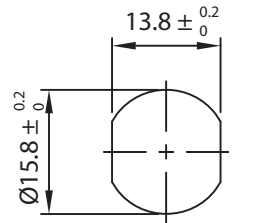
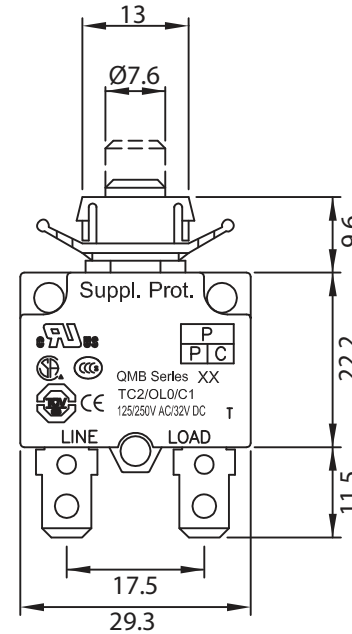
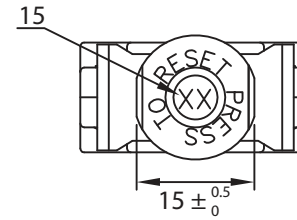
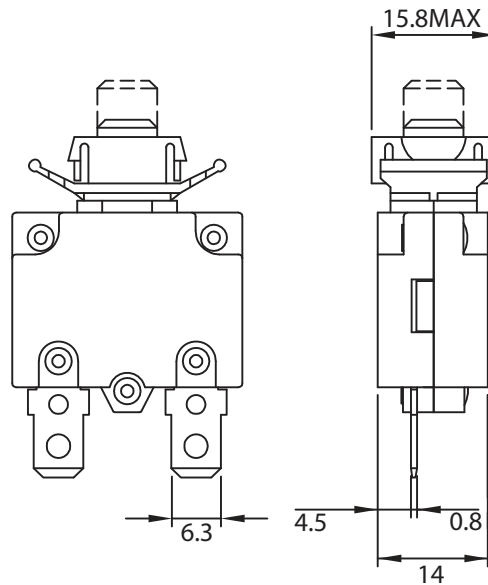


THESE DRAWINGS ARE THE PROPERTY OF QUALTEK ELECTRONICS AND NOT TO BE REPRODUCED FOR OR COMMUNICATED TO A THIRD PARTY WITHOUT THE EXPRESS WRITTEN PERMISSION OF AN OFFICER OF QUALTEK ELECTRONICS.

REVISION			
REV.	DESCRIPTION	DATE	APPROVED



PANEL CUTOUT



CONTROLLED

NOTES:

RATING: 15A 125/250V AC/32V DC
 PANEL THICKNESS: 0.8mm~2.5mm
 BUTTON COLOR: BLACK
 BUTTON PRINT COLOR: WHITE
 APPROVALS: UL, cUL, TUV, CCC, CE, CSA
 RoHS COMPLIANT

Dim range (mm)	Tolerance +/- (mm)	Qualtek Electronics Corp. PPC DIVISION		
		Part Number: QMB-153-00ENN-3BA RoHS Compliant		
0-1	0.15	Description: CIRCUIT BREAKER		
1-6	0.20		UNIT: mm	
6-18	0.30			
18-50	0.50			
50-120	0.70	Drawn / Date	Checked / Date	Approved / Date
120-250	0.90	R.Nuti 06-04-14	06-04-15	LY / 06-04-15
250-500	1.20			