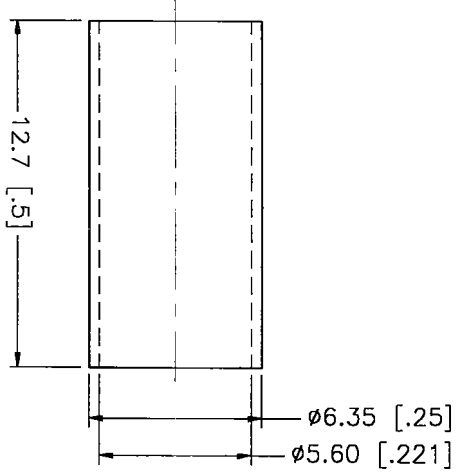
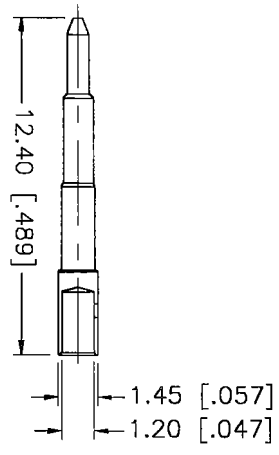
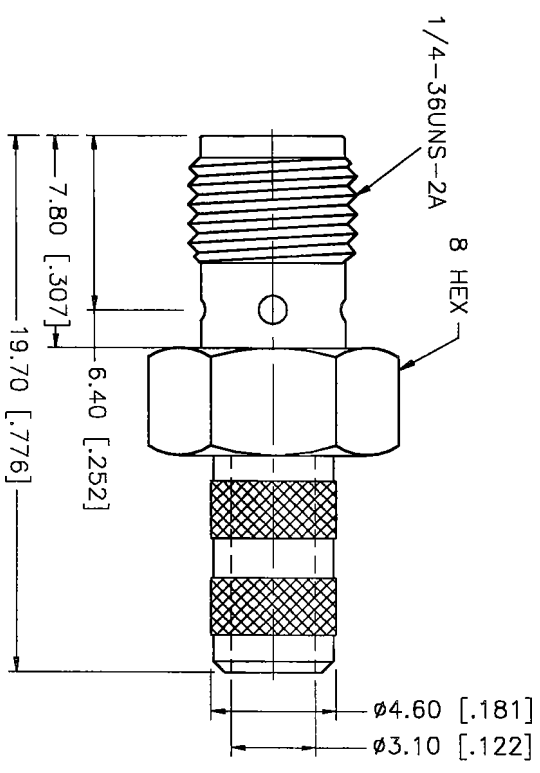
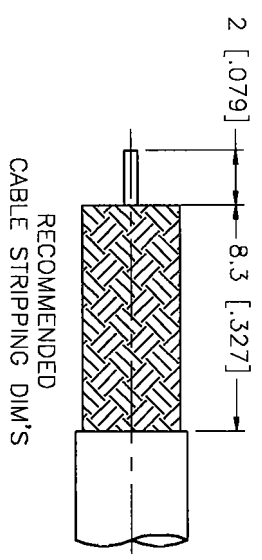
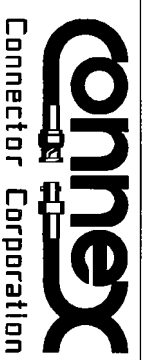


| REV. | DATE | DESCRIPTION |
|------|----------|-----------------|
| NC | 07/11/00 | INITIAL RELEASE |



*Dump Ferrule
Hex CRP size .213*

| DESCRIPTION | MATERIAL | FINISH | UNLESS OTHERWISE SPECIFIED DIMENSIONS ARE IN MILLIMETERS FOR CUSTOMER REFERENCE ONLY | APPROVALS | DATE | TITLE | SCALE | PART NO. | SHEET | REV. |
|---------------|----------|---------|---|----------------------|--------|----------|---|----------|----------|--------|
| 1 BODY | BRASS | GOLD | UNLESS OTHERWISE SPECIFIED DIMENSIONS ARE IN MILLIMETERS FOR CUSTOMER REFERENCE ONLY UNLESS OTHERWISE SPECIFIED TOLERANCES FOR MILLIMETERS ARE: 0.5-6 = ± 0.2 6-30 = ± 0.4 30-120 = ± 0.6 120-315 = ± 1 315-1000 = ± 1.6 1000-2000 = ± 2.4 | DRAWN | G.R.S. | 07/11/00 | SMA REVERSE POLARIZED CRIMP JACK (FOR TIMES LMR-200) | NA | 132236RP | 1 OF 1 |
| 2 INSULATOR | TEFLON | NATURAL | | CHECKED | | | | | | |
| 3 CONTACT PIN | BRASS | GOLD | | ISSUED | | | | | | |
| 4 FERRULE | COPPER | GOLD | | | | | | | | |
| 5 | | | | | | | | | | |
| 6 | | | | | | | | | | |
| 7 | | | | | | | | | | |
| 8 | | | | DO NOT SCALE DRAWING | | | | | | |



Connector Corporation
SMA REVERSE POLARIZED CRIMP JACK
(FOR TIMES LMR-200)

TITLE
SIZE A
FROM NO. 99001
DWG. NO. 132236RP.DWG