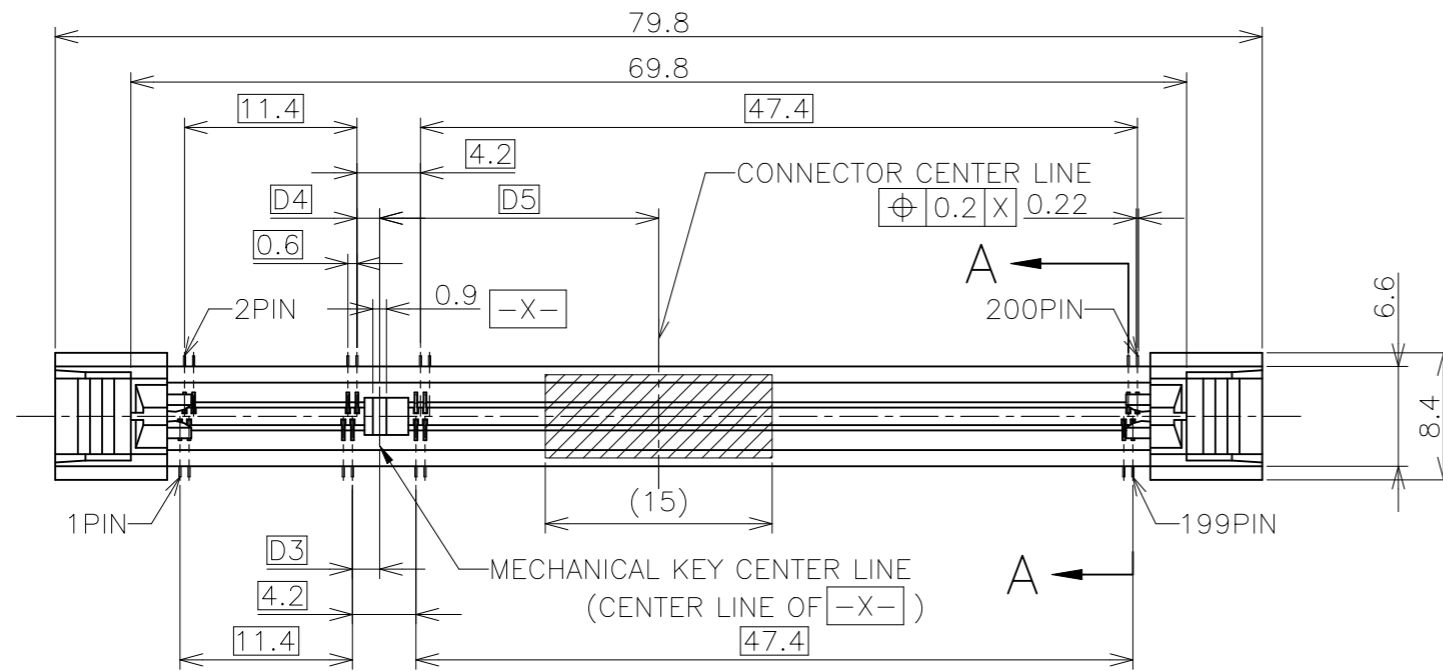
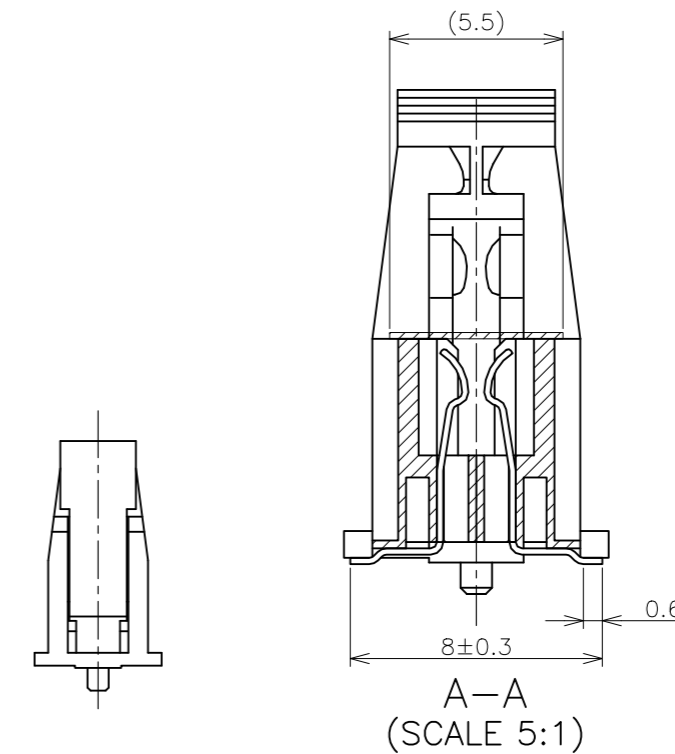
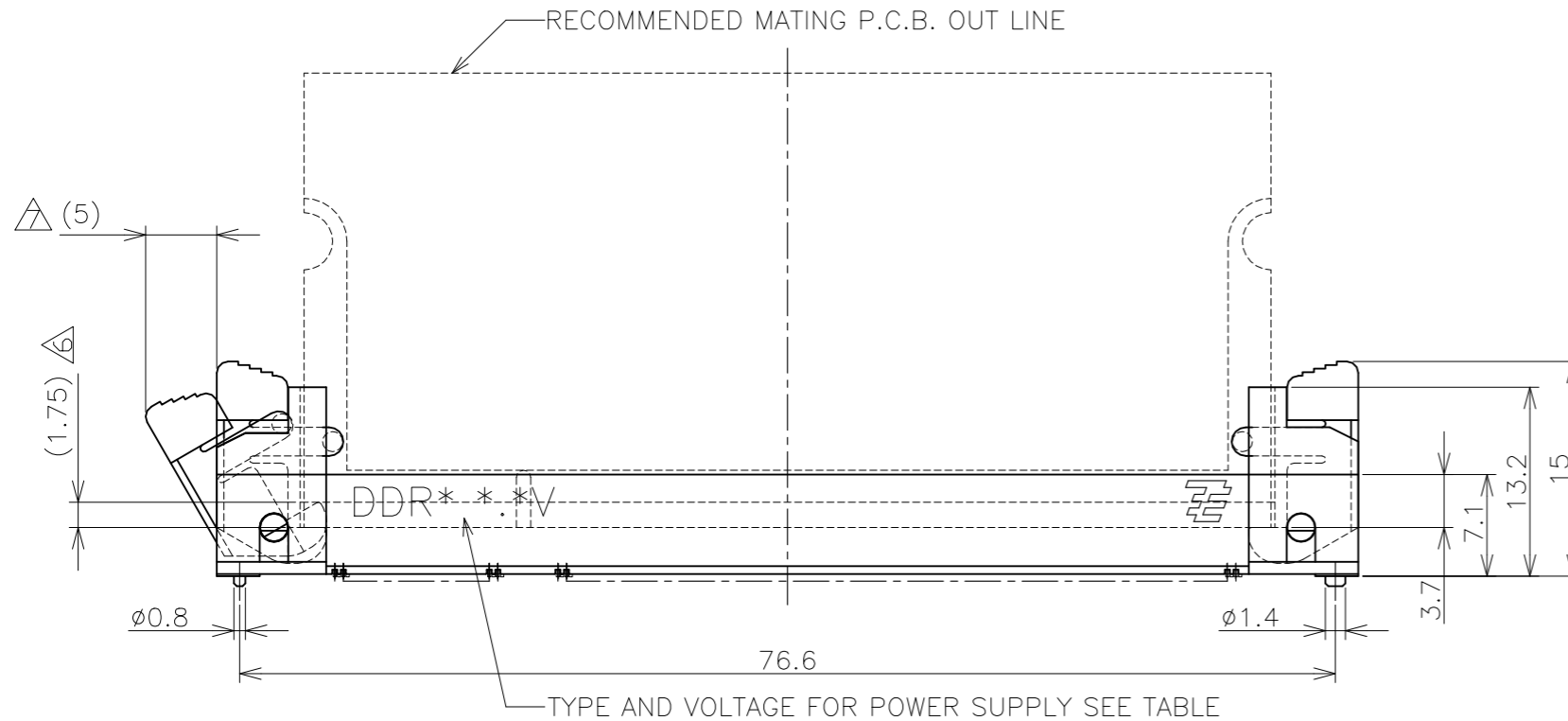


P	LTR	DESCRIPTION	DATE	DWN	APVD
D1	ECR-22-135399		11APR2022	E.Z	N.S



NOTES; (APPLIED TO SHEET 1-2)

- MATERIAL ; HOUSING: HIGH TEMPERATURE THERMO PLASTIC UL94V-0
CONTACT: COPPER ARROY
EJECOR: HIGH TEMPERATURE THERMO PLASTIC UL94V-0
 - FINISH ; CONTACT AREA: GOLD FLASH, ALL OVER NICKEL.
SOLDERING AREA: TIN PLATING, ALL OVER NICKEL.
- ⚠ MECHANICAL KEY POSITION OF CONNECTOR SEE TABLE.
 - ⚠ MODULE TYPE SEE TABLE.
 - ⚠ PWR SUPPLY SEE TABLE.
 - ⚠ THE VOLUME OF LIFTING UP BY EJECTOR.
 - ⚠ ADDITIONAL WIDTH BY EJECTING.
 - ⚠ TOLERANCES NON-CUMULATIVE.



WITHOUT TAPE	WITH TAPE	WITH TAPE	WITH TAPE	W or W/O TAPE	TYPE	POWER SUPPLY	D5	D4	D3	POS	PART NO.
DDR2	DDR2	DDR2	DDR1								1-2040910-2
											2040910-3
											2040910-2
											2040910-1

THIS DRAWING IS A CONTROLLED DOCUMENT.

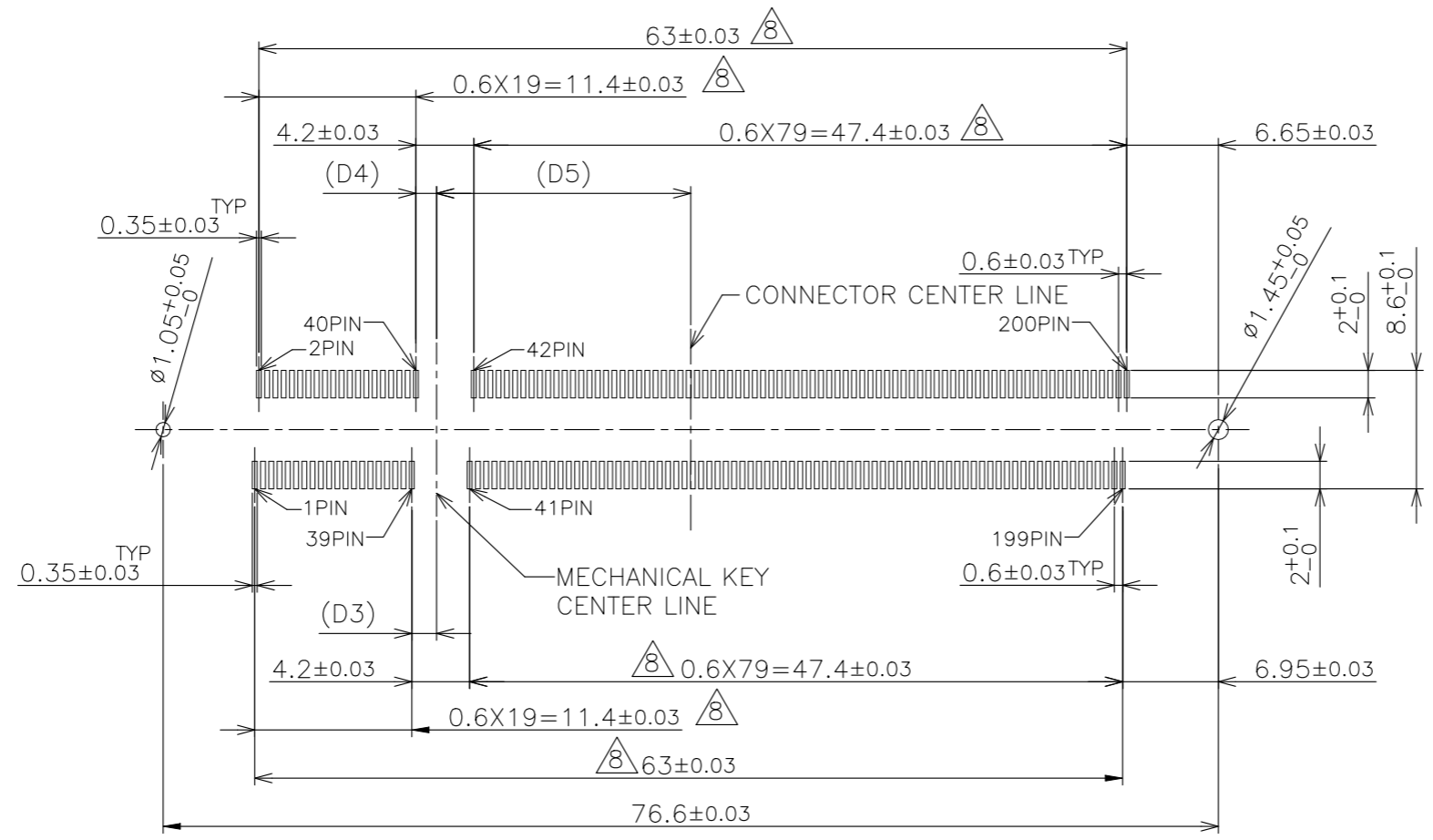
DWN T.FUMIKURA 20NOV2008	 TE Connectivity Ltd.	NAME 名称 DDR SODIMM SOCKET 0.6mm PITCH 200POS VERTICAL TYPE			
CHK K.IKEGAMI 20NOV2008					
APVD K.IKEGAMI 20NOV2008					
PRODUCT SPEC 製品規格 108-78628					
APPLICATION SPEC 取付適用規格	SIZE A3	CAGE CODE 00779	DRAWING NO 番号 C-2040910	RESTRICTED TO	
WEIGHT 4.77g	CUSTOMER DRAWING		SCALE 尺度 2:1	SHEET 1 of 5	REV D1

GENERAL TOLERANCE

10 ≥	±0.2
30 ≥	>10 ; ±0.25
100 ≥	>30 ; ±0.3
ANGLE : ±3°	

DIMENSIONS: 単位: 耗 MM	TOLERANCES UNLESS OTHERWISE SPECIFIED: 一般公差
0 PLC	± -
1 PLC	± -
2 PLC	± -
3 PLC	± -
4 PLC	± -
ANGLES	± 3°
MATERIAL 材料	FINISH 仕上
SEE NOTES	SEE NOTES

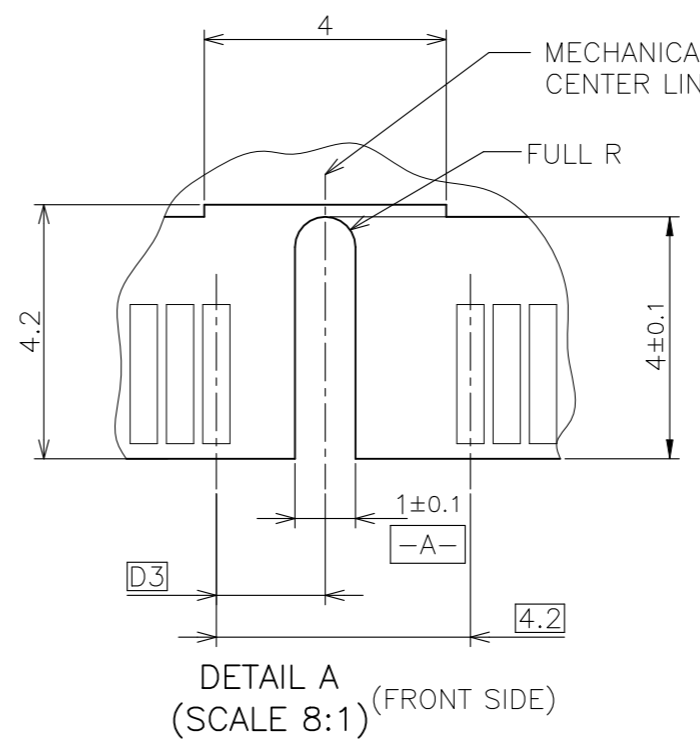
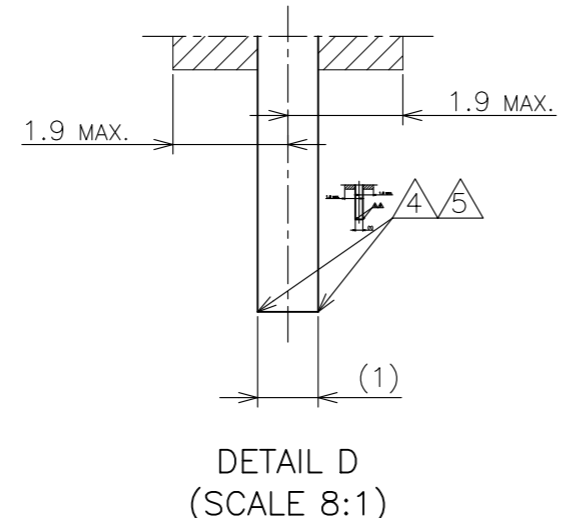
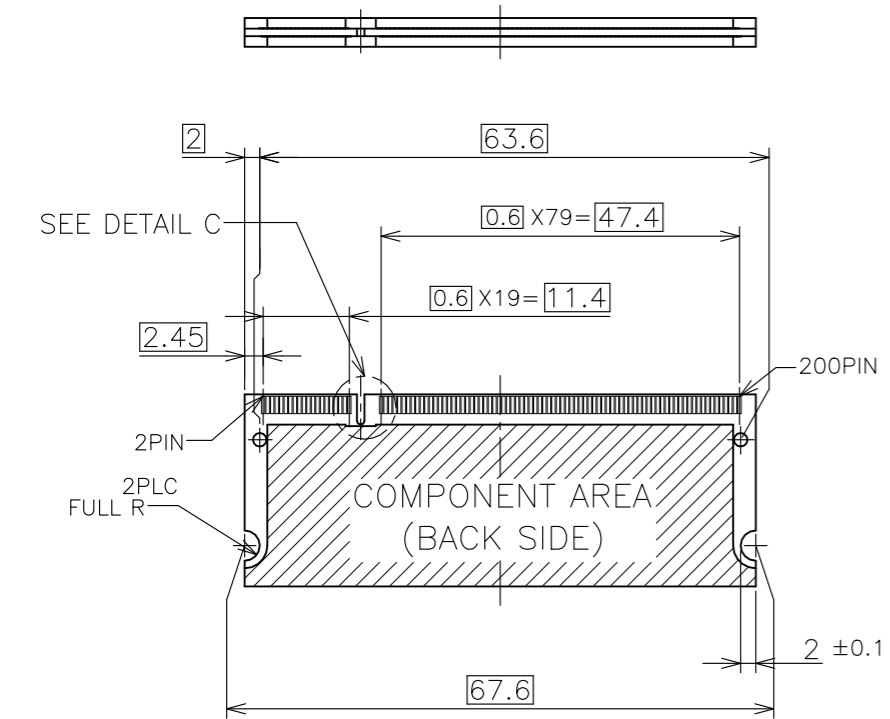
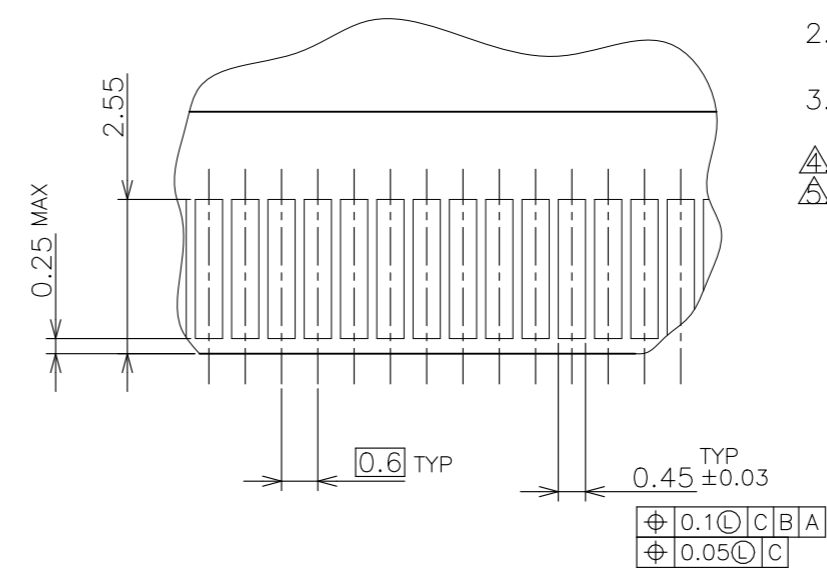
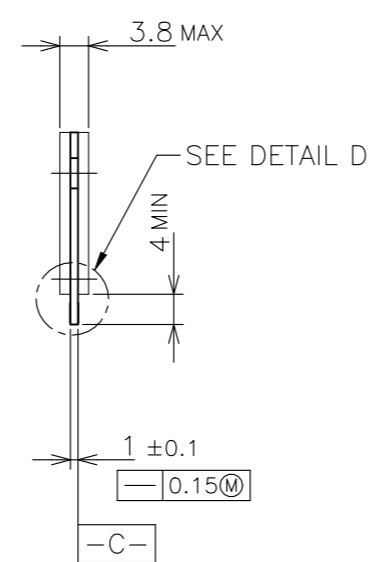
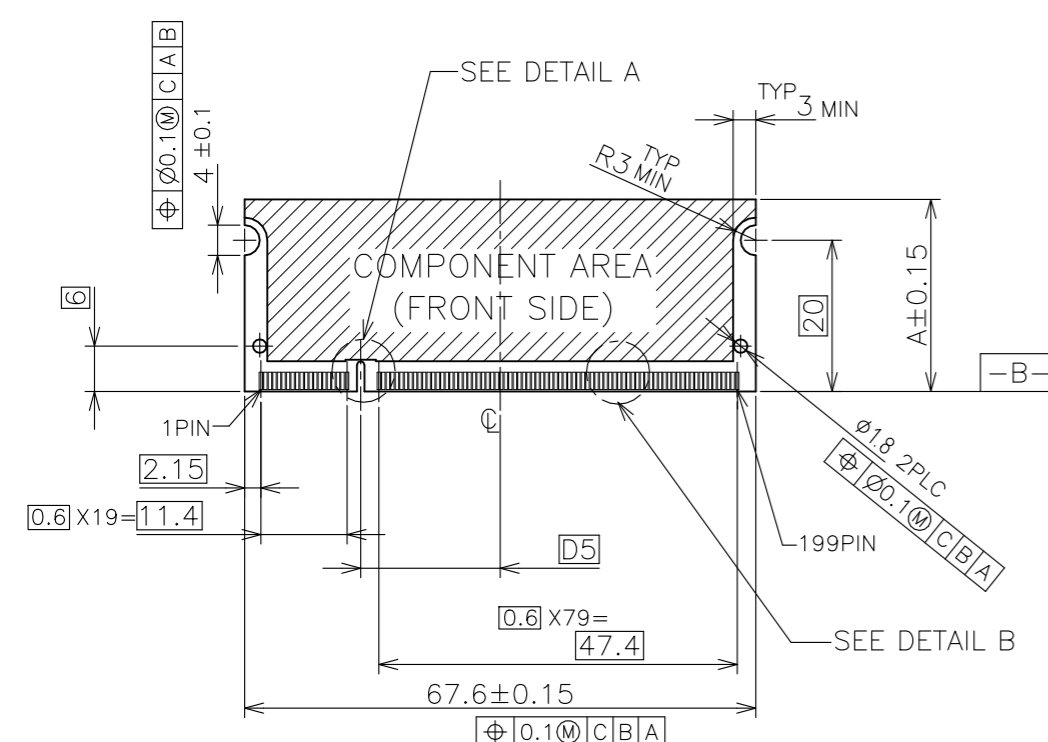
REVISIONS 変更					
P	LTR	DESCRIPTION	DATE	DWN	APVD
-	-	SEE SHEET 1	-	-	-



REFERENCE P.C.B PATTERN LAYOUT
(CONNECTOR MOUNTING SIDE)

THIS DRAWING IS A CONTROLLED DOCUMENT.		DWN	TE Connectivity Ltd.														
DIMENSIONS: 單位: 耗 MM		CHK															
TOLERANCES UNLESS OTHERWISE SPECIFIED: 一般公差		APVD	NAME 名称 DDR SODIMM SOCKET 0.6mm PITCH 200POS VERTICAL TYPE														
<table border="1"> <tr><td>0 PLC</td><td>± -</td></tr> <tr><td>1 PLC</td><td>± -</td></tr> <tr><td>2 PLC</td><td>± -</td></tr> <tr><td>3 PLC</td><td>± -</td></tr> <tr><td>4 PLC</td><td>± -</td></tr> <tr><td>ANGLES</td><td>± 3°</td></tr> </table>		0 PLC	± -	1 PLC	± -	2 PLC	± -	3 PLC	± -	4 PLC	± -	ANGLES	± 3°	PRODUCT SPEC 製品規格	SIZE		
0 PLC	± -																
1 PLC	± -																
2 PLC	± -																
3 PLC	± -																
4 PLC	± -																
ANGLES	± 3°																
MATERIAL 材料 SEE NOTES		APPLICATION SPEC 取付適用規格	CAGE CODE	DRAWING NO 番号	RESTRICTED TO												
FINISH 仕上 SEE NOTES		WEIGHT	A3	00779	G-2040910												
CUSTOMER DRAWING			SCALE 尺度	SHEET	REV												
			2:1	2 OF 5	D1												

REVISIONS					
変更					
P	LTR	DESCRIPTION	DATE	DWN	APVD
-	-	SEE SHEET 1	-	-	-

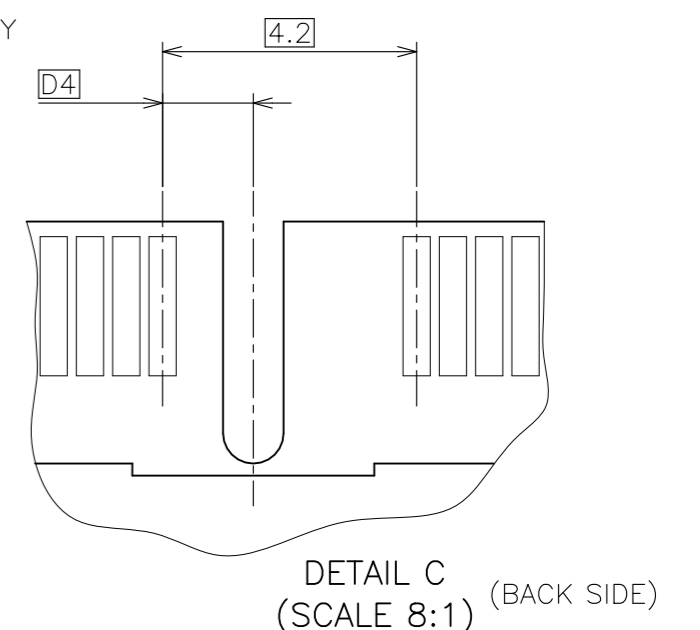


NOTES: (APPLIED TO SHEET 3)

- TOLERANCES ON ALL DIMENSIONS ± 0.15 UNLESS OTHERWISE SPECIFIED.
- P.C. BOARD THICKNESS APPLIES ACROSS TABS AND INCLUDES PLATING AND/OR METALIZATION.
- FINISH OF PAD : GOLD PLATING 0.00076 MIN. OVER Ni PLATING 0.002 MIN.

△ NO BURR

△ CHAMFER 0.25 MAX x 45° IF EXIST.

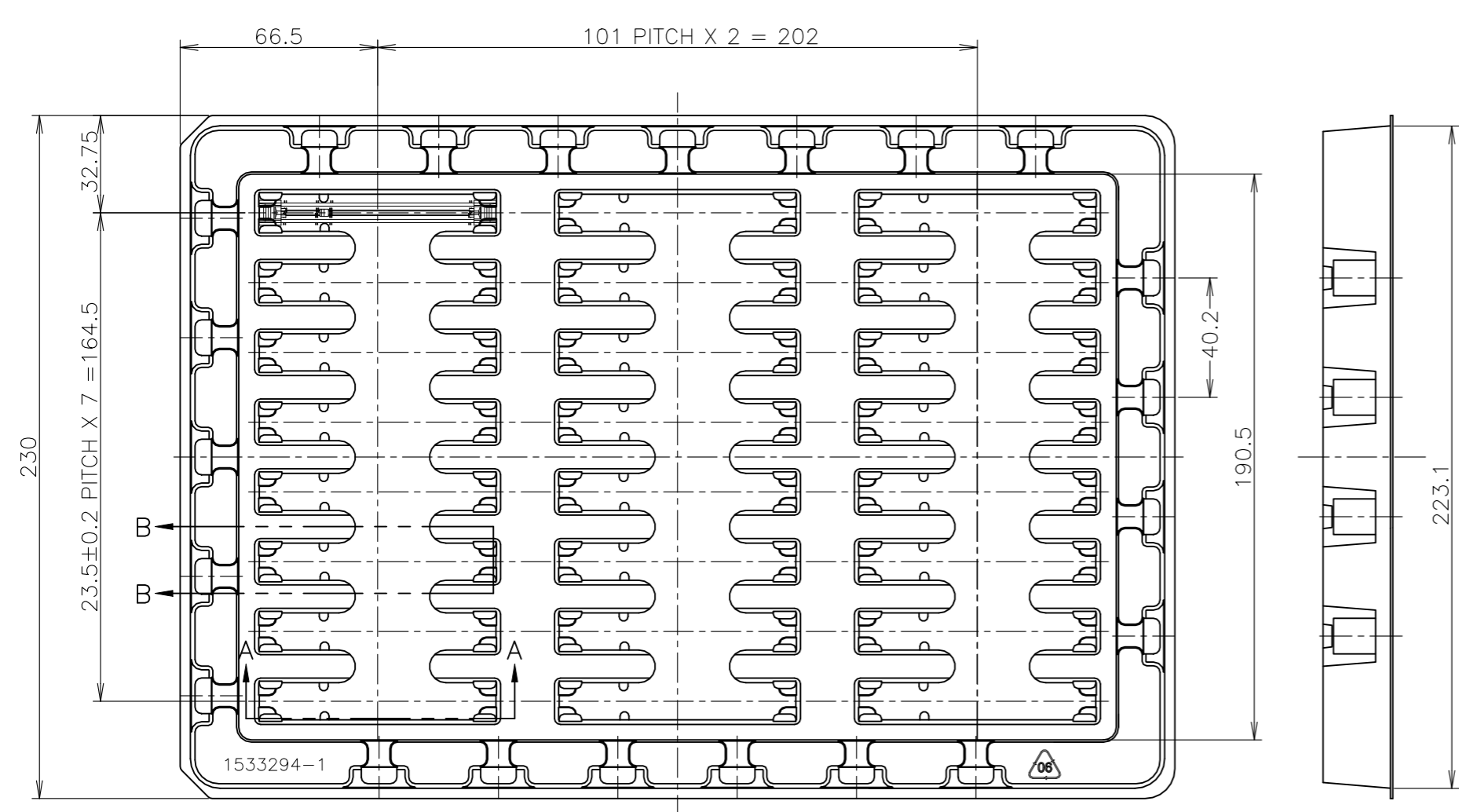


31.75	1.8V	17.55	2.4	2.7
25.4	2.5V	18.45	1.5	1.8
A	POWER SUPPLY	D5	D4	D3

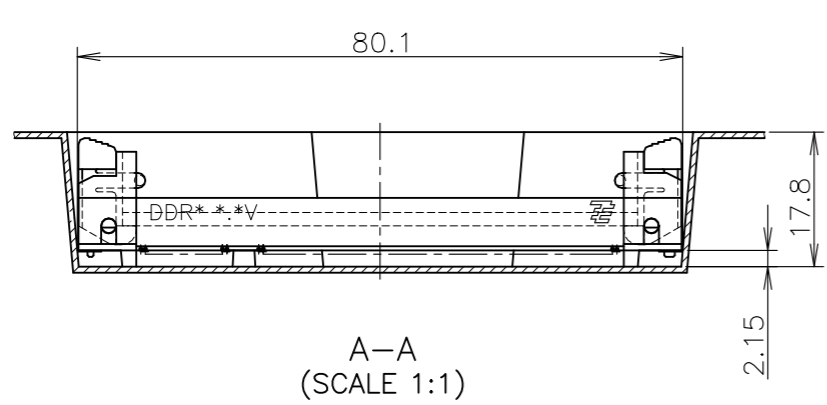
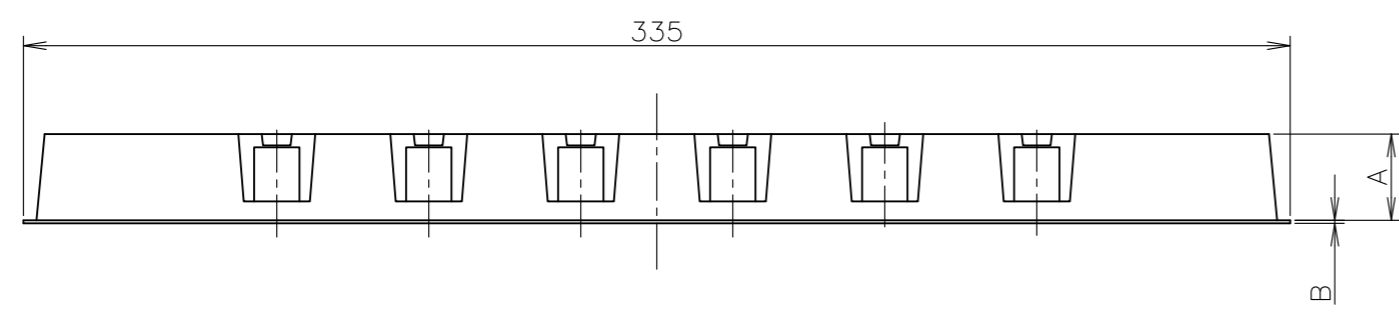
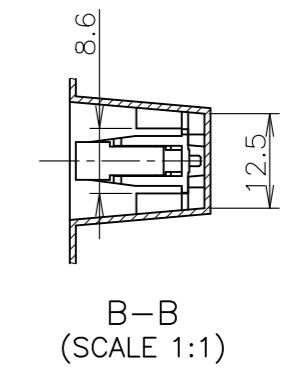
THIS DRAWING IS A CONTROLLED DOCUMENT.		DWN	TE Connectivity Ltd.		
DIMENSIONS: 單位: 耗 MM		CHK			
TOLERANCES UNLESS OTHERWISE SPECIFIED: 一般公差		APVD	NAME 名称		
0 PLC ± - 1 PLC ± - 2 PLC ± - 3 PLC ± - 4 PLC ± - ANGLES ± -		PRODUCT SPEC 製品規格	DDR SODIMM SOCKET 0.6mm PITCH		
MATERIAL 材料		APPLICATION SPEC 取付適用規格	200POS VERTICAL TYPE		
FINISH 仕上		WEIGHT	SIZE	CAGE CODE	DRAWING NO 番号
			A3	00779	C-2040910
			RESTRICTED TO		
CUSTOMER DRAWING		SCALE 尺度 1:1	SHEET 3 OF 5	REV D1	

© - TE Connectivity. All Rights Reserved.

REVISIONS 変更					
P	LTR	DESCRIPTION	DATE	DWN	APVD
-	-	SEE SHEET 1	-	-	-



- (APPLIED TO SHEET 4)
1. THE DIRECTION OF EACH CONNECTOR ON A TRAY IS REFERRED TO THIS DRAWING.
 2. GENERAL TOLERANCE: ± 0.5 , $\pm 3^\circ$



1.2	18.8	384EA	96EA	24EA	2040910-3
1.2	22.8	384EA	96EA	24EA	2040910-2
1.2	22.8	384EA	96EA	24EA	2040910-1
B	A	QTY/SHIPPING BOX	QTY/INNER BOX	QTY/TRAY	PART NO.

THIS DRAWING IS A CONTROLLED DOCUMENT.

DIMENSIONS: 單位: 耗 MM	TOLERANCES UNLESS OTHERWISE SPECIFIED: 一般公差	DWN	STE TE Connectivity Ltd.
0 PLC ± 0.5	1 PLC ± 0.5	CHK	
2 PLC ± 0.5	3 PLC ± 0.5	APVD	NAME 名称
4 PLC ± 0.5	ANGLES $\pm 3^\circ$	PRODUCT SPEC 製品規格	DDR SODIMM SOCKET 0.6mm PITCH 200POS VERTICAL TYPE
MATERIAL 材料	FINISH 仕上	APPLICATION SPEC 取付適用規格	SIZE
		WEIGHT	CAGE CODE
			DRAWING NO 番号
			RESTRICTED TO
			A3 00779 C-2040910
			CUSTOMER DRAWING
			SCALE 尺度 1:2
			SHEET 4 of 5
			REV D1

4

3

2

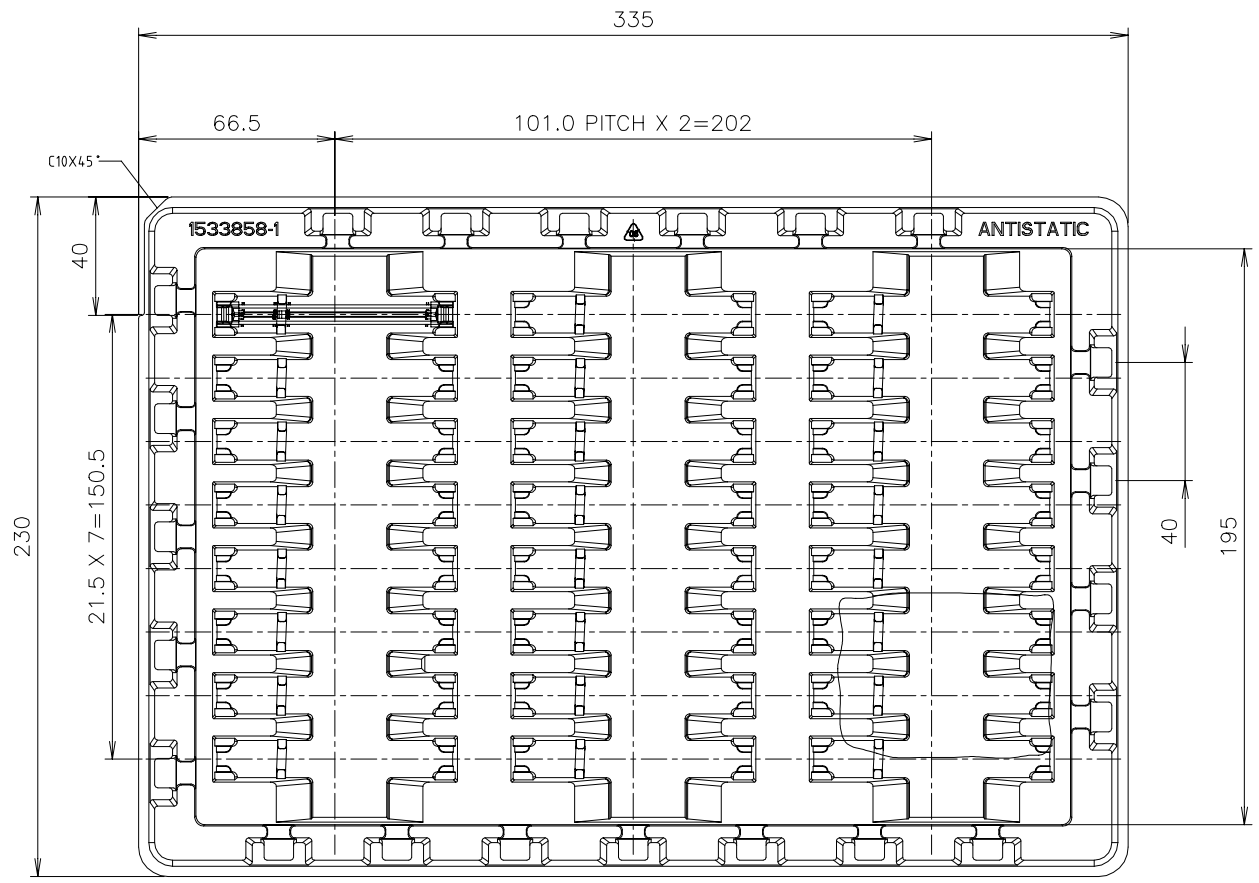
1

© - TE Connectivity. All Rights Reserved.

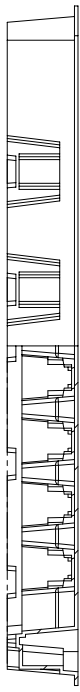
REVISIONS				
変更				
P	LTR	DESCRIPTION	DATE	APVD
-	-	SEE SHEET 1	-	-

D

D



(APPLIED TO SHEET 5)
 1. THE DIRECTION OF EACH CONNECTOR ON A TRAY IS REFERRED TO THIS DRAWING.
 2. GENERAL TOLERANCE: ±0.5, ±3°



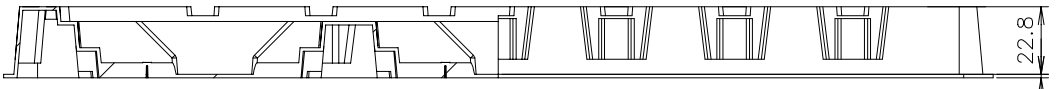
B-B

C

C

B

B



A-A

A

A

384EA	96EA	24EA	1-2040910-2
QTY/SHIPPING BOX	QTY/INNER BOX	QTY/TRAY	PART NO.

THIS DRAWING IS A CONTROLLED DOCUMENT.		DWN	STE TE Connectivity Ltd.		
		CHK			
DIMENSIONS: 單位: 耗 MM	TOLERANCES UNLESS OTHERWISE SPECIFIED: 一般公差	APVD	NAME 名称		
			DDR SODIMM SOCKET 0.6mm PITCH 200POS VERTICAL TYPE		
	0 PLC ± -	PRODUCT SPEC 製品規格	SIZE	CAGE CODE	DRAWING NO 番号
	1 PLC ± -	APPLICATION SPEC 取付適用規格	A3	00779	C-2040910
MATERIAL 材料	FINISH 仕上	WEIGHT	RESTRICTED TO		
		0.000000	CUSTOMER DRAWING		
			SCALE 尺度	SHEET	REV
			1:1	5 OF 5	D1