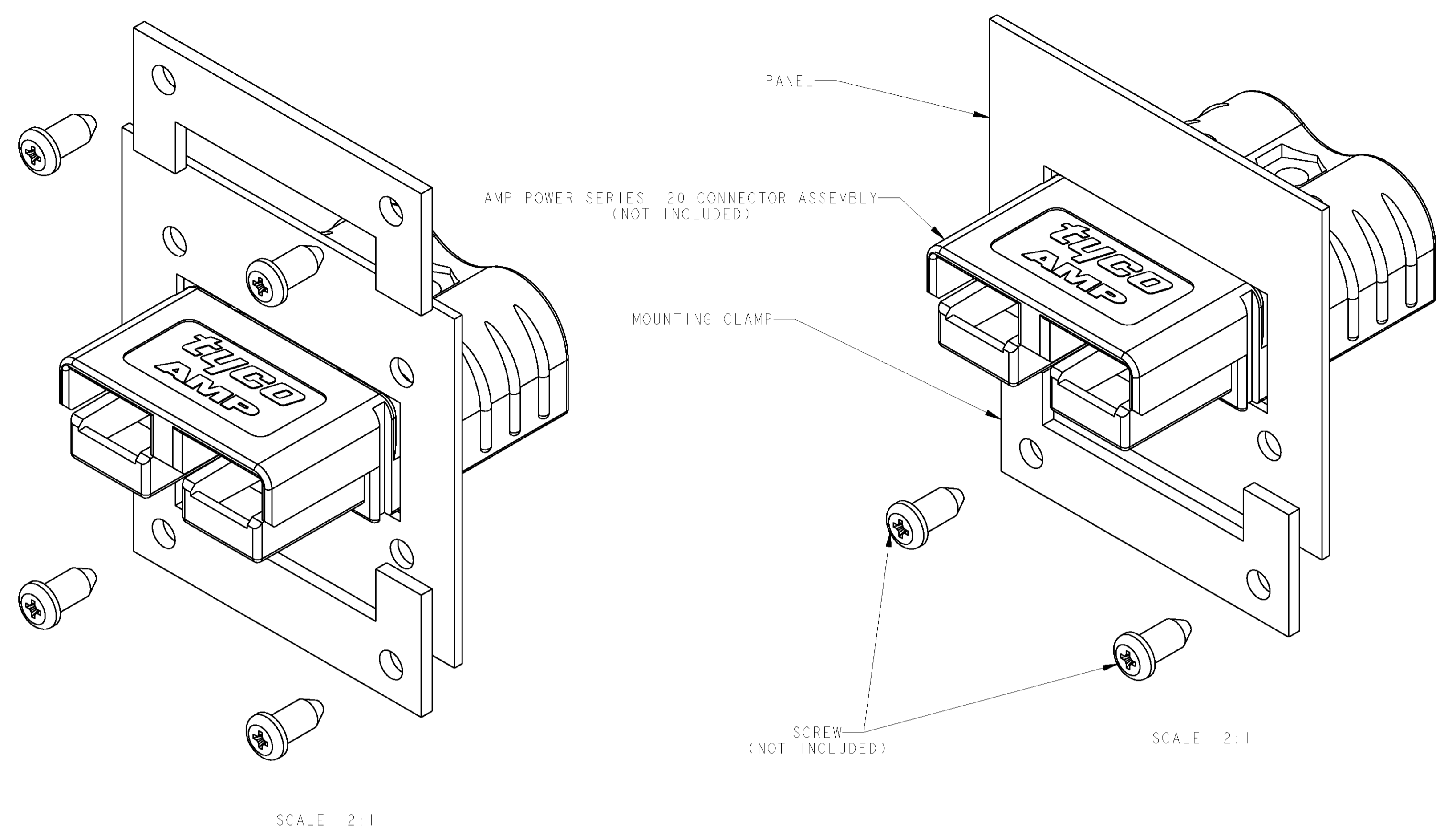
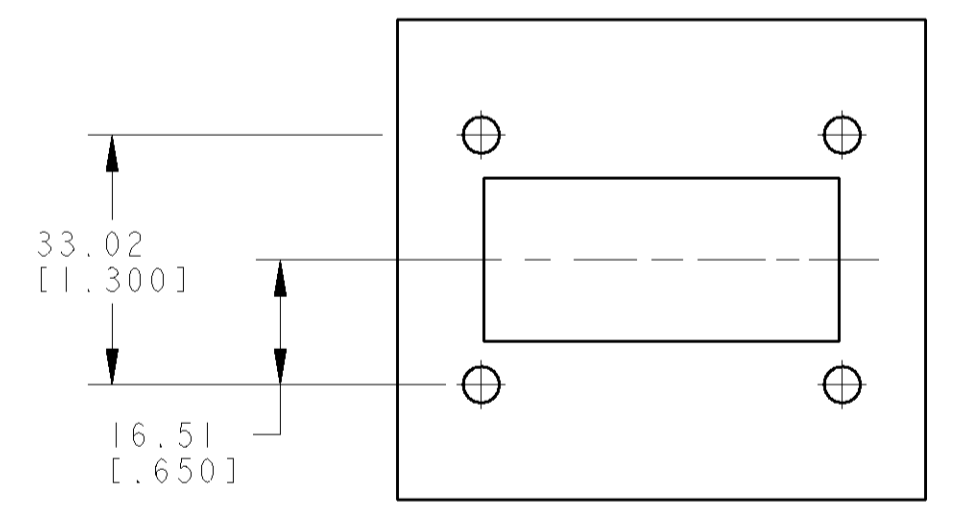


LOC		DIST		REVISIONS			
CM	00	P	LTR	DESCRIPTION	DATE	DWN	APVD
		0		REVISED PER 0638-0920-04	29NOV04	KW	JE

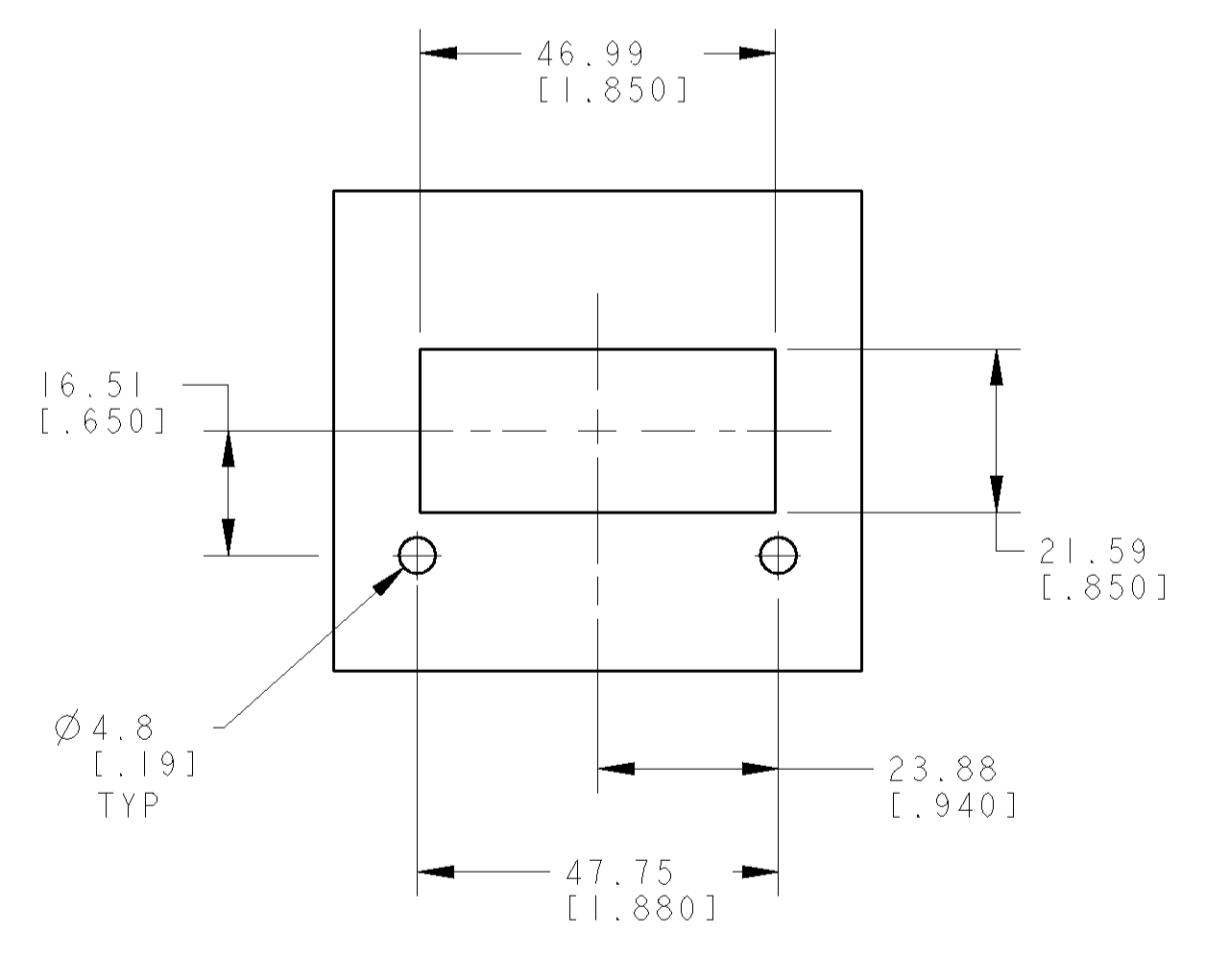


SCALE 2:1

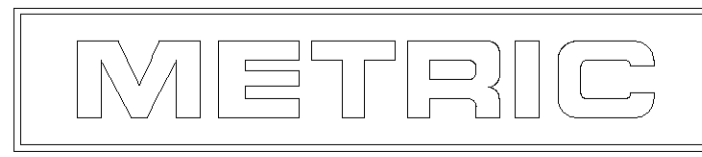
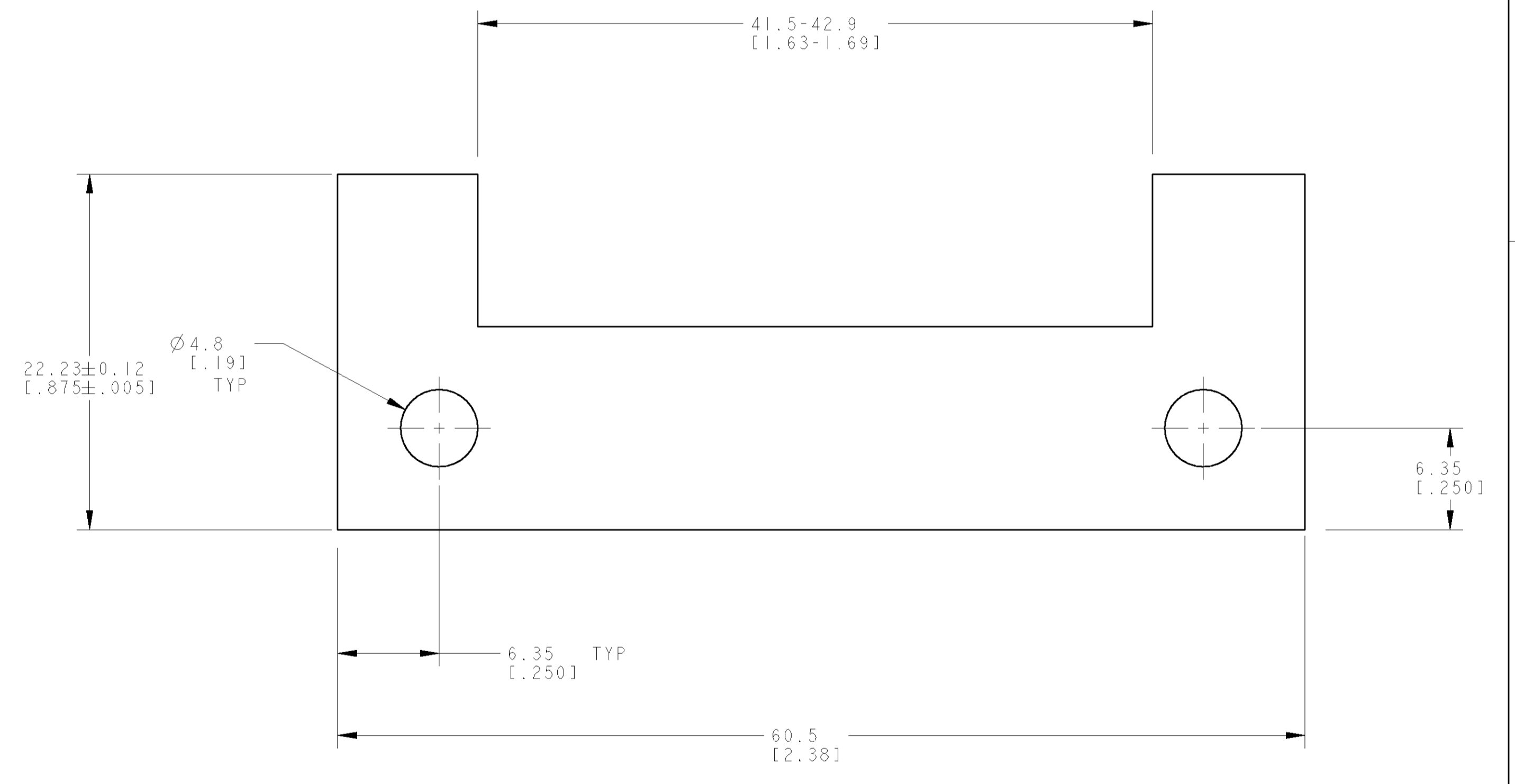
SCALE 2:1



RECOMMENDED PANEL CUT OUT  
 (TWO BRACKETS)  
 SCALE 1:1



RECOMMENDED PANEL CUT OUT  
 (ONE BRACKET)  
 SCALE 1:1



1744090-1  
 PART NUMBER

<small>THE DIMENSIONS TO WHICH THIS DRAWING IS REFERRED ARE THE DIMENSIONS OF THE PARTS AS SUPPLIED BY THE MANUFACTURER. THE DIMENSIONS TO WHICH THIS DRAWING IS REFERRED ARE THE DIMENSIONS OF THE PARTS AS SUPPLIED BY THE MANUFACTURER.</small>		DWN R. WHITAKER 29NOV2004 CHK J. ELLIS 29NOV2004 APVD J. ELLIS 29NOV2004	<b>tyco</b> Electronics Tyco Electronics Harrisburg, PA 17105-3608
DIMENSIONS: mm [INCHES]	TOLERANCES UNLESS OTHERWISE SPECIFIED:	NAME MOUNTING CLAMP, PANEL AMP POWER SERIES 120, DOUBLE POLE	SIZE CAGE CODE DRAWING NO A100779C-1744090
0 PLC ± 1 PLC ± 2 PLC ±0.10 [.007] 3 PLC ± 4 PLC ± ANGLES ±40° 30'	FINISH -	PRODUCT SPEC - APPLICATION SPEC - WEIGHT - CUSTOMER DRAWING	RESTRICTED TO REV 0