

**TFT LCD Module with  
Metallized Projective Capacitive Touch Panel  
(FLETAS touch panel)**

**Hardware Specification**

Model: GTWV070C3A00PA

Specification No:	DS-2082-0001-01	
Date of Issue:	November 29, 2019	(00)
Revision:	December 26, 2019	(01)

Published by  
NORITAKE ITRON Corp. / Japan  
<http://www.noritake-itron.jp>

This specification is subject to change without prior notice.

**This product complies with RoHS Directive**  
**Please contact our sales consultant for details and to confirm the current status**

FLETAS are products manufactured by Noritake itron Corporation.

## Notice for the Cautious Handling of LCD Modules

Handling and usage precautions:

Please carefully follow the appropriate product application notes and operation standards for proper usage, safe handling, and maximum performance.

### 【Construction】



The FLETAS touch panel is made of glass. When using this product, please be sure to install a protective overlay such as cover glass, acrylic plate, etc.



Please handle the FLETAS touch panel very carefully as it may crack if it is pressed with excessive force.



If this product is bent or twisted, it may cause the breakage of parts on the product board. Please handle it very carefully without bending or twisting.



Please do not hold the FPC or other cables on this product as it may disconnect vital components.



The end faces of the FLETAS touch panel are not polished. Please handle it very carefully to avoid injury.



The FLETAS touch panel is made of glass. It may be damaged by falling / impact / excessive vibration. In the unlikely event that the glass shatters, please handle the glass fragments very carefully to avoid injury.



The LCD panel generates heat. Please provide clearance for heat dissipation between this product and its enclosure. Also, if a structure has electronic parts that are densely collected near this product, we recommend that it be cooled with a fan or something similar.

### 【Cable Connection】



Please do not remove the power cable and signal cable if the product is in an energized state. It may cause damage to the power supply circuit and/or the I/O circuit of this product.



As a rule of thumb, please do not input any signals while the product is not receiving adequate power. It may cause damage to the input/ output circuit.



When plugging-in or unplugging the cable for this product, please do not apply excessive force, such as pulling the cable.

Please plug-in or unplug in a straight direction (alignment) with the terminal, without bending or twisting forces.

If it is not properly plugged-in or unplugged, damage may occur to the cable or connector.



Please avoid sudden bending of the cable from the base of the insert connector part. It may cause damage to the cable or disconnection of the connector. If loads are expected on connectors and cables, please fix cables etc.

### 【Electrostatic Charge】



Since we are using semiconductor products, please pay attention to the electrostatic breakdown during handling and transportation. (If it is judged that the product is defective due to electrostatic destruction during its return to our company, it may be repaired for a fee.)

### 【Power】



Please use a fully stabilized power supply. If the power supply's voltage is outside of the product's rated supply voltage, the operation of the power supply circuit may become unstable.



In-rush current flows when turning the power on. Please use a power supply that can withstand more than twice the normal current.



As a safety measure, we recommend using a power supply with overcurrent protection and a fuse.



Please confirm that the power supply voltage is within the rating of the connector.

Please use a power cable with the appropriate thickness and length.

### 【Interface】



Please use an interface cable that has a length that has been thoroughly verified.

### 【Implementation】



When installing this product, please make sure that the on-board electronic components and FPC do not touch the metal chassis. It may cause the product to malfunction.



If you need to make the product drip-proof, please use waterproof measures for products by using rubber etc.



Please handle the product carefully when you take it out from the case and when you install the product, since it is a precision part.

**【Storage and Operating Environment】**

Please use this product within the environmental condition range stated in its specification.

Exceeding the stated temperature, humidity, vibration, and impact limitations (along with other stated limitations) may cause malfunction.



Please do not exceed the absolute maximum ratings stated in the specification even for a moment. It may cause malfunction.



Under a high temperature environment, the FLETAS touch panel surface also becomes hot.

If you touch the FLETAS panel with your bare hand, please be careful of burns, injury, etc.



Malfunction may occur when the product is stored and/or used in environments with a lot of salt, sulfur, dust, etc.

**【Disposal】**

When disposing of this product, please follow the relevant regulations.

**【Others】**

Do not reverse engineer this product (i.e. firmware disassembly).



Do not modify, disassemble, repair, replace parts, etc.

It may cause EMI failure, etc.  
(We cannot assume responsibility for troubles caused by modifying these products.)



This specification does not give license of the intellectual property rights that our company owns. Also, it does not guarantee the implementation of a third party's rights.



Neither whole nor partial copying of these specifications is permitted without our approval. If necessary, please ask for assistance from one of our sales consultants.



This product is designed with careful attention to EMI and ESD. However, the characteristics of EMI and ESD change when the product is incorporated into a system. Please be sure to perform testing with the finished product. When used in noisy environments, please take measurements against noise around the casing.



This product is not designed for military, aerospace, medical, or other life-critical applications. If you choose to use this product for these applications, please ask us for prior consultation or we cannot accept responsibility for problems that may occur.



Image persistence may occur if the same screen is displayed for a prolonged period of time. The effect will gradually disappear by displaying a screensaver pattern, etc, or by powering off the display. The time needed for the effect to disappear is not fixed, as it depends on the exact usage, screen settings, power settings, and environmental temperature, etc.

To avoid image persistence, it is recommended to avoid displaying a fixed pattern or the same image for a prolonged period of time.

## Contents

<b>Notice for the Cautious Handling of LCD Modules</b> .....	<b>2</b>
<b>1 General Description</b> .....	<b>5</b>
1.1 Construction .....	5
1.2 Outline .....	5
1.3 Block Diagram .....	5
<b>2 General Purpose I/O Port</b> .....	<b>6</b>
<b>3 Electrical Specifications</b> .....	<b>7</b>
3.1 Absolute Maximum Ratings.....	7
3.2 Electrical Ratings.....	7
3.3 Electrical Characteristics .....	8
<b>4 Environmental Specifications</b> .....	<b>9</b>
<b>5 Optical Specifications (at 25°C)</b> .....	<b>9</b>
<b>6 Physical Specifications</b> .....	<b>9</b>
<b>7 Applicable Specifications</b> .....	<b>9</b>
<b>8 Interface Details</b> .....	<b>10</b>
8.1 USB Interface (CN3).....	10
8.1.1 USB Interface – Summary .....	10
8.1.2 USB Interface – Technical Details .....	10
8.2 Serial Interface (CN9).....	11
8.2.1 UART Mode (J5 = SHORT, J6 = SHORT) .....	11
8.2.2 SPI Mode (J5 = OPEN, J6 = OPEN) .....	12
8.2.3 I <sup>2</sup> C Mode (J5 = SHORT, J6 = OPEN) .....	14
8.3 Transmit data interface .....	16
8.4 Reset .....	16
<b>9 FLETAS Touch Panel</b> .....	<b>17</b>
9.1 Outline .....	17
9.2 Basic Operation .....	17
<b>10 Installation Method</b> .....	<b>17</b>
<b>11 Setup</b> .....	<b>18</b>
11.1 Jumper.....	18
<b>12 Connectors</b> .....	<b>19</b>
12.1 USB Interface (CN3).....	19
12.2 Power Through-holes (CN8).....	19
12.3 Serial Interface & Power Through-holes (CN9).....	19
12.4 Extension General Purpose I/O Port Through-holes & Power Through-holes (CN10) .....	19
12.5 General Purpose I/O Port Through-holes & Power Through-holes (CN11) .....	19
12.6 Connector Position .....	20
<b>13 Lot No./ Firmware Version Specification</b> .....	<b>21</b>
<b>14 Physical Dimensions</b> .....	<b>22</b>
<b>Revision history</b> .....	<b>23</b>

## 1 General Description

This specification covers the hardware aspects of the GTWV070C3A00PA TFT-LCD graphic display module with metallized projective capacitive touch (FLETAS touch panel).

This product is basically identical to the GT800X480A-C903PA, but with a replaced TFT panel.

### 1.1 Construction

The module consists of an 800 x RGB X 480 color graphic TFT-LCD with touch panel, refresh RAM, character generator, DC/DC converter, Microcontroller, and all necessary control logic. The module can simultaneously display graphic patterns, images, and text characters on the screen.

### 1.2 Outline

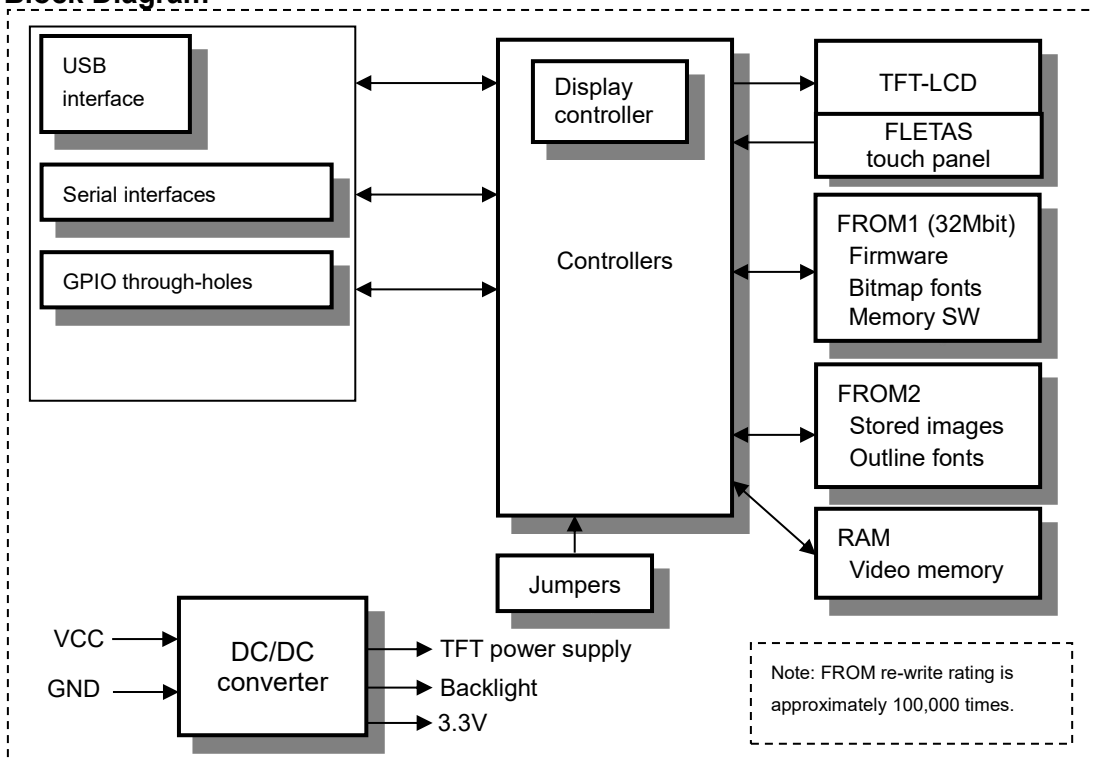
Display:	Diagonal 7.0 inches, 800×480 pixels, 65K colors (16-bit color (RGB 5-5-5 + 1bit intensity))
Power supply:	Single 5 V <sub>DC</sub> Serial interface (UART / I <sup>2</sup> C / SPI CMOS 3.3V) USB interface (High-speed / full-speed)
I/O port:	26 bits general-purpose I/O port
Function:	Character display Graphic display Control command Display action command Window function General-purpose I/O port control Macro, program macro function Character and image download function Memory SW, data storage Display orientation function Power saving function Touch panel input

Related specifications:

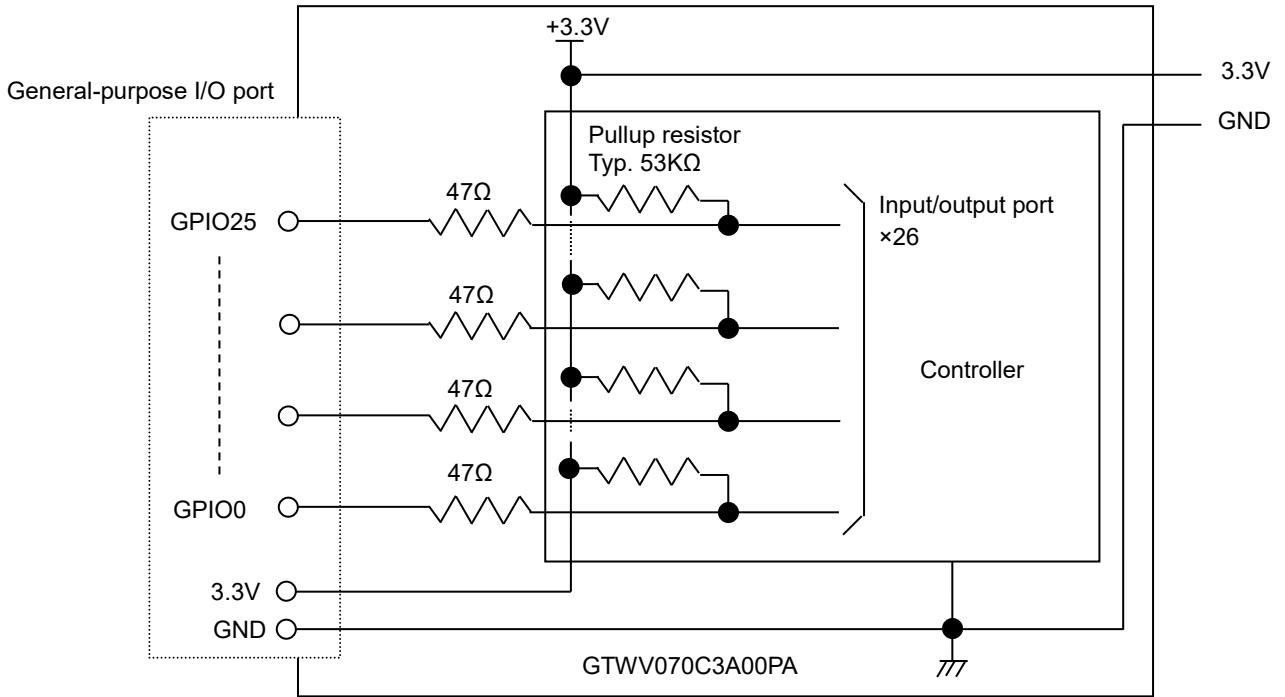
DS-2007-0003-xx: "General Function" Software Specification.

DS-1940-0005-xx: "Program Macro" Software Specification.

### 1.3 Block Diagram



## 2 General Purpose I/O Port



Refer to 3.3 Electrical Characteristics, “General Purpose I/O Port Voltage”.  
 For controlling, refer to “General Function” Software Specification, “I/O Port Input / Output Setting”, “I/O Port Output”, and “I/O Port Input”.

### 3 Electrical Specifications

#### 3.1 Absolute Maximum Ratings

##### Power supply voltage

Parameter	Symbol	Min.	Typ.	Max.	Unit	Note
Power supply voltage	VCC	-0.3	-	+6.0	V	—

##### Logic voltage

Parameter	Symbol	Min.	Typ.	Max.	Unit	Note	
UART	Logic input voltage RXD, DSR	VsIN1	-0.3	—	+3.6	V	VCC=5V
I <sup>2</sup> C	Logic input voltage SCL,SDA	VsIN2	-0.3	—	+3.6	V	VCC=5V
SPI	Logic input voltage SCK, MOSI, SSEL	VsIN3	-0.3	—	+3.6	V	VCC=5V
Common	Logic input voltage /RESET	VsIN4	-0.3	—	+3.6	V	VCC=5V
I/O port	Logic input voltage port 0, 1, 2, 3	ViIN	-0.3	—	+3.6	V	VCC=5V

#### 3.2 Electrical Ratings

Parameter	Symbol	Min.	Typ.	Max.	Unit	Note	
Power supply	Power supply voltage	VCC	4.75	5.0	5.25	VDC	—
UART	Logic input voltage RXD, DSR	VsIH1	2.7	—	—	VDC	—
		VsIL1	—	—	0.6	VDC	—
I <sup>2</sup> C	Logic input voltage SCL,SDA	VsIH2	2.7	—	—	VDC	Internal pull-up resistor 10kΩ
		VsIL2	—	—	0.6	VDC	
SPI	Logic input voltage SCK, MOSI, SSEL	VsIH3	2.7	—	—	VDC	—
		VsIL3	—	—	0.6	VDC	—
RESET *1	Logic input voltage /RESET	VsIL4	—	—	0.6	VDC	—

\*1 Please use open-drain output.

All driving voltage for the TFT-LCD is generated from the on-board DC/DC converter.

### 3.3 Electrical Characteristics

#### Logic input/output condition

Measuring conditions: ambient temperature = 25 °C, VCC=5.0VDC

Parameter		Symbol	Min.	Typ.	Max.	Unit	Condition
UART	Logic output voltage TXD, DTR	VsOH1	2.8	-	-	VDC	IOH= 1.6mA
		VsOL1	-	-	0.4	VDC	IOL=-1.6mA
I <sup>2</sup> C I/F	Logic output voltage TRDY, SBUSY	VsOH2	2.8	-	-	VDC	IOH= 1.6mA
		VsOL2	-	-	0.4	VDC	IOL=-1.6mA
	Internal pull-up resistance SDA,SCL	Rp		10		kΩ	—
SPI	Logic output voltage TRDY, SBUSY, MISO	VsOH3	2.8	-	-	VDC	IOH= 1.6mA
		VsOL3	-		0.4	VDC	IOL=-1.6mA

#### General purpose I/O port and power 3.3V voltage

Measuring conditions: ambient temperature = 25 °C, VCC=5.0VDC

Parameter		Symbol	Min.	Typ.	Max.	Unit	Condition
General-purpose I/O port	Logic input current Port 0,1,2,3	IiIH	-	-	1.0	μADC	-
		IiIL	-	-	-200	μADC	-
	Logic input voltage Port 0,1,2,3	ViiH	2.4	-	3.3	VDC	-
		ViiL	0	-	0.8	VDC	-
	Logic output voltage Port 0,1,2,3	ViOH	2.8	-	-	VDC	IiOHp = -200μA
		ViOL	-	-	0.4	VDC	IiOLp = 1.6mA
Power 3.3V	Logic output voltage 3.3V	VpOH	3.0	-	3.6	VDC	IpOHp = -20mA

**Power 3.3V is used internal logic, so external noise injection must be avoided to prevent product malfunction.**

#### General purpose I/O port and power 3.3V output permissible current

Measuring conditions: ambient temperature = 25 °C, VCC=5.0VDC

Parameter		Symbol	Min.	Typ.	Max.	Unit	Condition
General-purpose I/O port	Output current port 0,1,2,3 (Single port)	IiOHp	0	-	-5	mADC	-
		IiOLp	0	-	5	mADC	-
	Output current port 0,1,2,3 (Sum of all port)	IiOHt	0	-	-80	mADC	Including power 3.3V
		IiOLt	0	-	80	mADC	-
Power 3.3V	Output current 3.3V (Single port)	IpOHp	0	-	-20	mADC	-

**Output current should not exceed the above values.**

**Please be sure to add a current limiting resistor in the output line if driving an LED or other device that may otherwise draw excessive current.**

#### Power supply condition

Measuring conditions: ambient temperature = 25 °C, VCC=5.0VDC, IpOHp=0mA

Parameter		Symbol	Min.	Typ.	Max.	Unit	Condition
Power supply current	ICC-1	-	720	940	mADC	Brightness 100% All black display	
	ICC-2	-	460	-	mADC	Brightness 50% All white display	
	ICC-3	-	230	300	mADC	Display power OFF	
	ICC-4	-	65	95	mADC	Sleep mode Wakeup on GPIO	
Power consumption	P-1	-	3.6	4.7	W	Brightness 100% All black display	
	P-2	-	2.3	-	W	Brightness 50% All white display	
	P-3	-	1.2	1.5	W	Display power OFF	
	P-4	-	0.3	0.5	W	Sleep mode Wakeup on GPIO	

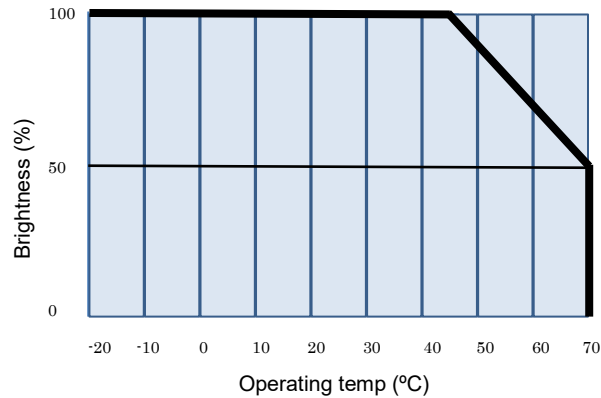
**The rise time of supply voltage should not exceed 100ms.**

**Inrush current at power-on may exceed twice normal current.**



#### 4 Environmental Specifications

Operating temperature: -20 to +70 °C  
 Storage temperature: -30 to +80 °C  
 Operating humidity: Temp. ≤60 °C, 80% RH MAX. (No condensation)  
 Temp. > 60 °C , Absolute humidity shall be less than 80% RH at 60 °C (No condensation)  
 Storage humidity: Temp. ≤60 °C, 80% RH MAX. (No condensation)  
 Temp. > 60 °C , Absolute humidity shall be less than 80% RH at 60 °C (No condensation)  
 Vibration (non-operating): 10-55-10Hz, all amplitude 1mm, 30 minutes, X-Y-Z  
 Shock (non-operating): 392m/s<sup>2</sup> (40G) 9ms X-Y-Z, 3 times each direction  
 Brightness derating:



#### 5 Optical Specifications (at 25°C)

LCD type: TFT, negative, transmission  
 Brightness TFT with touch panel: Typ. 425 cd/ m<sup>2</sup> (nit) 50% brightness  
 Min. 500 cd/ m<sup>2</sup> (nit) Typ. 850 cd/ m<sup>2</sup> (nit) 100% brightness  
 (White screen at the center of display)  
 Color: RGB  
 View direction: 12 o'clock  
 Gray scale inversion direction: 6 o'clock

#### 6 Physical Specifications

Number of pixels: 800 × RGB × 480  
 Display area: 154.08mm × 85.92mm (Diagonal 7.0 inches)  
 Pixel pitch: 0.1926mm × 0.179mm  
 Weight: Approximately 267g

#### 7 Applicable Specifications

Applicable reliability specification: TT-99-3102x  
 Applicable production specification: TT-98-3413x

## 8 Interface Details

USB, UART, I<sup>2</sup>C, and SPI serial interfaces are included on this module. The module will accept data from any configured interface. Response data is generally transmitted via the USB interface if it is active or via the configured serial interface otherwise (refer to 8.3 Transmit data interface).

### 8.1 USB Interface (CN3)

#### 8.1.1 USB Interface – Summary

The USB interface is USB 2.0 High-speed (480Mbps) / Full-speed (12 Mbps) capable.

Typically, the supplied USB driver is used, and the display module is accessed via a “Virtual COM port” (refer to **USB VCOM Driver Installation Manual DS-1972-0000-xx**). The display module can also be used as a *WinUSB* device, using the standard *WinUSB* driver.

Alternatively, refer to USB Interface – Technical Details (below) if using the USB interface with a custom driver or embedded system, etc.

Refer to the [USB 2.0 Specification](#) for further details.

#### 8.1.2 USB Interface – Technical Details

The device has a single configuration, with a single interface, supporting two endpoints for data transfer:

Endpoint	Type	Maximum packet size
Endpoint 0	Control	64 bytes
Endpoint 1	Bulk IN	Full speed: 64 bytes, High speed: 512 bytes
Endpoint 2	Bulk OUT	Full speed: 64 bytes, High speed: 512 bytes

Vendor ID: 0EDA (hex)

Product ID: 1200 (hex)

Device class and interface class: FF (hex) (vendor-specific)

USB serial number: Firmware F1.00 onwards: Unique serial number

Prior firmware: Not supported

*WinUSB* compatibility:

Firmware versions F1.00 onwards support *Microsoft OS String Descriptors*, which enable automatic recognition of *WinUSB* compatibility for applicable operating systems (manual configuration, using an .inf file, is also possible). The Device Interface GUID reported by the device is {6120D798-D192-4463-B0DE-2B65ED2F4870}. This GUID is used by applications on the host in order to access the device.

## 8.2 Serial Interface (CN9)

One of three modes is selected by jumpers J5 and J6. For all modes, the SBUSY/ DTR signal reflects the state of the receive buffer. This can be used for flow control if necessary. Data received is stored in the internal receive buffer, and processed in order of receipt. The TRDY signal indicates whether or not there is data currently held in the transmit buffer.

### Buffer capacity

Receive buffer	2,047 bytes
Transmit buffer	127 bytes

### SBUSY / DTR signal change timing

SBUSY change	'L'(READY)→'H'(BUSY)	'H'(BUSY) →'L'(READY)
Receive buffer space	62 bytes or less	128 bytes or more

### TRDY signal change timing

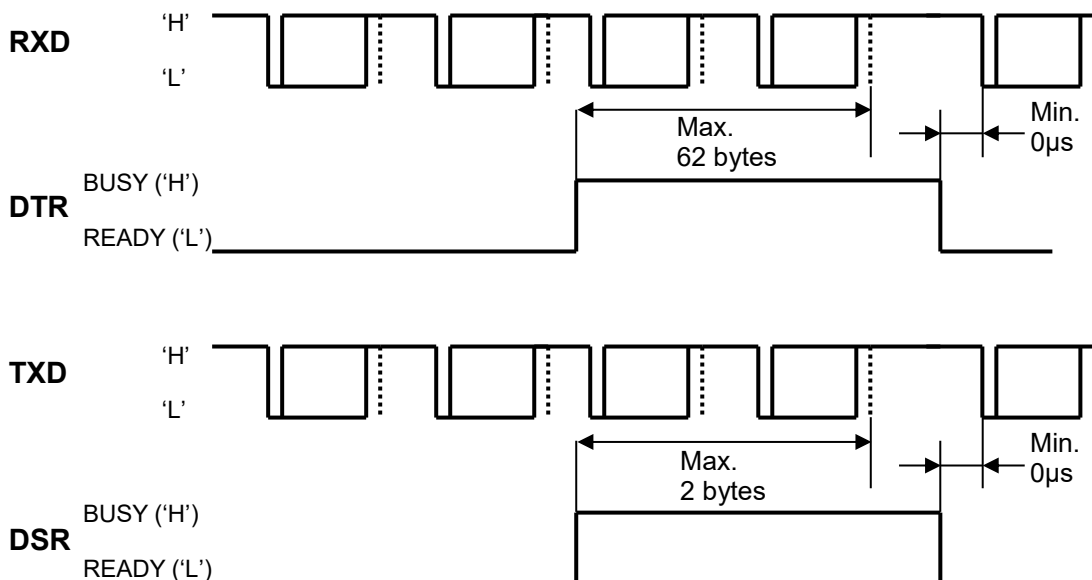
TRDY	READY('H')	EMPTY('L')
Condition	Data in transmit buffer	No data in transmit buffer

### 8.2.1 UART Mode (J5 = SHORT, J6 = SHORT)

Interface conditions:

Baud rate	4800 to 115200bps (set by jumper and memory SW) <b>Default setting: 38400bps</b>
Parity	None, even, odd (set by memory SW) <b>Default setting: None</b>
Format	Start (1 bit) + data (8 bit) + parity (0 or 1 bit) + stop (1 bit)
Communication control signal	DSR, DTR, /TRDY

- Data transmitted from the display is placed in the internal transmit buffer and sent, in order, when DSR = READY.



**8.2.2 SPI Mode (J5 = OPEN, J6 = OPEN)**

Display module operates as an SPI slave; data is sent and received in response to host (master) operations.

SSEL= 1 → 0 → 1 is one command sequence.

1st byte	Operation mode
44h	Data write (Host → Module)
54h	Data read (Host ← Module)
58h	Status read (Host ← Module)

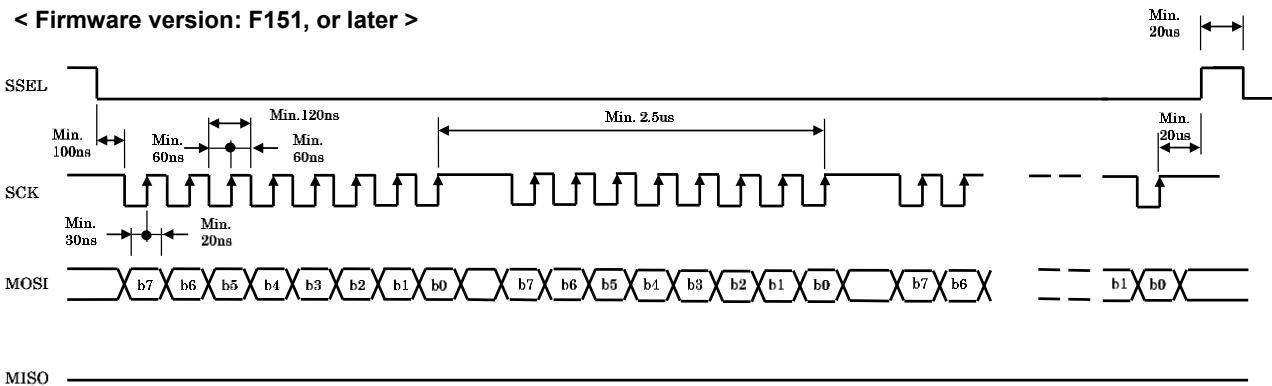
**Data write**

When 44h is input as the first byte, the module receives the 2nd and subsequent bytes as data.

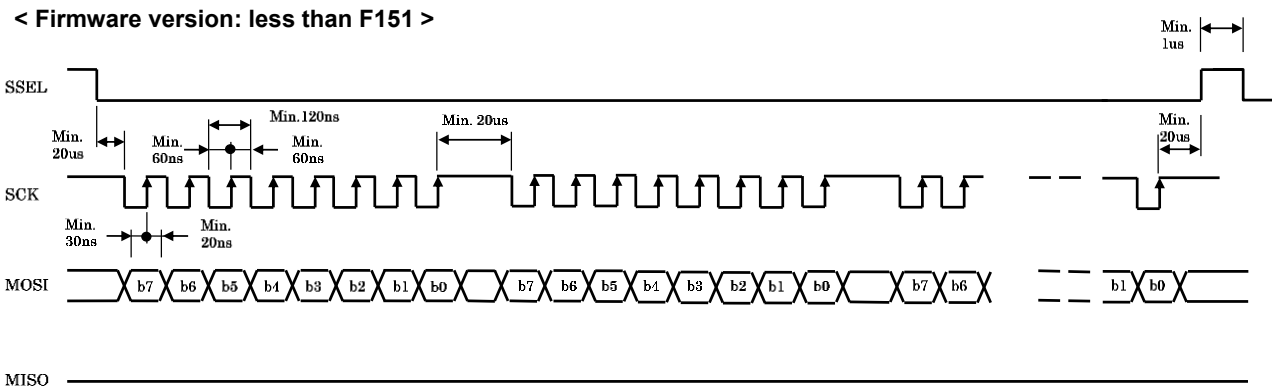
	1st byte	2nd byte	3rd byte	---	n byte
MOSI	44h	Data(1)	Data(2)	---	Data(n-1)
MISO	-	-	-	---	-

**Timing (data write)**

< Firmware version: F151, or later >



< Firmware version: less than F151 >



Please refer to 13 Lot No./ Firmware Version Specification for the firmware version.

**Data read**

When 54h is input as the first byte, the module outputs valid data on the 3rd and subsequent bytes. The host must read the number of bytes reported by the immediately preceding Status Read command. **The number of bytes reported by the status read command will be transmitted, with any unread bytes discarded.**

	1st byte	2nd byte	3rd byte	---	n byte
MOSI	54h	-	-	---	-
MISO	-	00h	Data(1)	---	Data(n-2)

**Status Read**

When 58h is input as the first byte, the module outputs status data. **For the 3rd and any subsequent bytes, the most recent status data is provided.**

	1st byte	2nd byte	---	n byte
MOSI	58h	-	---	-
MISO	-	Status	Status	Status

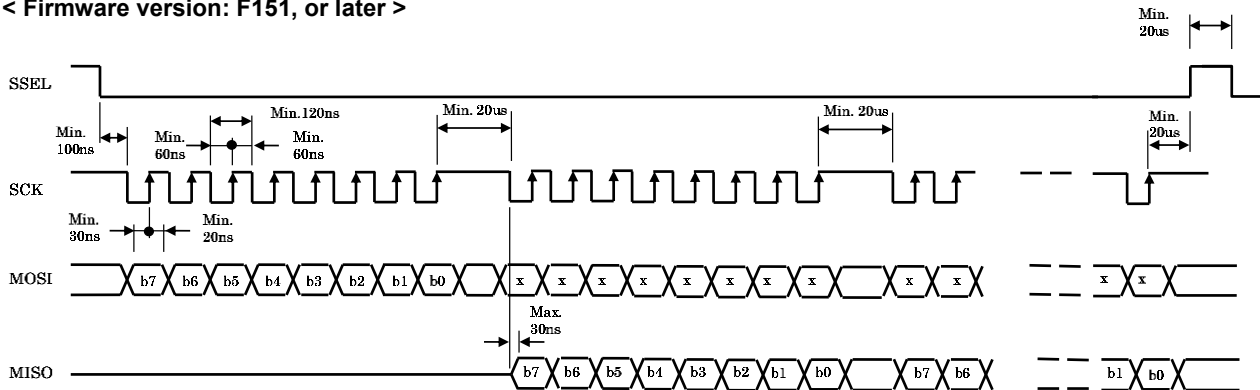
**Status bit assignment**

b7	b6	b5	b4	b3	b2	b1	b0
SBUSY	0*	TL(b5)	TL(b4)	TL(b3)	TL(b2)	TL(b1)	TL(b0)

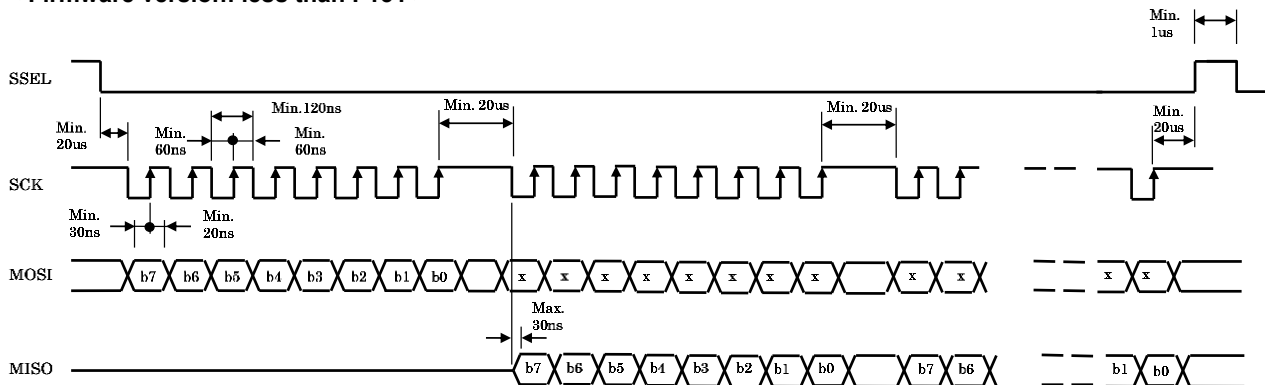
SBUSY : SBUSY signal  
 TL : Number of transmit data bytes available (maximum 63 bytes)  
 \*: If b6 is 1, the status byte is invalid.

**Timing (data read, status read)**

< Firmware version: F151, or later >



< Firmware version: less than F151 >



Please refer to 13 Lot No./ Firmware Version Specification for the firmware version.

**8.2.3 I<sup>2</sup>C Mode (J5 = SHORT, J6 = OPEN)**

Slave address is set by Jumpers J0 and J1.

J0	J1	Function
OPEN	OPEN	I <sup>2</sup> C Slave Address = 50h
SHORT	OPEN	I <sup>2</sup> C Slave Address = 51h
OPEN	SHORT	I <sup>2</sup> C Slave Address = 52h
SHORT	SHORT	I <sup>2</sup> C Slave Address = 53h

Note: Module does not respond to the General call address (00h).

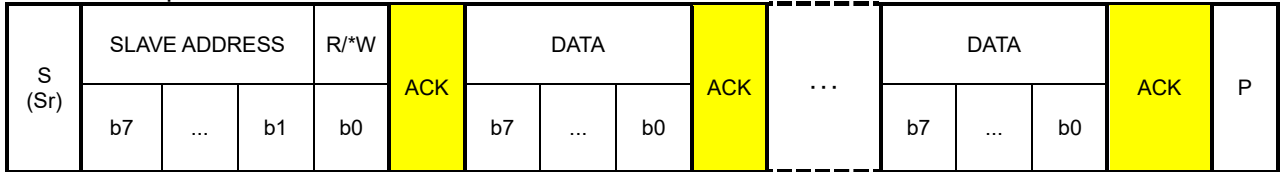
**Communication Parameters**

Baud rate	Max. 400kbps
Format	I <sup>2</sup> C
Slave address	Set by J0 and J1 (Default setting: 50h)
Supported functions	ACK response, Clock stretch
Communication control signals	SBUSY, TRDY

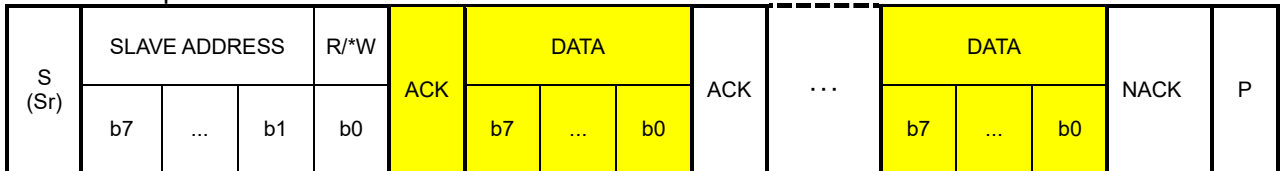
\*Note: If clock stretch is applied during processing of a command, the host (master) will not be able to send or receive any more data until command processing has finished.

If TRDY = EMPTY, FFh is transmitted from the module in response to a read sequence. In addition to the Clock stretch function, flow can also be controlled by monitoring the MBUSY signal. MBUSY signal changes according to the receive buffer state. The host should send data when MBUSY=READY (refer to 8.2 Serial Interface (CN9)).

**Data write sequence**



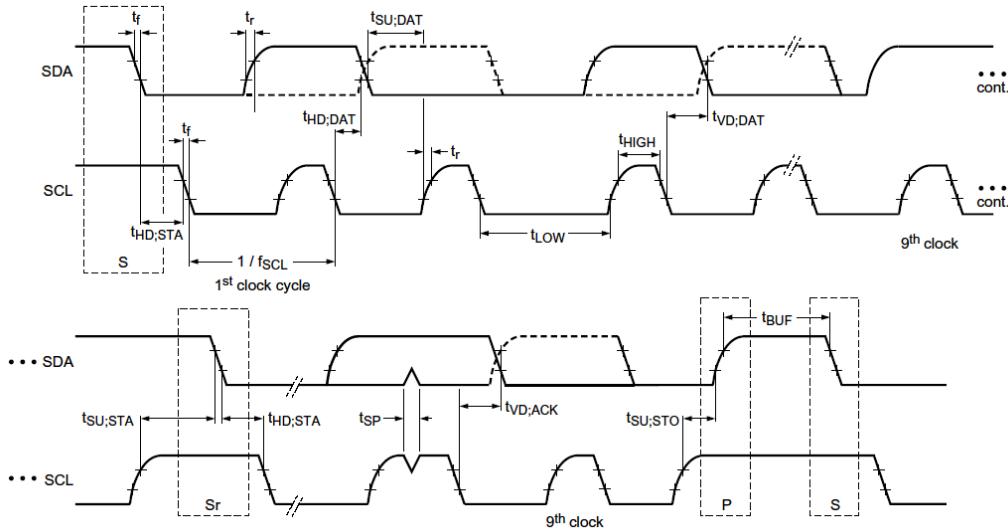
**Data read sequence**



Host (master) is transmitter, display module (slave) is receiver

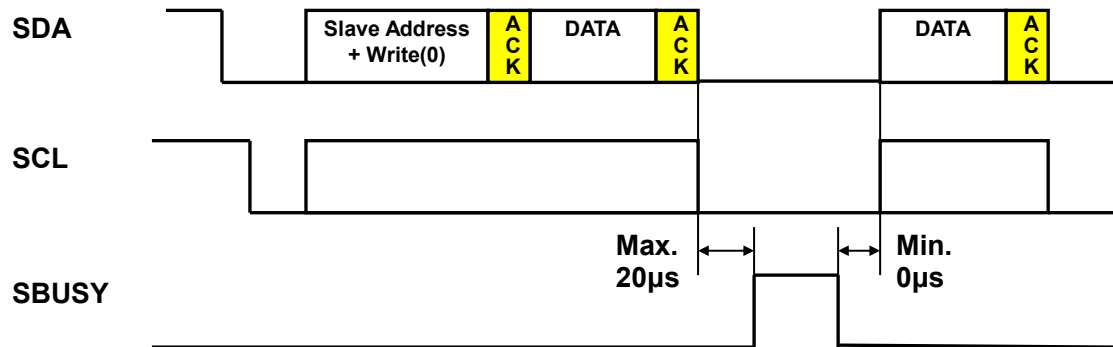
Host (master) is receiver, display module (slave) is transmitter

I<sup>2</sup>C Timing

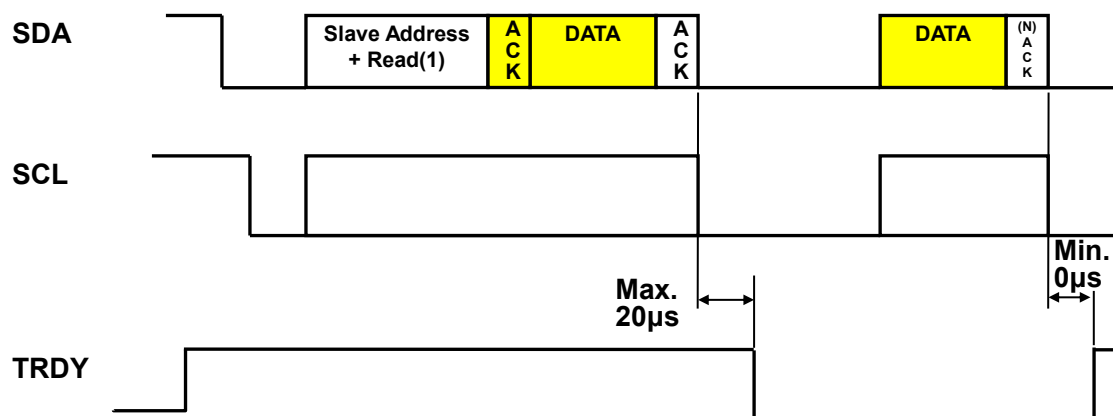


Parameter	Symbol	Condition	Min.	Typ.	Max.	Unit
SCL clock frequency	$f_{SCL}$	-	0	-	400	kHz
Start condition hold time	$t_{HD,STA}$	-	0.6	-	-	$\mu s$
SCL 'L' time	$t_{LOW}$	-	1.3	-	-	$\mu s$
SCL 'H' time	$t_{HIGH}$	-	0.6	-	-	$\mu s$
Start condition setup time	$t_{SU,STA}$	-	0.6	-	-	$\mu s$
Data hold time	$t_{HD,DAT}$	-	0	-	-	$\mu s$
Data setup time	$t_{SU,DAT}$	-	100	-	-	ns
SCL, SDA rise time	$t_r$	-	20	-	300	ns
SCL, SDA fall time	$t_f$	-	-	-	300	ns
Stop condition setup time	$t_{SU,STO}$	-	0.6	-	-	$\mu s$
Stop condition – start condition bus idle time	$t_{BUF}$	-	20	-	-	$\mu s$

Data Write Sequence



Data Read Sequence



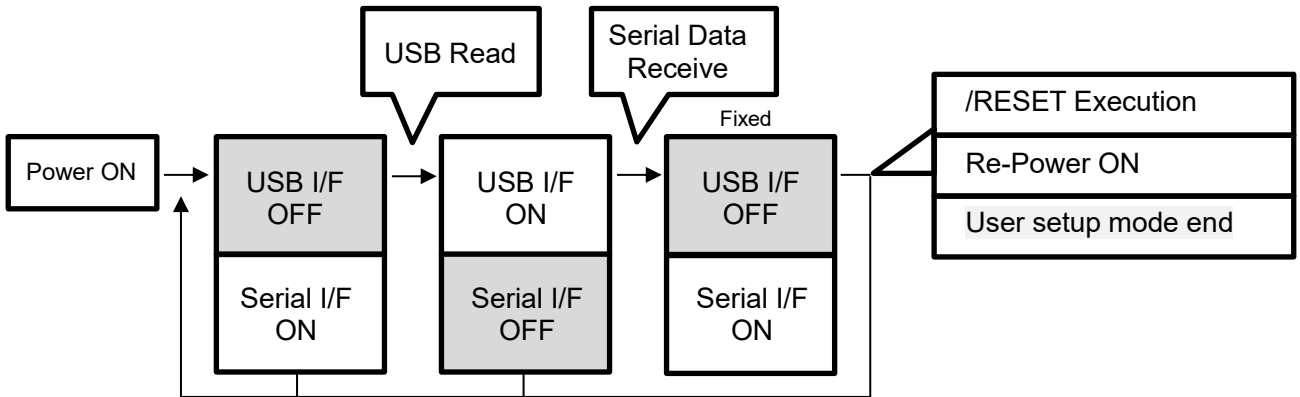
### 8.3 Transmit data interface

If the USB interface is used in addition to a Serial interface, confusion can arise over which interface data transmitted from the display module is sent via.

Initially, the configured Serial interface is selected for transmit data.

If the USB interface is active and a USB read is attempted by the host (ie, a USB bulk-IN transaction is directed at the device's Endpoint 1), the USB interface is selected for transmit data.

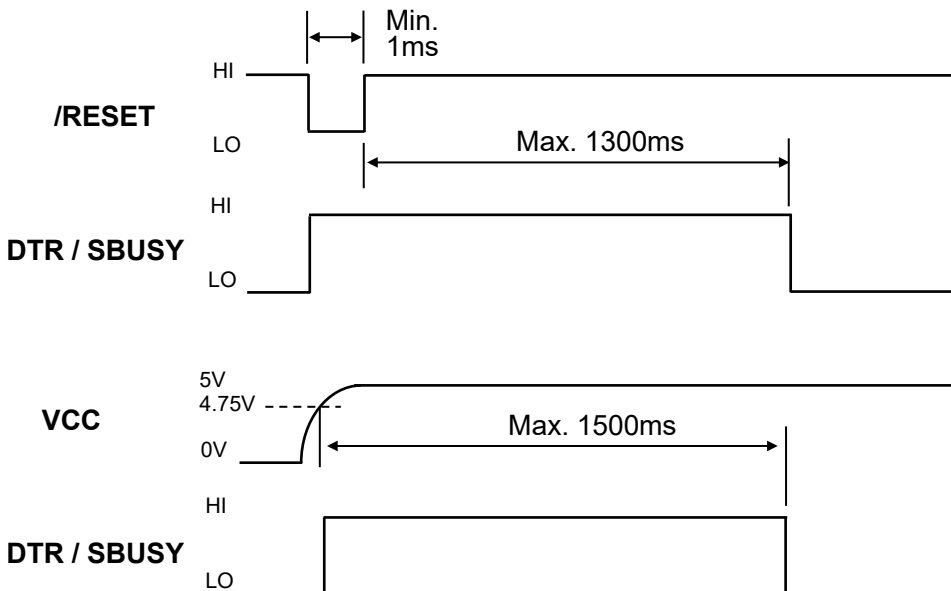
However, if data is subsequently received on the configured Serial port, the configured Serial port is then used instead, from that point onwards, for all transmit data (regardless of USB activity). This state continues until an external reset, power cycle, or "User setup mode end" command.



### 8.4 Reset

This product can be reset by inputting a LO signal to /RESET.

Note: After releasing /RESET, there is a delay, as shown below, before the module is ready to receive data. The DTR / SBUSY signal should be monitored to confirm that data is able to be received.





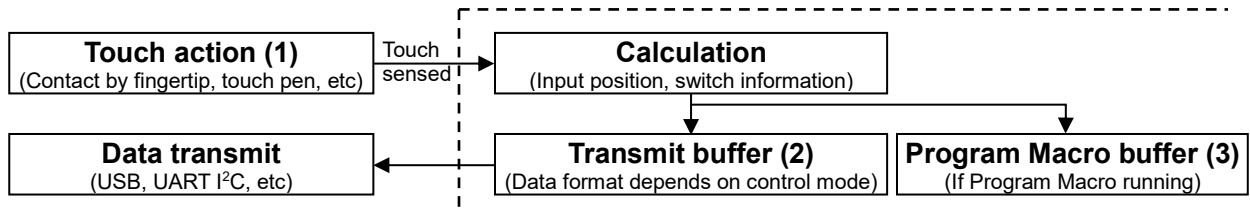
## 9 FLETAS Touch Panel

### 9.1 Outline

Detection method: MPCT (Metallised Projective Capacitive Touch) supporting multi-touch.  
Material: Glass

### 9.2 Basic Operation

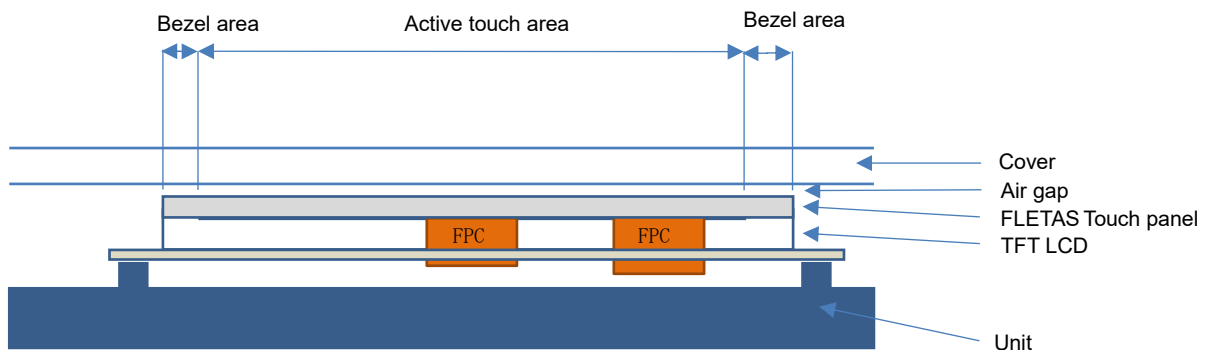
The display module features a FLETAS touch panel for handling input by fingertip or touch pen, etc. The FLETAS touch panel function sends data for the input position or operation of user-defined switch buttons.



Refer to “General Function” Software Specification for details.

## 10 Installation Method

FLETAS touch panels are made of glass. When using this product, please be sure to install a protective overlay such as cover glass, acrylic plate, etc. Since this touch panel is capacitive type, touch won't work if a conductive material is placed on the touch area or bezel area. Please use non-conductive material like a glass or acrylic panel as a cover. An example is shown below.



Installation example

- Because edges and corners are sharp of FLETAS touch panel, please be careful with installation.
- If it gives a strong shock it may cause destruction.
- Do not hold a cable (FPC) of FLETAS touch panel. Also, do not install such as to stress the cable.
- Please handle this product carefully because it is a precision part. When holding this product, please touch PCB edge, not FLETAS touch panel.

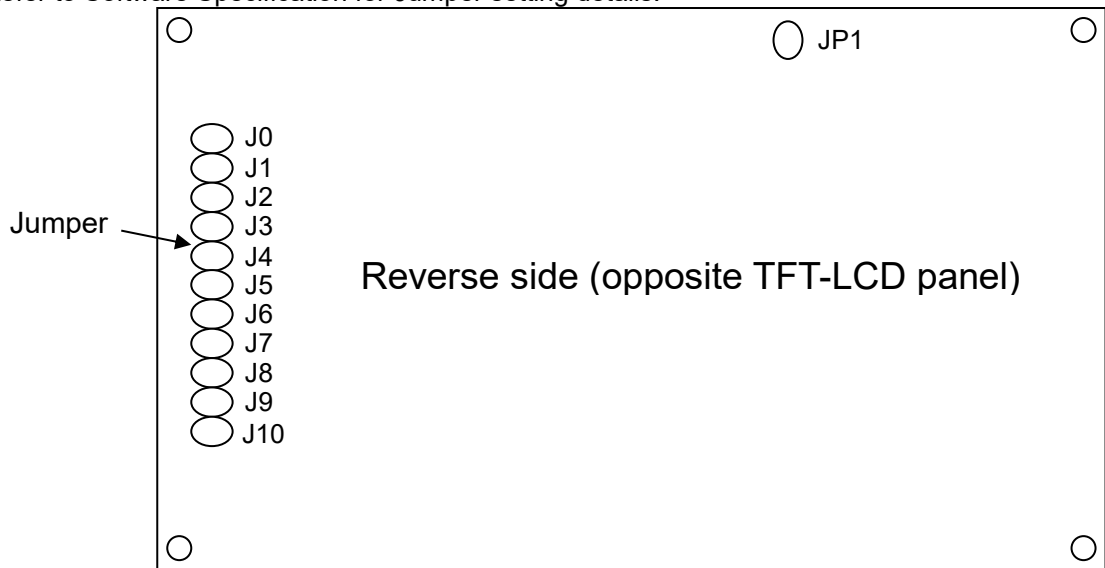
## 11 Setup

### 11.1 Jumper

Jumper	Function	Default
J0	I <sup>2</sup> C Slave Address	Open
J1		Open
J2	Reserved	Open
J3	Baud Rate	Open
J4		Open
J5	Serial Interface (CN9) mode	Open
J6		Open
J7	Macro Start	Open
J8	Reserved	Open
J9	Reserved	Open
J10	FLETAS touch panel calibration mode	Open

Open = "H", Short = "L"

Refer to Software Specification for Jumper setting details.



## 12 Connectors

### 12.1 USB Interface (CN3)

Pin No.	Signal name
1	VBUS
2	D-
3	D+
4	ID
5	GND

Shorting JP1 enables power supply from VBUS.

### 12.2 Power Through-holes (CN8)

Pin No.	Signal name	Function
1	VCC	Power supply (5V)
2	NC(*TEST)	No connection (factory test use only)
3	GND	Ground

\* Factory use only (leave this pin open)

### 12.3 Serial Interface & Power Through-holes (CN9)

Pin No.	Signal name			Function	Direction
	UART	SPI	I <sup>2</sup> C		
1	/RESET	/RESET	/RESET	Reset	Input
2	-	SCK	SCL	Serial clock	Input
3	RXD	MOSI	SDA	Data receive	Input/output
4	DTR	SBUSY	SBUSY	Display busy	Output
5	DSR	SSEL	-	Host busy	Input
6	TXD	MISO	-	Data send	Output
7	TRDY	TRDY	TRDY	Target ready	Output
8	VCC	VCC	VCC	Power supply (5V)	-
9	GND	GND	GND	Ground	-

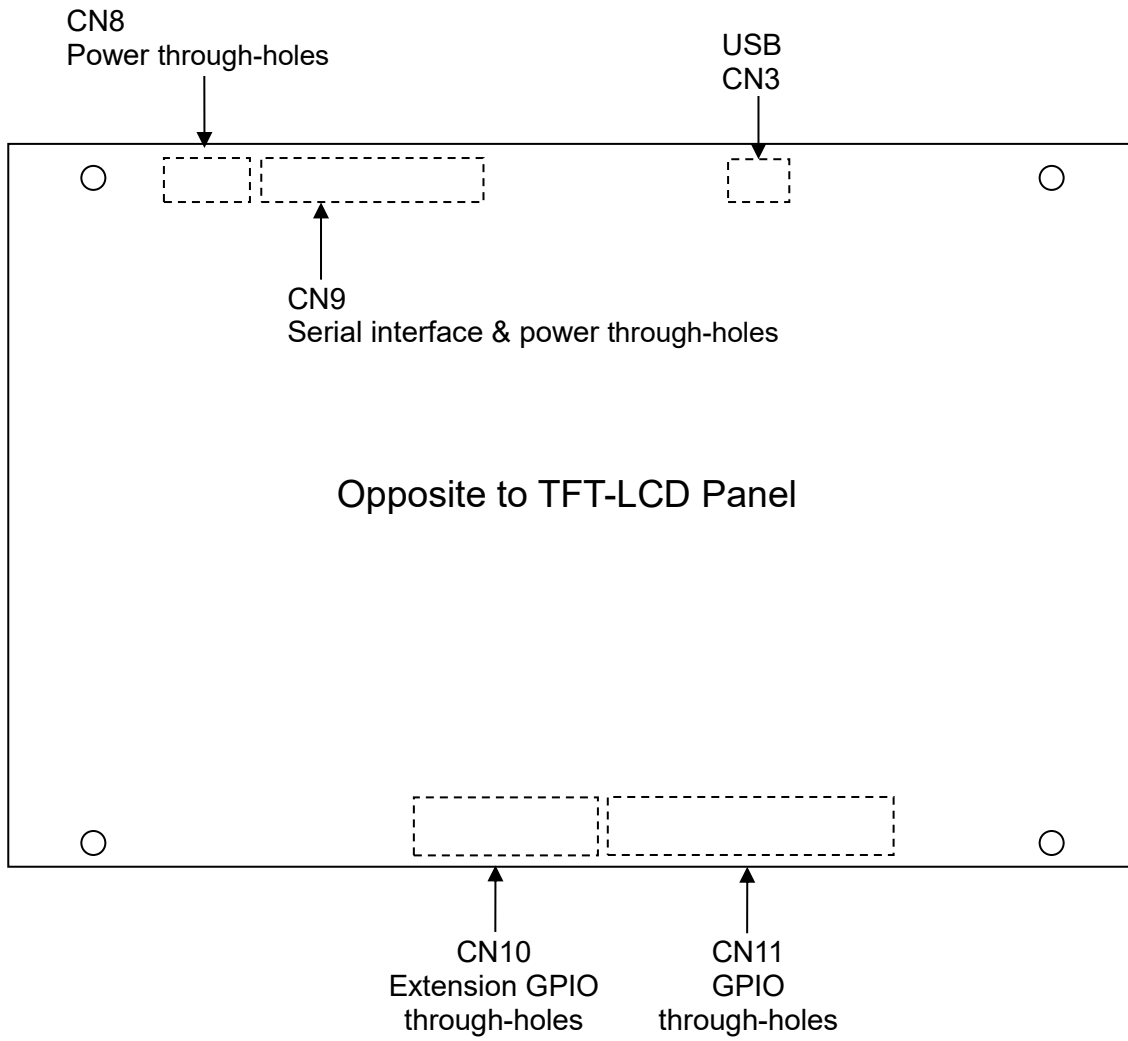
### 12.4 Extension General Purpose I/O Port Through-holes & Power Through-holes (CN10)

Pin No.	Signal name	Function	Direction	Pin No.	Signal name	Function	Direction
1	VCC	Power supply (5V)	Input	2	3.3V	3.3V	Output
3	GPIO 25	Port 3	Input/output	4	GPIO 24	Port 3	Input/output
5	GPIO 23	Port 2		6	GPIO 22	Port 2	
7	GPIO 21			8	GPIO 20		
9	GPIO 19			10	GPIO 18		
11	GPIO 17			12	GPIO 16		
13	GND	Ground		Input	14	GND	

### 12.5 General Purpose I/O Port Through-holes & Power Through-holes (CN11)

Pin No.	Signal name	Function	Direction	Pin No.	Signal name	Function	Direction
1	VCC	Power supply (5V)	Input	2	3.3V	3.3V	Output
3	GPIO 15	Port 1	Input/output	4	GPIO 14	Port 1	Input/output
5	GPIO 13			6	GPIO 12		
7	GPIO 11			8	GPIO 10		
9	GPIO 9			10	GPIO 8		
11	GPIO 7	Port 0		12	GPIO 6	Port 0	
13	GPIO 5			14	GPIO 4		
15	GPIO 3		16	GPIO 2			
17	GPIO 1		18	GPIO 0			
19	GND	Ground	Input	20	GND	Ground	Input

### 12.6 Connector Position



**13 Lot No./ Firmware Version Specification**

Lot No. and firmware version are attached on the product. They are determined based on the following specifications.

Example:

Lot No.	Firmware Ver.
$\begin{array}{cccccc} \underline{18} & \underline{C} & \underline{22} & \underline{E} & \underline{H} & \\ \text{A} & \text{B} & \text{C} & \text{D} & \text{E} & \end{array}$	$\begin{array}{c} \underline{F100b} \\ \text{F} \end{array}$

A: Production year

The last two digits of the year are indicated.

B: Production month

The production month is indicated by one alphabetic character.

January: A, February: B to December: L

C: Production date

The production date is indicated by one or two digits.

D: Manufacturing factory

Indicates the factory that was manufactured.

E: Omiya factory in Japan

E: Identification of RoHS compliant

Indicates the identification of RoHS compliant products.

H: RoHS compliant

F: Firmware version

Indicates the firmware version.

In test mode and information read command,

F100 may be described as 1.00.

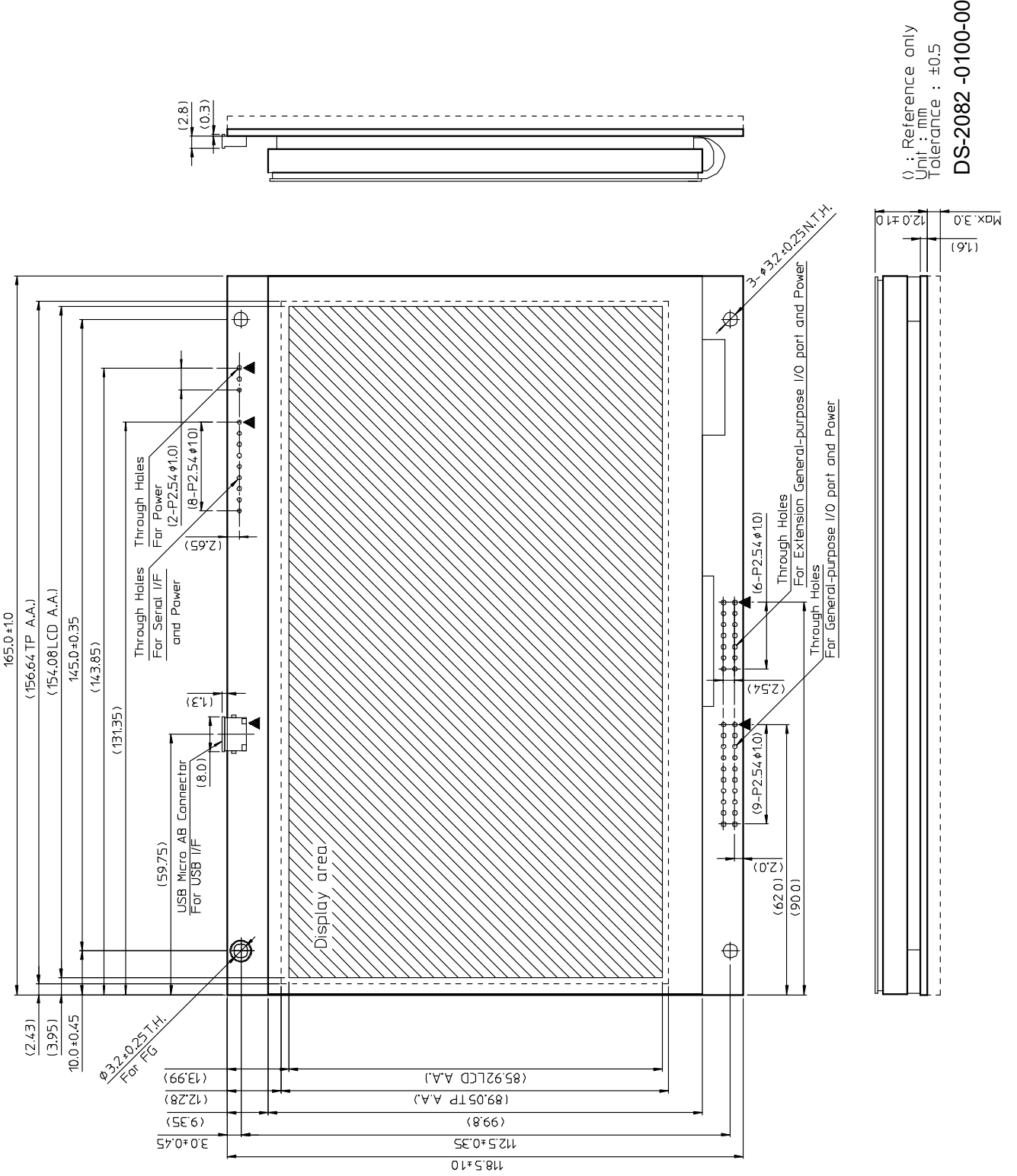
Lowercase letters indicate font versions.

First edition: a, 2<sup>nd</sup> edition: b, 3<sup>rd</sup> edition: c ...

The example above is a RoHS compliant product with firmware version 1.00b manufactured at the Omiya Plant on March 22, 2018.

### 14 Physical Dimensions

Mounting holes are close to the panel; use caution when assembling.



(): Reference only  
 Unit : mm  
 Tolerance : ±0.5  
**DS-2082 -0100-00**

**Revision history**

Specification number	Date	Revision
DS-2082-0001-00	Nov. 29, 2019	Initial issue This product is basically identical to the GT800X480A-C903PA, but with a replaced TFT panel.
DS-2082-0001-01	Dec. 26, 2019	1.2 Outline The following functions have been added. Display orientation function Power saving function 3.3 Electrical Characteristics Power supply condition Power supply current: ICC-4 has been added. Power consumption: P-4 has been added. 9.3 Coordinates Correction (calibration) Content deleted. 9.3.1 Correction Procedure Content deleted.