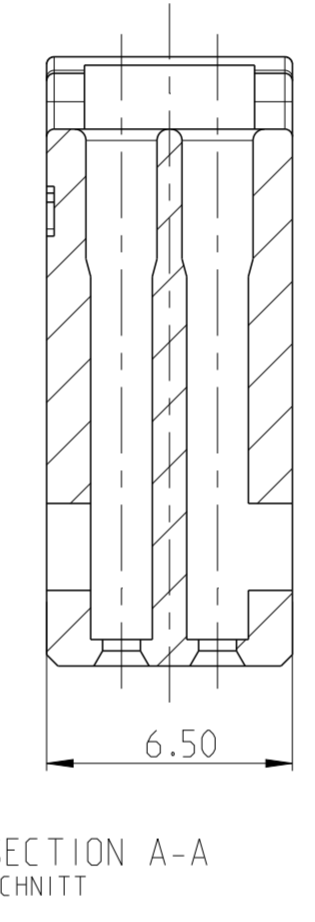
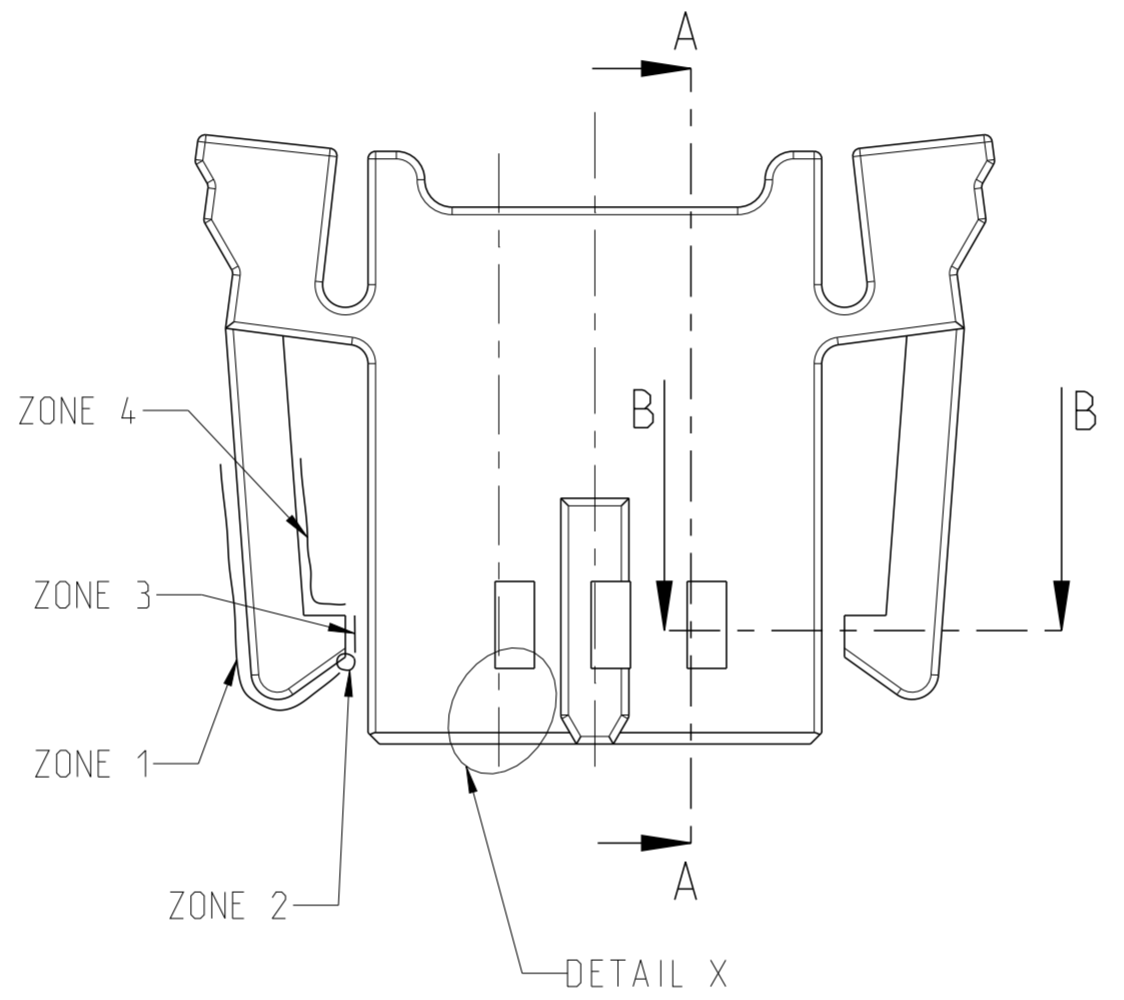
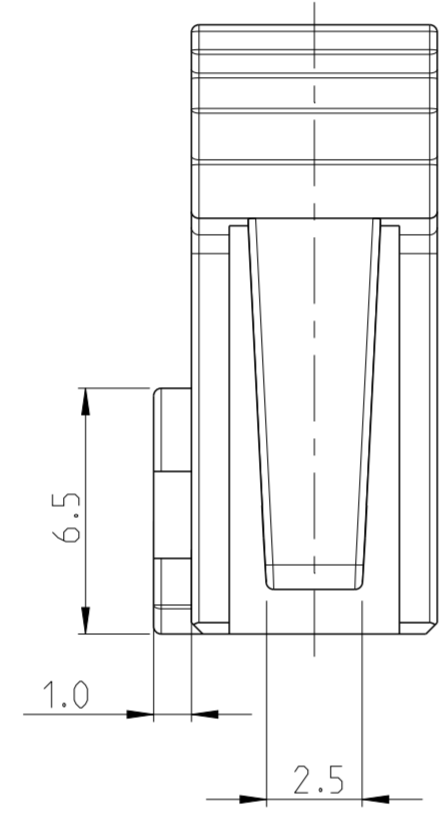
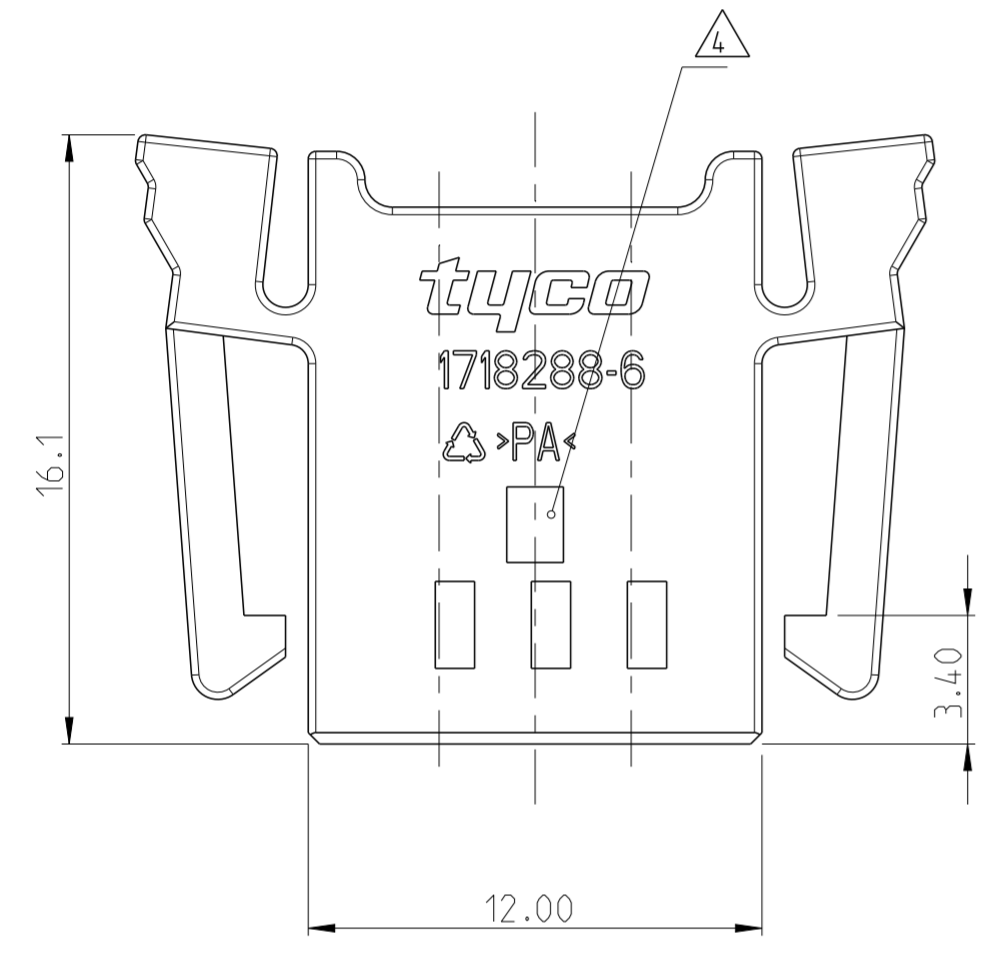
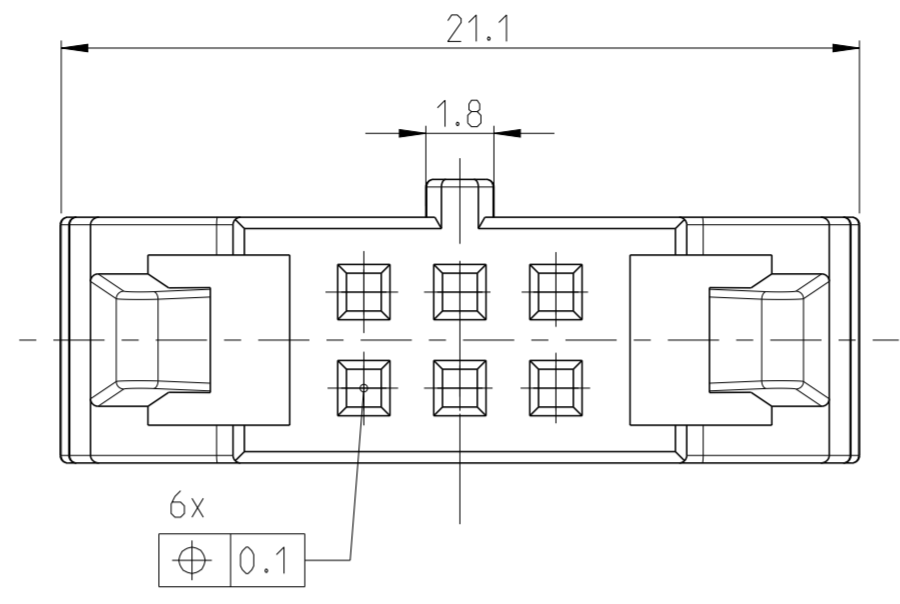
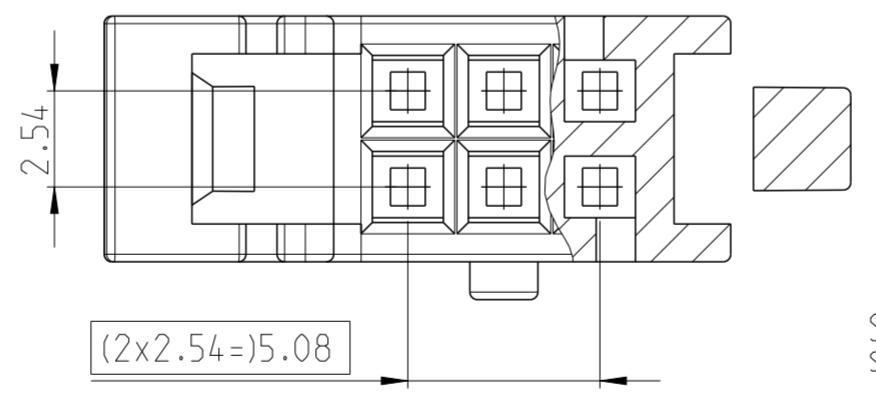
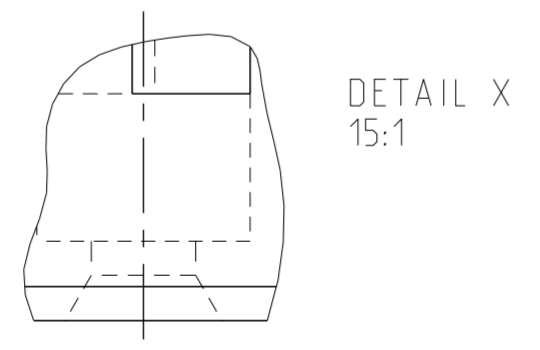


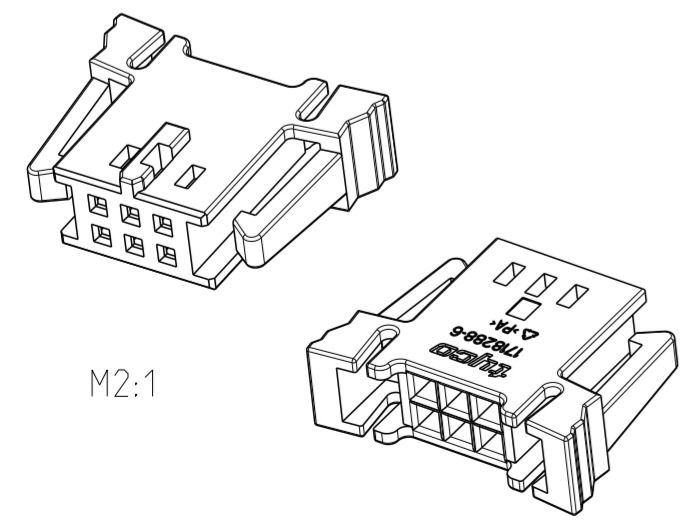
REVISIONS				
P	LTR	DESCRIPTION	DATE	APVD
B		NEW DRAWING - CD	14APR2014	TJ JK
B1		NOTE 6 ON BURR/FLASH LIMIT ADDED	11MAR2015	KJK PS



- REMARKS:
- 1 MATERIAL: PA, COLOUR BLACK
 - 2 ALL SYMBOLS 1.5 HIGH
 - 3 HOUSING FOR CONTACTS ACC. TO TE SPEC. 108-25021 AND 114-25003
 - 4 CAVITY MARKING
 - 5 PACKAGING: 250 LOOSE PARTS PIECE IN CARDBOARD-BOX WITH PAPER CUSHION ON THE UPPER AND LOWER SIDE
 - 6 BURRS/FLASHES ALLOWED ON THE LATCH SURFACE AS FOLLOWS
 ZONE 1 - MAX 0.25mm
 ZONE 2 - MAX 1.75mm
 ZONE 3 - MAX 1.0mm
 ZONE 4 - MAX 0.5mm



-6 AS SHOWN



THIS DRAWING IS A CONTROLLED DOCUMENT.		DWN MOHAMMED THAJUDEEN CHK PRASHANTH S APVD JAYANTH KUMAR	14 APR 2014 14 APR 2014 14 APR 2014	TE Connectivity	
DIMENSIONS: mm 		TOLERANCES UNLESS OTHERWISE SPECIFIED: 0 PLC ±0.15 1 PLC ±0.15 2 PLC ±0.1 3 PLC ± 4 PLC ± ANGLES ±° FINISH		NAME: 6 POS. AMPMODU IV HOUSING SIZE: A2 CAGE CODE: - DRAWING NO: C-1718288 RESTRICTED TO: -	
MATERIAL: 1		WEIGHT: -		SCALE: 5:1 SHEET: 1 OF 1 REV: B1	
Customer Drawing					