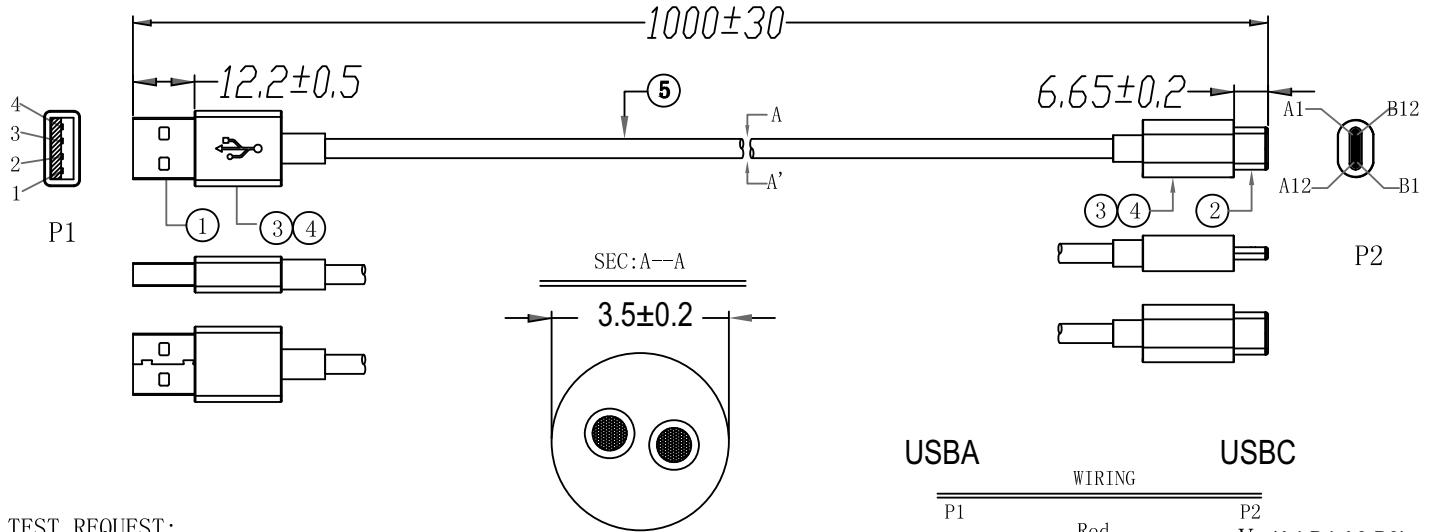


PROPRIETARY INFORMATION:
 PROPRIETARY OF GLOBTEK, INC. ANY REPRODUCTION, DISCLOSURE OR USE OF THIS DRAWING, IN WHOLE OR IN PART, IS HEREBY PROHIBITED EXCEPT AS SPECIFIED IN WRITING BY GLOBTEK, INC.

REVISION			
REV	DESCRIPTION	DATE	APPROVED
A	INITIAL RELEASE, RFS.27300, DH	03/22/19	MK
B	CLARIFY THE CONNECTION FOR 'USBA' and 'USBC', RFS. 27554	7/15/20	MK
C	UPDATE CABLE DIMENSION TO 3.5±0.2mm , RFS. 27730	7/13/22	MK




TEST REQUEST:

- 1) 100% OPEN, SHORT, MISS WIRE TEST.
- 2) Insulation resistance; DC300V 10Mohm Min.
- 3) Conductor resistance: 5 ohm Max

USBA		USBC	
WIRING			
P1		P2	
1	Red	V	(A4,B4,A9,B9)
4	Black	GND	(A1,B1,A12,B12)

NO.	PARTS NAME	SPECIFICATION DESCRIPTION	QT' Y	UN.
⑤	Cable	22AWG (45/0. 10BC)*2C(Red, Black) Jacket: 0D3.0 White PVC	1000	mm
④	PE	LD-PE	5	G
③	Molding	45P PVC Color: White	10	G
②	USB C TYPE 2.0	USB TYPE C 2.0 Solder Type ,The Pin Gold Plated , Shell Nickel Plated	1	PC
①	USB A/Male	USB A/Male, Solder Type, The Pin Gold Plated, Shell Nickel Plated	1	set

DASH NO.	PART NO	REV.	DESCRIPTION	NOTES
TABULATION BLOCK				
		TOLERANCES: DECIMALS ANGULAR .xx +/- 0.1 +/- 1° .xxx +/- .005		 GlobTek, Inc. 186 Veterans Dr. Northvale, NJ 07647 Tel. 201-784-1000 Fax 201.784.0111 www.globtek.com
		MILLIMETERS ANGULAR .xx +/- 0.3 +/- 1° .xxx +/- .013		
Foot Note: Globtek Inc. will not be liable for the safety and performance of these power product if unauthorized access and repair occurs. End user should consult the applicable UL, CSA or EN Standards for proper installation instruction.		Limitation of Use: Globtek product are not authorized for use as mission critical components in life support, hazardous environment, nuclear or aircraft applications without prior written approval from the CEO of Globtek Inc.		DWG TITLE: DETACHABLE USB CORD, USB A TO USB C TYPE 2.0, WHITE
Contents of this document are subject to change without prior notice		INIT.BY: DH DATE: 03/22/19	FSCN No.: G, CC SIZE A	MODEL: N / A REV. C
		APRVD: MK DATE: 03/22/19	SCALE: NONE	PART NO: USBA2C1M0USBC-WH(R) SHEET 1/1