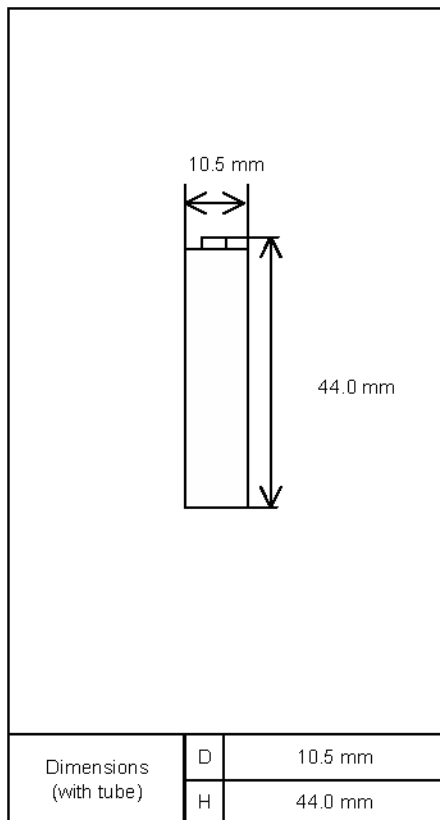


### Specifications

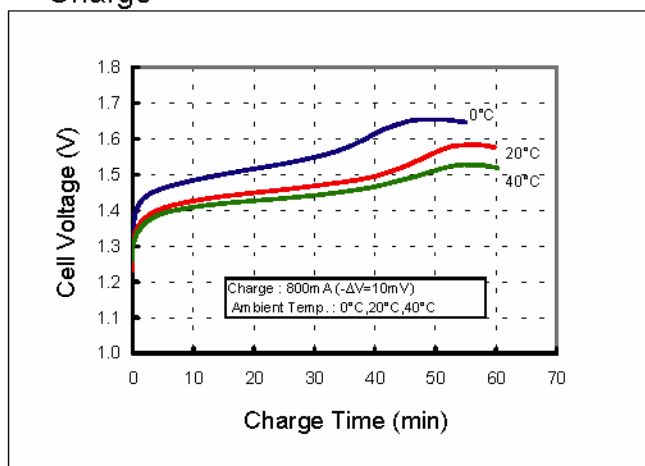


Type : Nickel-Metal Hydride Battery		Size : AAA Consumer Type	
Capacity $\varphi$	Typical	800mAh	
	Minimum	740mAh	
Nominal Voltage		1.2V	
Charging Current $\times$ Time	Fast Charge $\varphi$	800 mA $\times$ about 1.1h	
Ambient Temp.	Charge Condition	Fast Charge $\varphi$	0°C - 40°C
	Discharge Condition		0°C - 50°C
	Storage Condition	Less than 30days	-20°C - 50°C
		Less than 90days	-20°C - 40°C
Less than 1year		-20°C - 30°C	
Internal Impedance $\varphi$ (after discharge to E.V.=1.0V)		Approx. 40m $\Omega$ (at 1000Hz)	
Weight $\varphi$		Approx. 13 g	
Size $\varphi$ : (Diameter) $\times$ (Height)		10.5(D) $\times$ 44.0(H) mm	

- 1) Single cell capacity under the following condition.  
Charge : 80mA $\times$ 16h, Discharge : 160mA(E.V.=1.0V) at 20°C
- 2) Use recommended charging system.
- 3) After a few charge and discharge cycles under the above 1) condition.
- 4) With tube.

### Typical Characteristics

#### Charge



#### Discharge

