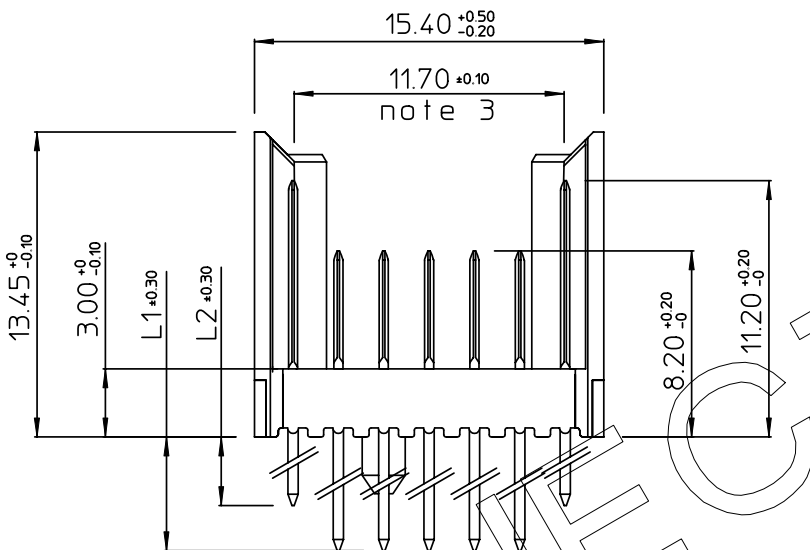
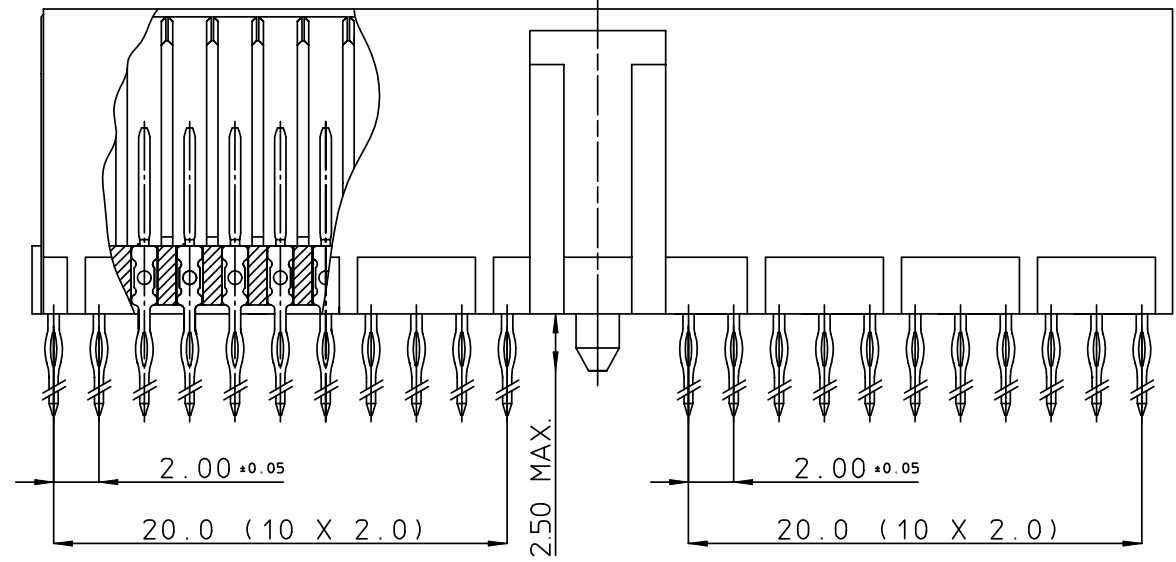


REV.	DATE	DESCRIPTION	BY	C'K'D'
A	2001-09-14	CONVERSION REVISION 07	KN	
B	2005-10-07	105-0184	ALEX B	BKP
C	2006-07-04	106-0096	VIVEK	BKP



PERFORMANCE CHARACTERISTICS

CURRENT RATING : 1.5 A AT 20°C (FULLY LOADED)
 1 A AT 70°C (FULLY LOADED)

RATED VOLTAGE : 500 V AC (CONT / CONT)

OPERATING TEMPERATURE : -55°C TO 125°C

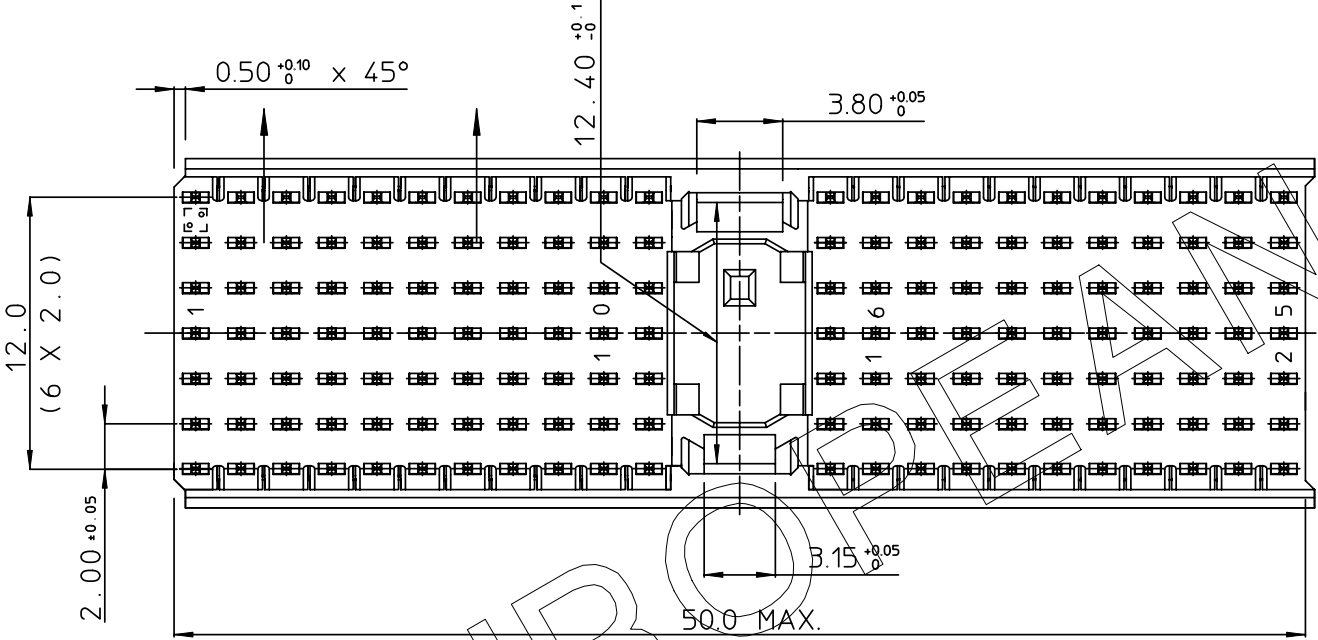
CONTACT RESISTANCE : 20 mΩ MAX

INSERTION FORCE : 0.75 N MAX / CONT

EXTRACTION FORCE : 0.15 N MIN / CONT

INSULATION RESISTANCE : 10⁴ MΩ MIN

CAT. NR.	L1±0.3	L2±0.3	DESCRIPTION
HM2P07PD5111----	3.7	3.7	SHORT PRESS-FIT
HM2P07PC5111----	4.5	4.5	SHORT PRESS-FIT
HM2P07PK5111----	13	4.5	REAR PLUG-UP: LEVEL 1
HM2P07PM5111----	14.5	4.5	REAR PLUG-UP: LEVEL 2
HM2P07PN5111----	16	4.5	REAR PLUG-UP: LEVEL 3
HM2P07PT5111----	13	4.5	WIRE WRAP



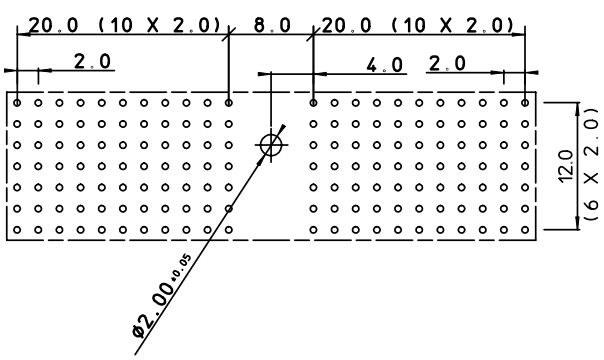
NOTES

1. "HM2P07P#5111" PERFORMANCE LEVEL INDICATOR (REFER DWG No. BS,C ,201844,003)

LEAD FREE INDICATOR : LF=LEAD FREE (DIGIT 15&16)

- THIS PRODUCT IS CSA APPROVED.
THIS PRODUCT IS UL RECOGNIZED.
- MEASURED AT THE BOTTOM.
- FOR RECOMMENDED PTH DIMENSIONS REFER DRAWING : BS,A ,201572,001
- THE PRODUCT (LF) MEETS EUROPEAN UNION DIRECTIVES AND OTHER COUNTRY REGULATIONS AS DESCRIBED IN GS-22-008

LAY-OUT
P.C.B. - HOLE

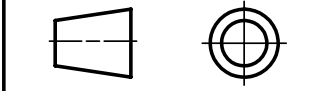


THIS IS OUR EXCLUSIVE PROPERTY. IT IS NOT TO BE COPIED, REPRINTED OR DISCLOSED TO A THIRD PARTY, NOR USED FOR MANUFACTURING WITHOUT OUR WRITTEN CONSENT, AND HAS TO BE RETURNED TO US IN CASE OF NO USAGE

DIT IS ONZE EIGENDOM EN MAG NOCH NAGEMAAKT. HERDRUKT, OVERGEMAAKT AAN DERDEN, NOCH VOOR FABRIKATIE GEBRUIKT WORDEN, ZONDER ONZE SCHRIFTELIJKE TOELATING. BIJ NIET GEBRUIK IS TERUGZENDING VERPLICHT.

MALE SIGNAL STRAIGHT PRESS-FIT-TO-BOARD CONNECTOR WITH SERVICECENTER (WIDE BODY)

1DEC ±0,2 2DEC ±0,1 ANGLES ±1°	APPR.	DATE	SIGN.	MILLIPACS 2 / TYPE A / SHIELDED
	DRAFT	1994-05-16	W.Panis	CAT. No. HM2P07P#5111----
	CHECKED			SCALE
WE RESERVE THE RIGHT TO CHANGE DIMENSIONS OR REQUIREMENTS WITHOUT PRIOR NOTICE.	PROD. MGR.			FCI www.fciconnect.com
	PR. ENG. MGR.			3 / 1
	PR. MGT. MGR.			



REFERENCES

BS,C ,201632,007 C
 DRAWING No. CUSTOMER DRAWING REVISION
 STATUS: Released Printed: Dec 01, 2007