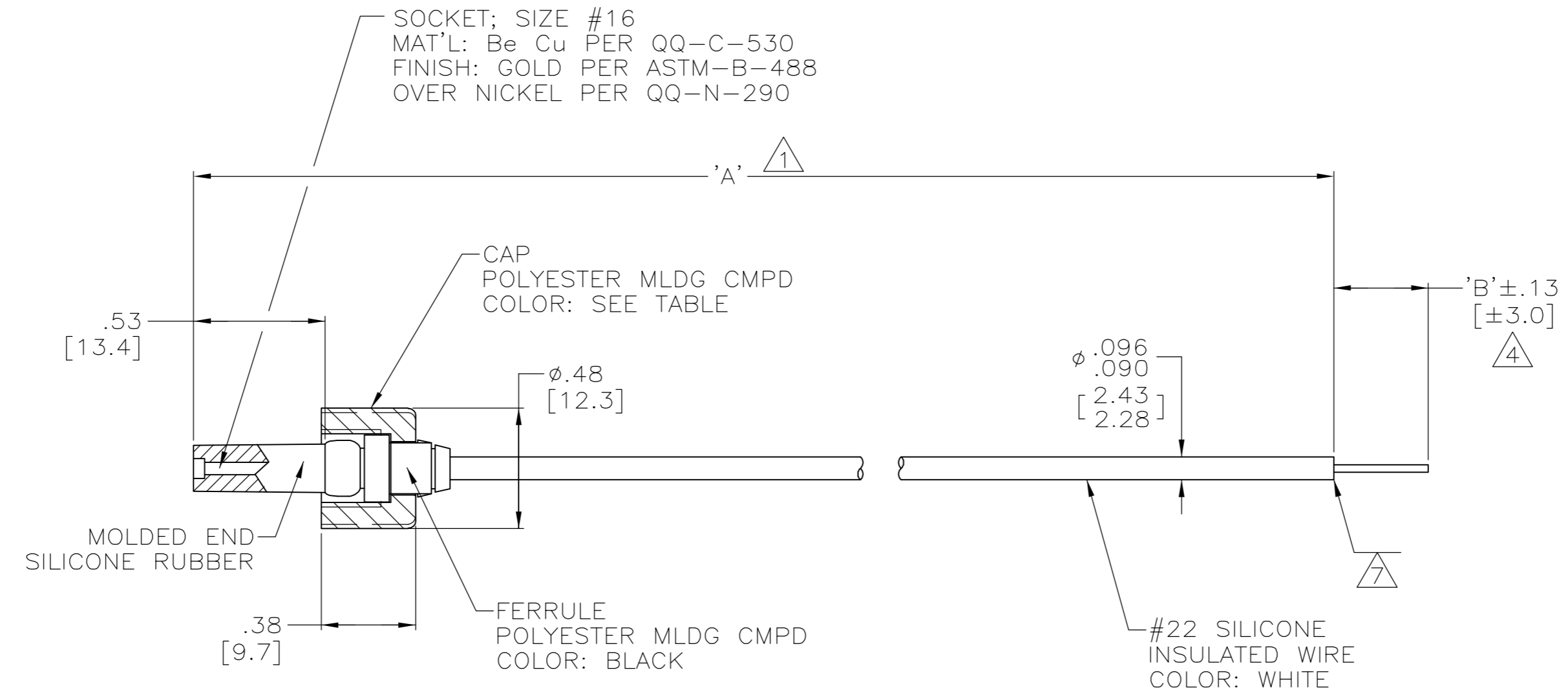


THIS DRAWING IS UNPUBLISHED. RELEASED FOR PUBLICATION - .N/A .
 © COPYRIGHT N/A BY TYCO ELECTRONICS CORPORATION. ALL RIGHTS RESERVED.

LOC	DIST	REVISIONS					
		P	LTR	DESCRIPTION	DATE	DWN	APVD
DF	S0	W		REV PER ECO-05-002582	06-05	AA	DE

PART NO.	'A' $\triangle 1$	'B'	CAP COLOR	REMARKS
860424-1	12.00 [304.80]	.38 [9.7]	GREEN	$\triangle 4$
860424-2	12.00 [304.80]	.38 [9.7]	RED	OBSOLETE
860424-3	8.00 [203.20]	.38 [9.7]	GREEN	$\triangle 4$
860424-4	10.00 [254.00]	.38 [9.7]	GREEN	$\triangle 4$
860424-5	10.00 [254.00]	.38 [9.7]	BLACK	OBSOLETE
860424-6	4.75 [120.65]	.25 [6.3]	GREEN	OBSOLETE
860424-7	9.50 [241.30]	.38 [9.7]	RED	OBSOLETE
860424-8	12.00 [304.80]	.38 [9.7]	GREEN	OBSOLETE
860424-9	5.50 [139.70]	-	GREEN	OBSOLETE
1-860424-0	11.25 [285.75]	-	GREEN	OBSOLETE
1-860424-1	10.50 [266.70]	-	GREEN	OBSOLETE
1-860424-2	15.50 [393.70]	.38 [9.7]	GREEN	OBSOLETE
5-860424-4	10.00 [254.00]	.38 [9.7]	GREEN	$\triangle 4$

- $\triangle 1$ TOLERANCE OF LEAD LENGTH:
UP TO 24 INCHES [609.6] = ± 1.2 [± 3.0]
24 INCHES [609.6] & UP = $\pm 1\%$
- $\triangle 2$ AMP INFORMATION MARKED PER MIL-STD-130.
- 3. TO MATE WITH AMP LGH-1/2 RECEPTACLE WITH .53 [13.5] BARREL DEPTH.
- $\triangle 4$ PIGTAIL SOLDER DIPPED.
- 5. OPERATING VOLTAGE: 10 KVDC AT 0 TO 70,000 FEET, -55°C TO 125°C.
- $\triangle 6$ LEAD MARKING (PER TABLE) MARKED PER MIL-STD-130; .08 CHARS.
- $\triangle 7$ INSULATION CUT TO LENGTH, BUT NOT REMOVED.



THIS DRAWING IS A CONTROLLED DOCUMENT.		DWN R.J. RINEHART 15-MAR-90	Tyco Electronics Corporation Harrisburg, Pa 17105-3608																			
DIMENSIONS: INCHES		CHK D. EABY 12-NOV-91																				
TOLERANCES UNLESS OTHERWISE SPECIFIED:		APVD D. EABY 12-NOV-91	NAME LEAD ASSEMBLY, POSITIVE STOP LGH-1/2, SPECIAL SILICONE WIRE (.53 MOLDED END)																			
<table border="1"> <tr><td>0 PLC</td><td>\pm</td><td>-</td></tr> <tr><td>1 PLC</td><td>\pm</td><td>-</td></tr> <tr><td>2 PLC</td><td>\pm</td><td>.01 [0.3]</td></tr> <tr><td>3 PLC</td><td>\pm</td><td>-</td></tr> <tr><td>4 PLC</td><td>\pm</td><td>-</td></tr> <tr><td>ANGLES</td><td>\pm</td><td>-</td></tr> </table>		0 PLC	\pm	-	1 PLC	\pm	-	2 PLC	\pm	.01 [0.3]	3 PLC	\pm	-	4 PLC	\pm	-	ANGLES	\pm	-	PRODUCT SPEC -	SIZE A2	CAGE CODE 00779
0 PLC	\pm	-																				
1 PLC	\pm	-																				
2 PLC	\pm	.01 [0.3]																				
3 PLC	\pm	-																				
4 PLC	\pm	-																				
ANGLES	\pm	-																				
MATERIAL SEE CALLOUTS		FINISH SEE CALLOUTS	WEIGHT -	DRAWING NO C=860424																		
CUSTOMER DRAWING			SCALE 2:1	SHEET 1 OF 1																		

860424