

ICS25-B100X98-V-5015 - Mounting base housing



1072379

<https://www.phoenixcontact.com/us/products/1072379>

Please be informed that the data shown in this PDF document is generated from our online catalog. Please find the complete data in the user documentation. Our general terms of use for downloads are valid.



DIN rail housing, Lower housing part with metal foot catch, Level 1: with vents, width: 25 mm, height: 100 mm, depth: 108.35 mm, color: blue (5015), cross connection: DIN rail connector (optional), number of positions cross connector: 8

Your advantages

- Flexible use, thanks to the modular system and unique modularity in the connection technology
- Standardized connections such as RJ45, USB, D-SUB and antenna sockets as components that can be integrated
- Optimal space utilization, as well as adaptability of design, colors, and printing
- Eight-position DIN rail connectors with parallel and up to two serial contacts for easy module-to-module communication

Commercial data

Item number	1072379
Packing unit	1 pc
Minimum order quantity	10 pc
Sales key	AC09
Product key	ACHAEB
GTIN	4055626763439
Weight per piece (including packing)	47.26 g
Weight per piece (excluding packing)	39.5 g
Customs tariff number	85389099
Country of origin	DE

ICS25-B100X98-V-5015 - Mounting base housing



1072379

<https://www.phoenixcontact.com/us/products/1072379>

Technical data

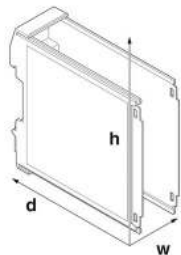
Notes

General	Refer to the data sheet for the range in the download area.
General	Material of contact pads for bus connector, galvanic gold (hard gold)

Product properties

Product type	Enclosure bottom part
Product family	ICS25
Max. number of positions	24 (pitch: 5 mm) 30 (pitch: 3.5 mm)
Number of rows	4
Type	Lower housing part with metal foot catch
Housing type	DIN rail housing
Ventilation openings present	yes
Housing series	ICS

Dimensions

Dimensional drawing	
Width	25 mm
Height	100 mm
Depth	108.35 mm
Depth from top edge of DIN rail to support point on upper part	98.15 mm
Dimensions	25 mm x 100 mm x 110 mm (Lower housing part from the top edge of the DIN rail with upper housing part) 25 mm x 100 mm x 116.7 mm (Lower housing part with upper housing part)

PCB design

PCB thickness	1.4 mm ... 1.8 mm
---------------	-------------------

Material specifications

Color	blue (5015)
Flammability rating according to UL 94	V0
CTI according to IEC 60112	600
Surface characteristics	untreated
Housing material	Polyamide

Environmental and real-life conditions

Power dissipation single housing for 20 °C

Ambient temperature	20 °C
Reduction factor	1
Mounting position	vertical
Power dissipation	17 W

Power dissipation single housing for 30 °C

Ambient temperature	30 °C
Reduction factor	0.81
Mounting position	vertical
Power dissipation	13.5 W

Power dissipation single housing for 40 °C

Ambient temperature	40 °C
Reduction factor	0.67
Mounting position	vertical
Power dissipation	11.4 W

Power dissipation single housing for 50 °C

Ambient temperature	50 °C
Reduction factor	0.53
Mounting position	vertical
Power dissipation	9 W

Power dissipation single housing for 60 °C

Ambient temperature	60 °C
Reduction factor	0.41
Mounting position	vertical
Power dissipation	7 W

Power dissipation single housing for 70 °C

Ambient temperature	70 °C
Reduction factor	0.31
Mounting position	vertical
Power dissipation	5.3 W

Vibration test

Specification	IEC 60068-2-6:2007-12
Frequency	10 - 150 - 10 Hz
Sweep speed	1 octave/min
Amplitude	0.15 mm (10 Hz ... 58.1 Hz)
Acceleration	2g (58.1 Hz ... 150 Hz)
Test duration per axis	2.5 h
Test directions	X-, Y- and Z-axis

ICS25-B100X98-V-5015 - Mounting base housing



1072379

<https://www.phoenixcontact.com/us/products/1072379>

Glow-wire test

Specification	IEC 60695-2-11:2014-02
Temperature	850 °C
Time of exposure	30 s

Thermal stability / ball thrust test

Specification	IEC 60695-10-2:2014-02
Temperature	125 °C
Test duration	1 h
Force	20 N

Mechanical strength / tumbling barrel

Specification	IEC 60068-2-31:2008-05
Height of fall	50 cm
Frequency	50

Shocks

Specification	IEC 60068-2-27:2008-02
Pulse shape	Semi-sinusoidal
Acceleration	15g
Shock duration	11 ms
Number of shocks per direction	3
Test directions	X-, Y- and Z-axis (pos. and neg.)

Test for substances that would hinder coating with paint or varnish

Specification	VDMA 24364:2018-05
Result	Test passed

Degree of protection (IP code)

Specification	IEC 60529:1989-11 + AMD 1:1999-11 + AMD 2:2013-08
Result, degree of protection, IP code	IP20

Ambient conditions

Max. IP code to attain	IP20
Ambient temperature (operation)	-40 °C ... 105 °C (depending on power dissipation)
Ambient temperature (storage/transport)	-40 °C ... 55 °C
Ambient temperature (assembly)	-5 °C ... 100 °C
Relative humidity (storage/transport)	80 %

PCB data

Number of PCB holders	2
Type of PCB mount	Latching
Thickness of the PCB	1.4 mm ... 1.8 mm

Mounting

Mounting type	DIN rail mounting
---------------	-------------------

ICS25-B100X98-V-5015 - Mounting base housing



1072379

<https://www.phoenixcontact.com/us/products/1072379>

Mounting position	Vertical (horizontal DIN rail)
-------------------	--------------------------------

Packaging specifications

Type of packaging	packed in cardboard
Outer packaging type	Carton

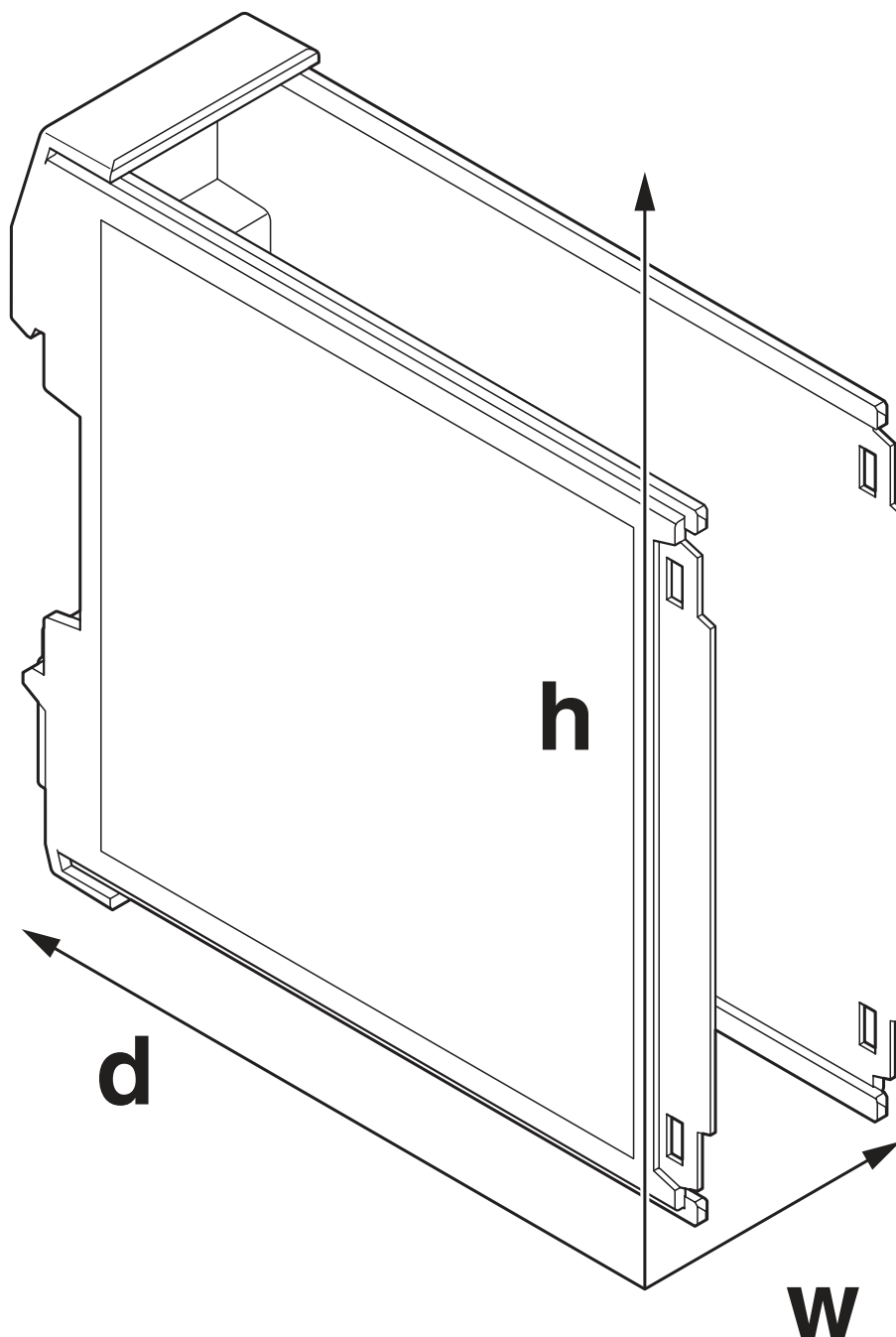
ICS25-B100X98-V-5015 - Mounting base housing

1072379

<https://www.phoenixcontact.com/us/products/1072379>

Drawings

Dimensional drawing



Schematic figure for illustrating the item dimensions. The figure is not of the desired product. For further details, refer to the product drawings in the "Downloads" tab.

ICS25-B100X98-V-5015 - Mounting base housing



1072379

<https://www.phoenixcontact.com/us/products/1072379>

Classifications

ECLASS

ECLASS-11.0	27182702
ECLASS-13.0	27190601

ETIM

ETIM 8.0	EC001031
----------	----------

UNSPSC

UNSPSC 21.0	31261500
-------------	----------

ICS25-B100X98-V-5015 - Mounting base housing



1072379

<https://www.phoenixcontact.com/us/products/1072379>

Environmental product compliance

China RoHS	Environmentally friendly use period: unlimited = EFUP-e
	No hazardous substances above threshold values

ICS25-B100X98-V-5015 - Mounting base housing



1072379

<https://www.phoenixcontact.com/us/products/1072379>

Mandatory accessories

ICS25-C100X12-5015 - Upper part of housing

1072378

<https://www.phoenixcontact.com/us/products/1072378>

DIN rail housing, Upper part, closed, width: 25 mm, height: 100 mm, depth: 14.35 mm, color: blue (5015)



Accessories

ICC25-H/4L5,0-5015 - PCB header

1071451

<https://www.phoenixcontact.com/us/products/1071451>



PCB headers, nominal cross section: 2.5 mm², color: blue, nominal current: 16 A, rated voltage (III/2): 320 V, contact surface: Tin, contact connection type: Pin, number of potentials: 4, number of rows: 1, number of positions: 4, number of connections: 4, product range: ICC...-H/..L5,0, pitch: 5 mm, mounting: Wave soldering, pin layout: Linear pinning, solder pin [P]: 3.5 mm, number of solder pins per potential: 1, Pin connector pattern alignment: Standard, locking: Snap-in locking, mounting: without, type of packaging: Box packaging, Product with pin output on left side

ICS25-B100X98-V-5015 - Mounting base housing

1072379

<https://www.phoenixcontact.com/us/products/1072379>

ICC25-H/4R5,0-5015 - PCB header

1071449

<https://www.phoenixcontact.com/us/products/1071449>



PCB headers, nominal cross section: 2.5 mm², color: blue, nominal current: 16 A, rated voltage (III/2): 320 V, contact connection type: Pin, number of potentials: 4, number of rows: 1, number of positions: 4, number of connections: 4, product range: ICC...-H/..R5,0, pitch: 5 mm, mounting: Wave soldering, pin layout: Linear pinning, solder pin [P]: 3.5 mm, number of solder pins per potential: 1, Pin connector pattern alignment: Standard, locking: Snap-in locking, mounting: without, type of packaging: Box packaging, Product with pin output on right side

ICC25-H/5L3,5-5015 - PCB header

1522853

<https://www.phoenixcontact.com/us/products/1522853>



PCB headers, color: blue, nominal current: 8 A, rated voltage (III/2): 150 V, contact surface: Tin, contact connection type: Pin, number of potentials: 5, number of rows: 1, number of positions: 5, number of connections: 5, product range: ICC...-H/..L3,5, pitch: 3.5 mm, mounting: Wave soldering, pin layout: Linear pinning, solder pin [P]: 2.8 mm, number of solder pins per potential: 1, Pin connector pattern alignment: Standard, locking: Snap-in locking, mounting: without, type of packaging: Box packaging, Product with pin output on left side

ICS25-B100X98-V-5015 - Mounting base housing



1072379

<https://www.phoenixcontact.com/us/products/1072379>

ICC25-H/5R3,5-7035 - PCB header

1084017

<https://www.phoenixcontact.com/us/products/1084017>



PCB headers, color: light grey, nominal current: 8 A, rated voltage (III/2): 150 V, contact surface: Tin, contact connection type: Pin, number of potentials: 5, number of rows: 1, number of positions: 5, number of connections: 5, product range: ICC..-H/..R3,5, pitch: 3.5 mm, mounting: Wave soldering, pin layout: Linear pinning, solder pin [P]: 2.8 mm, number of solder pins per potential: 1, Pin connector pattern alignment: Standard, locking: Snap-in locking, mounting: without, type of packaging: Box packaging, Product with pin output on right side

ICE25-F22H-A1 - Heatsink

1328704

<https://www.phoenixcontact.com/us/products/1328704>



Heatsink for housing series: ICS, type: Heatsink fillers, material: Aluminum, anodized, product range: ICS25, width: 22.4 mm, height: 25 mm, Individual milling possible.

ICS25-B100X98-V-5015 - Mounting base housing

1072379

<https://www.phoenixcontact.com/us/products/1072379>

ICE25-F45H-A1 - Heatsink

1328703

<https://www.phoenixcontact.com/us/products/1328703>



Heatsink for housing series: ICS, type: Heatsink fillers, material: Aluminum, anodized, product range: ICS25, width: 44.9 mm, height: 25 mm, Individual milling possible.

ICE25-R100X22-A1 - Heatsink

1328715

<https://www.phoenixcontact.com/us/products/1328715>



Heatsink for housing series: ICS, material: Aluminum, anodized, product range: ICS25, width: 22.4 mm, height: 25 mm, Individual milling possible.

ICS25-B100X98-V-5015 - Mounting base housing



1072379

<https://www.phoenixcontact.com/us/products/1072379>

ICE25-R100X45-A1 - Heatsink

1328714

<https://www.phoenixcontact.com/us/products/1328714>

Heatsink for housing series: ICS, material: Aluminum, anodized, product range: ICS25, width: 44.9 mm, height: 25 mm, Individual milling possible.

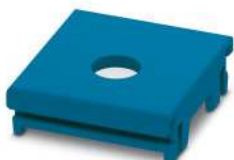


ICS25-F22A-5015 - Connection plate

1071642

<https://www.phoenixcontact.com/us/products/1071642>

DIN rail housing, ICS filler, with antenna function cutout, width: 25 mm, height: 7.25 mm, depth: 22.4 mm, color: blue (5015)



ICS25-B100X98-V-5015 - Mounting base housing

1072379

<https://www.phoenixcontact.com/us/products/1072379>

ICS25-F22A6-5015 - Connection plate

1287368

<https://www.phoenixcontact.com/us/products/1287368>

DIN rail housing, ICS filler, with antenna function cutout, width: 25 mm, height: 7.25 mm, depth: 22.4 mm, color: blue (5015)



ICS25-F22S-5015 - Connection plate

1071794

<https://www.phoenixcontact.com/us/products/1071794>

DIN rail housing, ICS filler, closed, width: 25 mm, height: 7.25 mm, depth: 22.4 mm, color: blue (5015)



ICS25-B100X98-V-5015 - Mounting base housing

1072379

<https://www.phoenixcontact.com/us/products/1072379>

ICS25-F22U-5015 - Connection plate

1071629

<https://www.phoenixcontact.com/us/products/1071629>

DIN rail housing, ICS filler, with USB function cutout, width: 25 mm, height: 7.25 mm, depth: 22.4 mm, color: blue (5015)



ICS25-F22V-5015 - Connection plate

1104318

<https://www.phoenixcontact.com/us/products/1104318>

DIN rail housing, ICS filler, with vents, width: 25 mm, height: 7.25 mm, depth: 22.4 mm, color: blue (5015)



ICS25-B100X98-V-5015 - Mounting base housing

1072379

<https://www.phoenixcontact.com/us/products/1072379>

ICS25-F22J-5015 - Connection plate

1071641

<https://www.phoenixcontact.com/us/products/1071641>



DIN rail housing, ICS filler, with RJ45 function cutout, width: 25 mm, height: 7.25 mm, depth: 22.4 mm, color: blue (5015)

ICS25-F45V-5015 - Connection plate

1104317

<https://www.phoenixcontact.com/us/products/1104317>



DIN rail housing, ICS filler, with vents, width: 25 mm, height: 7.25 mm, depth: 44.9 mm, color: blue (5015)

ICS25-B100X98-V-5015 - Mounting base housing

1072379

<https://www.phoenixcontact.com/us/products/1072379>

ICS25-F45D15-5015 - Connection plate

1071634

<https://www.phoenixcontact.com/us/products/1071634>

DIN rail housing, ICS filler, with D-SUB 15 function cutout, width: 25 mm, height: 7.25 mm, depth: 44.9 mm, color: blue (5015)



ICS25-F45D9-5015 - Connection plate

1071639

<https://www.phoenixcontact.com/us/products/1071639>

DIN rail housing, ICS filler, with D-SUB 9 function cutout, width: 25 mm, height: 7.25 mm, depth: 44.9 mm, color: blue (5015)



ICS25-B100X98-V-5015 - Mounting base housing

1072379

<https://www.phoenixcontact.com/us/products/1072379>

ICS25-F45S-5015 - Connection plate

1071767

<https://www.phoenixcontact.com/us/products/1071767>

DIN rail housing, ICS filler, closed, width: 25 mm, height: 7.25 mm, depth: 44.9 mm, color: blue (5015)



ICS25-F67V-5015 - Connection plate

1287408

<https://www.phoenixcontact.com/us/products/1287408>

DIN rail housing, ICS filler, with vents, width: 25 mm, height: 7.25 mm, depth: 67.3 mm, color: blue (5015)



ICS25-B100X98-V-5015 - Mounting base housing



1072379

<https://www.phoenixcontact.com/us/products/1072379>

ICS25-F67S-5015 - Connection plate

1287433

<https://www.phoenixcontact.com/us/products/1287433>

DIN rail housing, ICS filler, closed, width: 25 mm, height: 7.25 mm, depth: 67.3 mm, color: blue (5015)



ICS MOUNTING DEVICE - Assembly tool

1118354

<https://www.phoenixcontact.com/us/products/1118354>

Equipment for fast, serial-production attachment of printed circuit boards in ICS 20 and ICS 25 housings



ICS25-B100X98-V-5015 - Mounting base housing

1072379

<https://www.phoenixcontact.com/us/products/1072379>



TBUS8-25,0-PPPPPPPP-5015 - DIN rail bus connectors

1071426

<https://www.phoenixcontact.com/us/products/1071426>



DIN rail connector, color: blue, nominal current: 6 A (parallel contacts), rated voltage (III/2): 32 V, number of positions: 8, pitch: 2.54 mm, mounting: DIN rail mounting, locking: without, mounting: without, type of packaging: packed in cardboard, Item with gold-plated contacts, bus connectors for connecting with electronics housings, 8 parallel contacts

TBUS8-25,0-PPPPSSSS-7035 - DIN rail bus connectors

1156781

<https://www.phoenixcontact.com/us/products/1156781>



DIN rail connector, color: light grey, nominal current: 6 A, 4 A (parallel contacts) (Serial contacts), rated voltage (III/2): 32 V, number of positions: 8, pitch: 2.54 mm, mounting: DIN rail mounting, locking: without, mounting: without, type of packaging: packed in cardboard, Item with gold-plated contacts, bus connectors for connecting with electronics housings, 4 parallel contacts/4 serial contacts

ICS25-B100X98-V-5015 - Mounting base housing



1072379

<https://www.phoenixcontact.com/us/products/1072379>

TBUS8-25,0-PPPPPPPS-7035VPE100 - DIN rail bus connectors

1442879

<https://www.phoenixcontact.com/us/products/1442879>

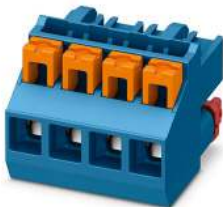


DIN rail connector, color: light grey, nominal current: 6 A, 4 A (parallel contacts) (Serial contacts), rated voltage (III/2): 32 V, number of positions: 8, pitch: 2.54 mm, mounting: DIN rail mounting, locking: without, mounting: without, type of packaging: packed in cardboard, Item with gold-plated contacts, bus connectors for connecting with electronics housings, 7 parallel contacts/1 serial contact

ICC25-PPC2,5/4-5,0-AA-5015 - Printed-circuit board connector

1272011

<https://www.phoenixcontact.com/us/products/1272011>



PCB connector, nominal cross section: 2.5 mm², color: blue, nominal current: 16 A, rated voltage (III/2): 320 V, contact surface: Tin, contact connection type: Socket, number of potentials: 4, number of rows: 1, number of positions: 4, number of connections: 4, product range: ICC...-PPC2,5/...-5,0, pitch: 5 mm, connection method: Push-in spring connection, conductor/PCB connection direction: 0 °, locking clip: - Locking clip, locking: without, mounting: without, type of packaging: packed in cardboard, Color of the spring lever: orange

Phoenix Contact 2023 © - all rights reserved
<https://www.phoenixcontact.com>

Phoenix Contact USA
586 Fulling Mill Road
Middletown, PA 17057, United States
(+717) 944-1300
info@phoenixcon.com