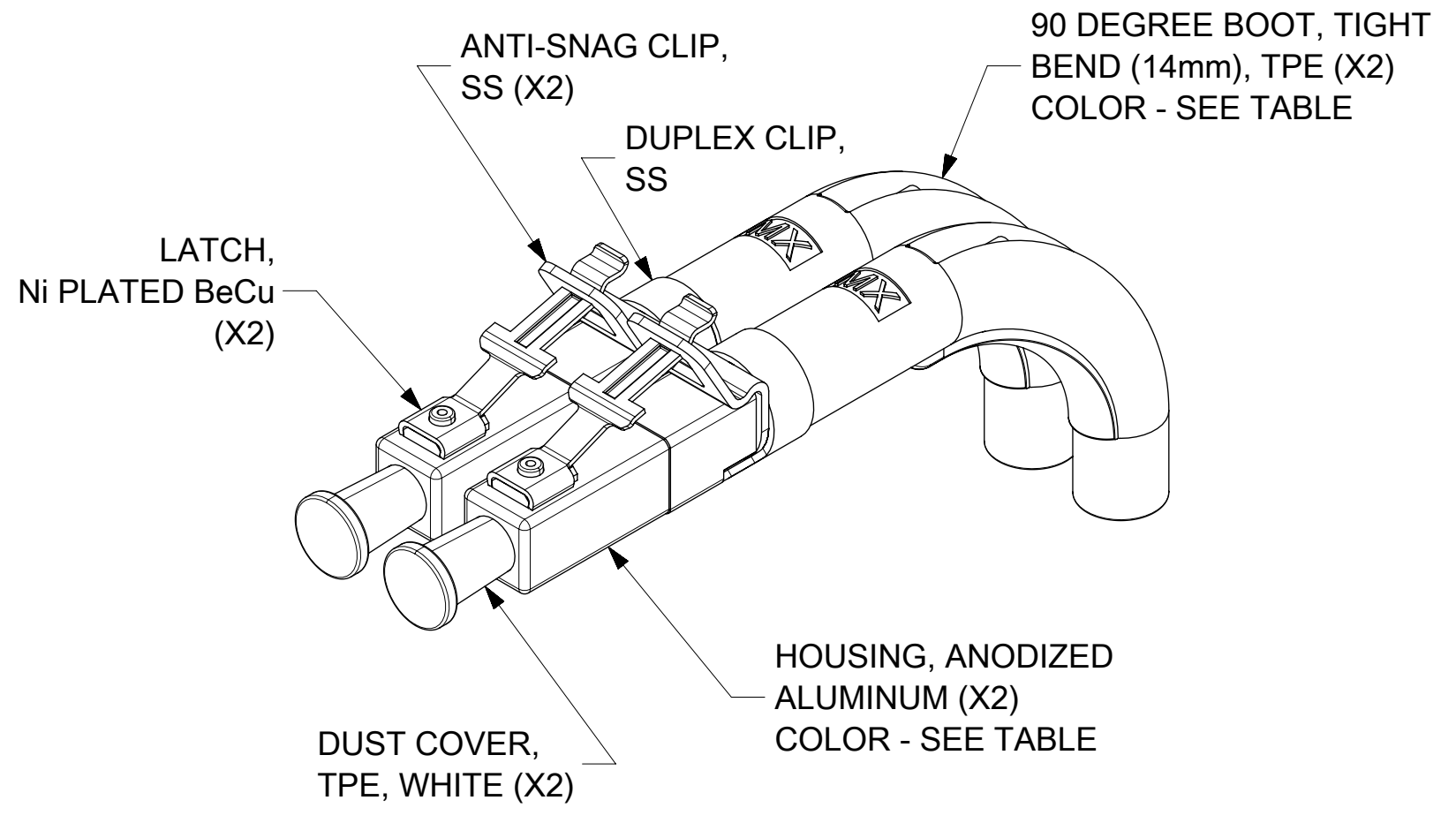
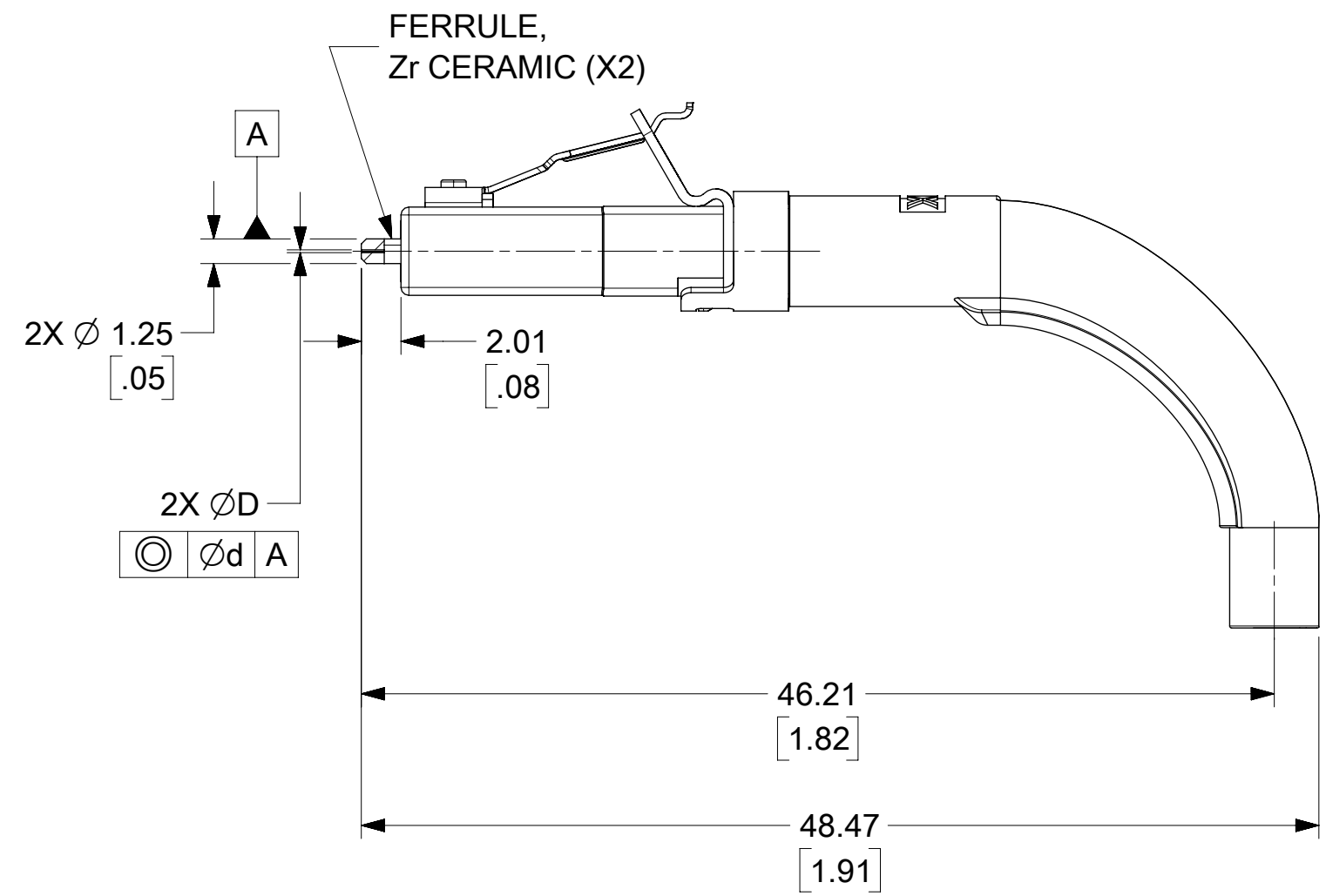
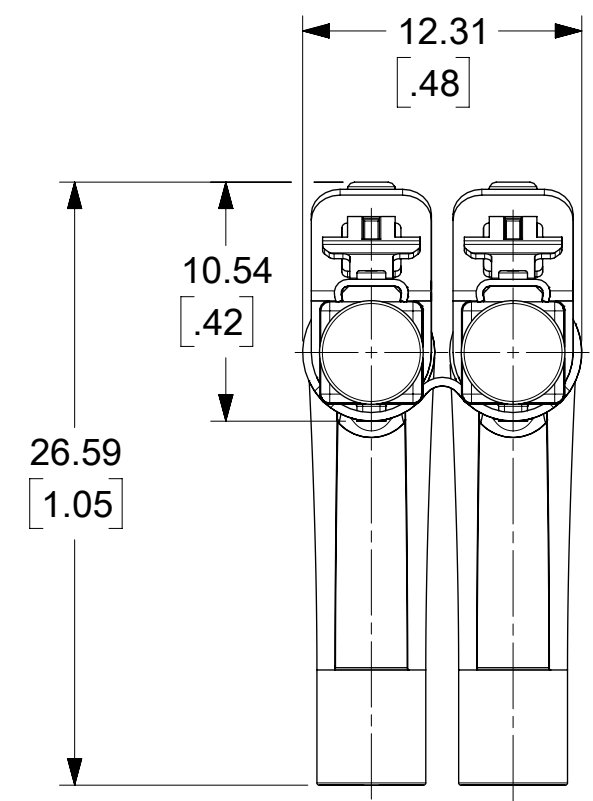
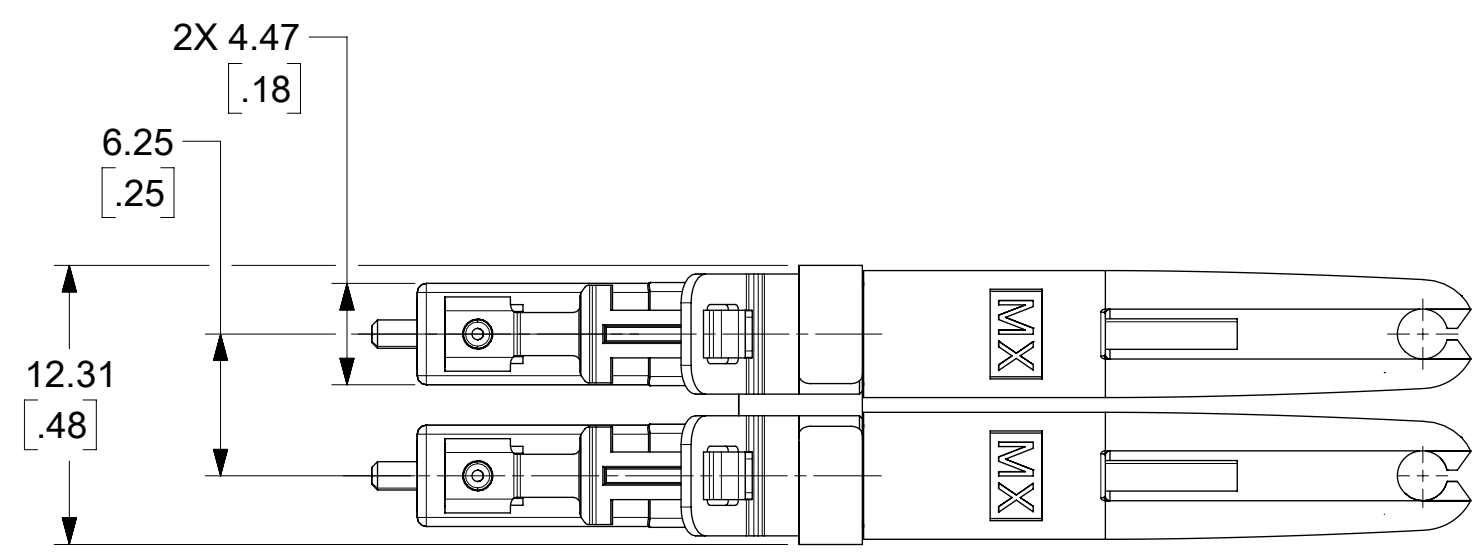


| CONNECTOR P/N | ∅D (μm) | ∅d (μm) | CONNECTOR TYPE | HOUSING COLOR | BOOT COLOR | CABLE DIA. (mm) |
|---------------|---------------|---------|----------------|---------------|------------|-----------------|
| 1063971662 | 125.5 +0.5/-0 | 0.5 | Single Mode | Blue | Blue | 2.0 |
| 1063971664 | 126.0 +1.0/-0 | 1.0 | | | | 2.0 |
| 1063971862 | 127.0 +3.0/-0 | 3.0 | Multimode | Gold | White | 2.0 |



- NOTES:
1. INTERFACE DIMENSIONS COMPLY TO IEC 61754-20 TYPE LC CONNECTOR FAMILY.
 2. FOR TERMINATION PROCEDURE USE STANDARD LC TERMINATION PROCEDURE. (RECOMMENDED CRIMP TOOL P/N 867445000)
 3. CONNECTOR IS SOLD AS A KIT. CUSTOMER IS RESPONSIBLE TO PERFORM THEIR OWN TEST TO VERIFY THEIR TERMINATION PROCESS AS A FINISHED PRODUCT.

| | | | | | | | |
|--|---|------------------------|--|-----------------|---|-----------------|--|
| FUNCTIONAL SYMBOLS FA = 0 EC = 0 EP = 0 | THIS DRAWING CONTAINS INFORMATION THAT IS PROPRIETARY TO MOLEX ELECTRONIC TECHNOLOGIES, LLC AND SHOULD NOT BE USED WITHOUT WRITTEN PERMISSION | | CURRENT REV DESC: REMOVED OBSOLETE PART NUMBERS AS PER PCN#510808. | | molex | | |
| | DIMENSION UNITS | SCALE | | | | | |
| | MM/INCH | 3:1 | EC NO: 736640 | | LC2+ METAL CONNECTOR, DUPLEX, 90 DEG TIGHT BEND BOOT (14MM) | | |
| | GENERAL TOLERANCES (UNLESS SPECIFIED) | | DRWN: SUGEEB | | 2023/01/23 | | |
| ANGULAR TOL ± 0.5° | | CHK'D: GGA | | 2023/02/16 | | | |
| 4 PLACES ± | | APPR: GGA | | 2023/02/16 | | | |
| 3 PLACES ± | | INITIAL REVISION: | | DOCUMENT NUMBER | | | |
| 2 PLACES ± | | DRWN: LSADAUSKIENE | | SD-106397-2287 | | DOC TYPE | |
| 1 PLACE ± | | APPR: WCHEN | | 2010/04/30 | | DOC PART | |
| 0 PLACES ± | | THIRD ANGLE PROJECTION | | 2010/05/27 | | REVISION | |
| DRAFT WHERE APPLICABLE MUST REMAIN WITHIN DIMENSIONS | | DRAWING | | SERIES | | MATERIAL NUMBER | |
| | | C-SIZE | | 106397 | | CUSTOMER | |
| | | | | SEE TABLE | | SHEET NUMBER | |
| | | | | | | 1 OF 1 | |