



MADE IN THE USA

### Related Products (each sold separately):

- GS-004: Glove Box Dispenser - Single (shown below)
- GS-005: Glove Box Dispenser - Double
- GS-060: Glove Box Dispenser - Quad



### Product Description:

- Glove Box Dispenser - Triple
- Holds three boxes of gloves
- Two-way keyholes for vertical or horizontal wall mounting
- Stainless Steel

### Primary Area for Product Usage:

- Anywhere gloves are needed

### Dispenses:

- Box(es) no larger than 5.25"W x 11.00"H x 3.75"D (13.3 cm x 27.9 cm x 9.5 cm)
- Box(es) no smaller than 4.25"W x 8.00"H x 2.80"D (10.8 cm x 10.8 cm x 7.1 cm)

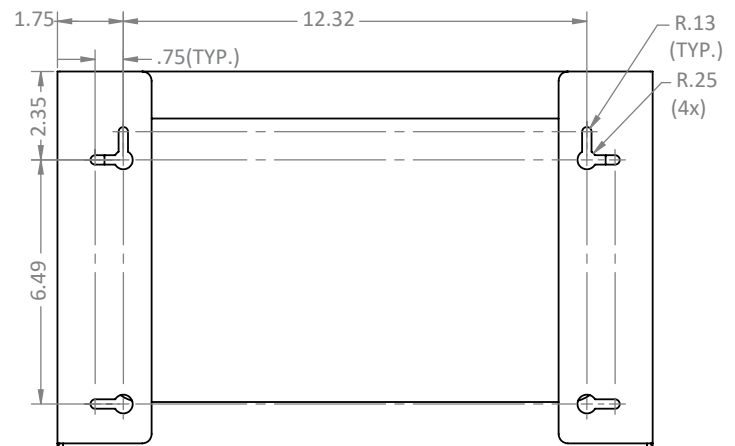
### Package Specifications:

- Package Quantity: 6 per case
- 21"W x 14"H x 10"D (53.3 cm x 35.6 cm x 25.4 cm)
- 16.0 lbs (7.3 kg) - approximated

### Product Specifications (overall external dimensions):

- 15.82"W x 10.04"H x 3.79"D (40.2 cm x 25.5 cm x 9.6 cm)
- 1.8 lbs (0.8 kg) - approximated

### Mounting Specifications:

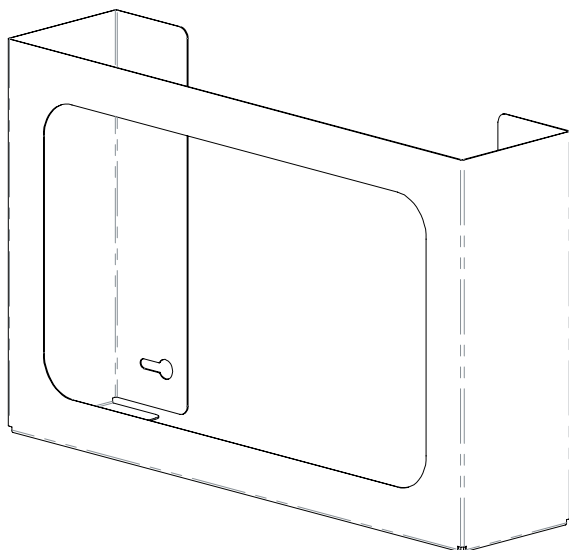




## Installation

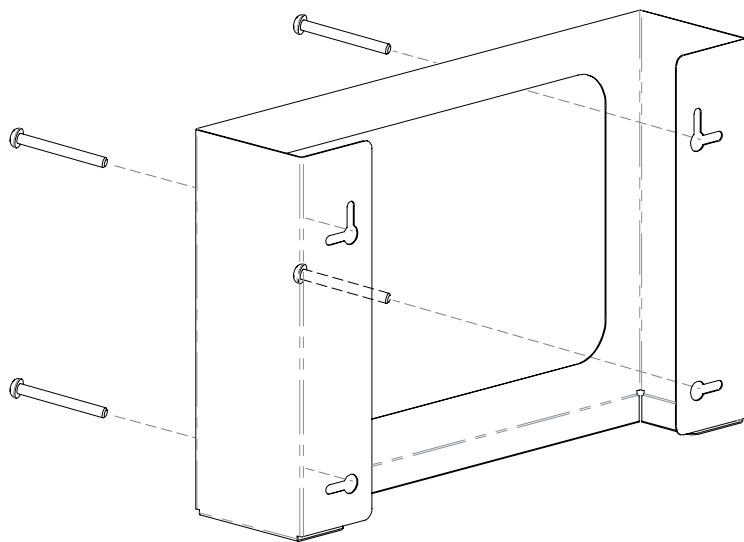
Always mount dispensers securely *prior* to loading with product.

- Open design will accommodate three same-size boxes or differing widths.



1

- Mount securely to a wall with screws approved and supplied by building maintenance.



2

### Parts included:

- Dispenser

### Tools Required:

- No tools required to assemble dispenser

## Care and Construction Stainless Steel

### Material Characteristics

#### Designed for Long-Term, Heavy-Duty Applications

By its nature, stainless steel is resistant to corrosion and oxidation, yet the bright, easily maintained surface provides a modern and attractive appearance. Stainless steel is used overwhelmingly for its corrosion resistance characteristics. Along with being sturdy, stainless steel is also fire and heat resistant.

Stainless steel has work-hardening properties, giving the material a great strength-to-weight advantage over other materials. It also provides impact resistance and high toughness in extreme temperatures.

### Care and Cleaning

Stainless steel resists a variety of common chemicals and cleaning agents. Clean using warm water, a gentle detergent, and soft cloth. Dry thoroughly to avoid spotting. Do not use steel wool.