

T4061310004-001 ✓ ACTIVE

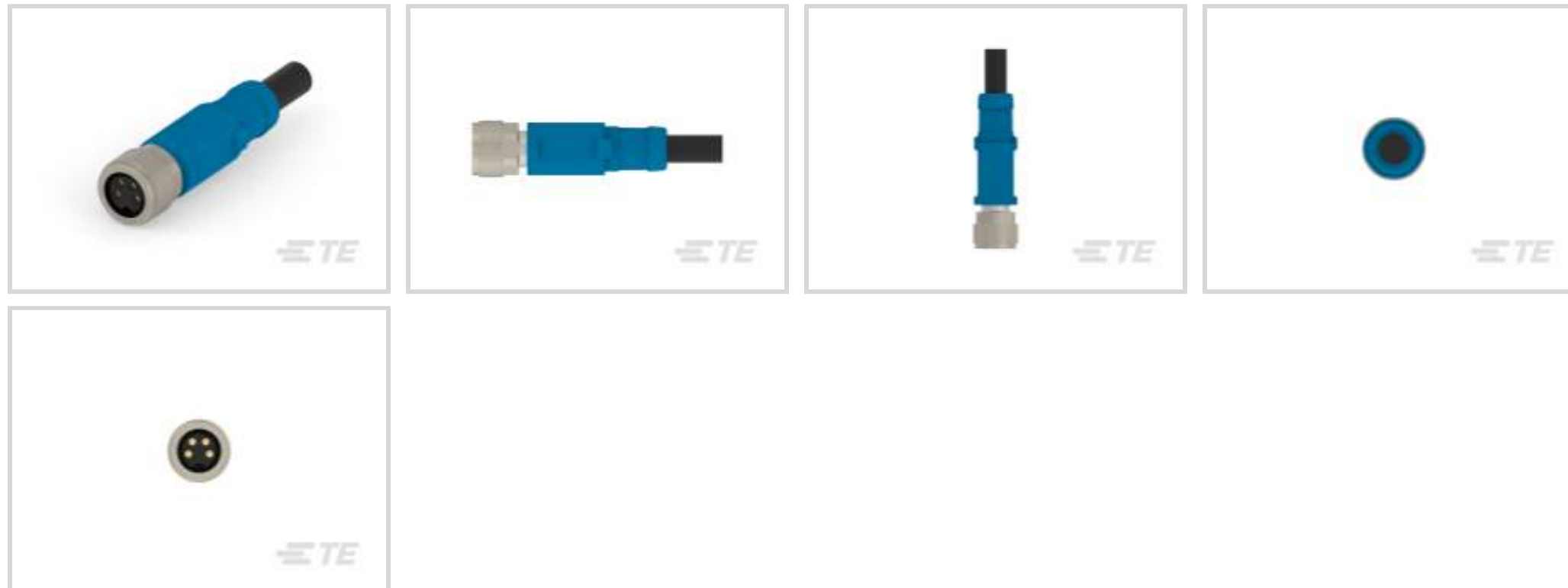
TE Internal #: T4061310004-001

M8 Pigtail Cable Assembly, 4 Position, .5 m, Sensor/Actuator, Code A, M8 Socket, Shielded, Single Ended, PA66+25GF

[View on TE.com >](#)



Cable Assemblies > Copper Cable Assemblies > M8/M12 Cable Assemblies > M8 Cable Assembly, Single End, Female, Straight



M8/M12 Application Type: **Sensor/Actuator**

Number of Positions: **4**

Connector & Keying Code: **A**

Connector Type (End A): **M8 Socket**

Cable Assembly Type: **M8 Pigtail**

[All M8 Cable Assembly, Single End, Female, Straight \(56\)](#)

Features

Product Type Features

Connector Type (End A) M8 Socket

Cable Assembly Type M8 Pigtail

Configuration Features

Number of Positions 4

Body Features

Connector Color (End A) Black

Jacket Material PVC

Connector & Keying Code A

Mechanical Attachment

Thread Size M8

Connector Orientation (End A) Straight

Housing Features

Housing Material PA66+25GF



Operation/Application

M8/M12 Application Type	Sensor/Actuator
Shielded	Yes

Other

Cable Assembly Length	.5 m
Cable Assembly Configuration	Single Ended

Product Compliance

[For compliance documentation, visit the product page on TE.com>](#)

EU RoHS Directive 2011/65/EU	Compliant with Exemptions
EU ELV Directive 2000/53/EC	Compliant with Exemptions
China RoHS 2 Directive MIIT Order No 32, 2016	Restricted Materials Above Threshold
EU REACH Regulation (EC) No. 1907/2006	Current ECHA Candidate List: JUNE 2023 (235) Candidate List Declared Against: JUNE 2022 (224) SVHC > Threshold: Pb (1.9% in Component) Article Safe Usage Statements: Do not eat, drink or smoke when using this product. Wash thoroughly after handling. Recycle if possible and dispose of the article by following all applicable governmental regulations relevant to your geographic location.
Halogen Content	Not Low Halogen - contains Br or Cl > 900 ppm.
Solder Process Capability	Not applicable for solder process capability

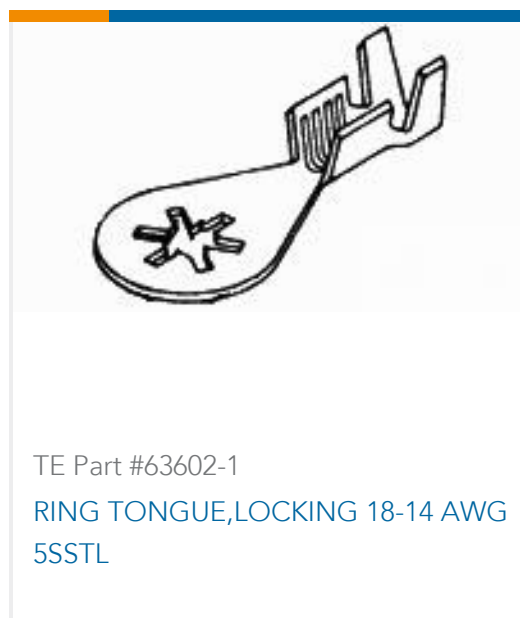
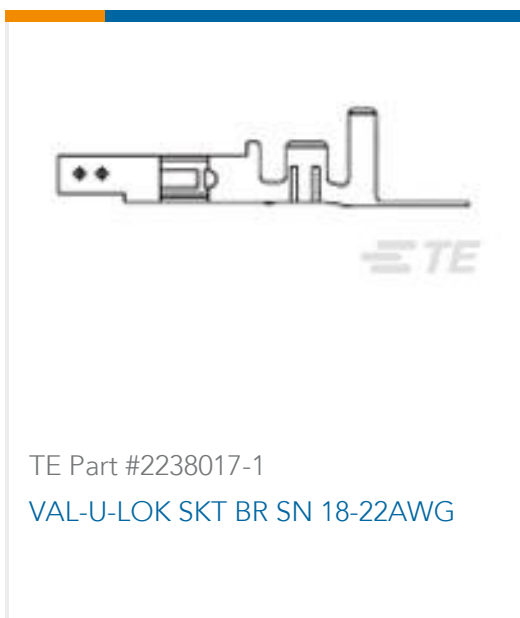
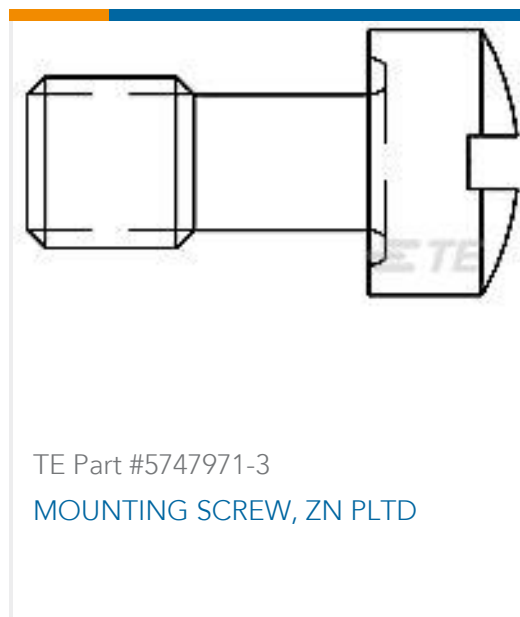
Product Compliance Disclaimer

This information is provided based on reasonable inquiry of our suppliers and represents our current actual knowledge based on the information they provided. This information is subject to change. The part numbers that TE has identified as EU RoHS compliant have a maximum concentration of 0.1% by weight in homogenous materials for lead, hexavalent chromium, mercury, PBB, PBDE, DBP, BBP, DEHP, DIBP, and 0.01% for cadmium, or qualify for an exemption to these limits as defined in the Annexes of Directive 2011/65/EU (RoHS2). Finished electrical and electronic equipment products will be CE marked as required by Directive 2011/65/EU. Components may not be CE marked. Additionally, the part numbers that TE has identified as EU ELV compliant have a maximum concentration of 0.1% by weight in homogenous materials for lead, hexavalent chromium, and mercury, and 0.01% for cadmium, or qualify for an exemption to these limits as defined in the Annexes of Directive 2000/53/EC (ELV). Regarding the REACH Regulation, the information TE provides on SVHC in articles for this part number is based on the latest European Chemicals Agency (ECHA) 'Guidance on requirements for substances in articles' posted at this URL: <https://echa.europa.eu/guidance-documents/guidance-on-reach>

Compatible Parts



Customers Also Bought



Documents

Product Drawings

[M8 CABLE ST FEMALE 0.5M 4POS PVC CABLE](#)

English

CAD Files

Customer View Model

[ENG_CVM_CVM_T4061310004-001_B.3d_igs.zip](#)

English

Customer View Model

[ENG_CVM_CVM_T4061310004-001_B.3d_stp.zip](#)

English

Customer View Model

[ENG_CVM_CVM_T4061310004-001_B.2d_dxf.zip](#)

English

3D PDF

3D

By downloading the CAD file I accept and agree to the [Terms and Conditions](#) of use.



Datasheets & Catalog Pages

[M8 / M12 Connector System Catalog](#)

English

[M8 / M12 Connector System Catalog](#)

Japanese

[M8/M12 Cable Assemblies Brochure](#)

English

Product Specifications

[Application Specification](#)

English

[Application Specification](#)

English

Product Environmental Compliance

[Product Compliance](#)

English

[Product Compliance](#)

English

Agency Approvals

[UL](#)

English