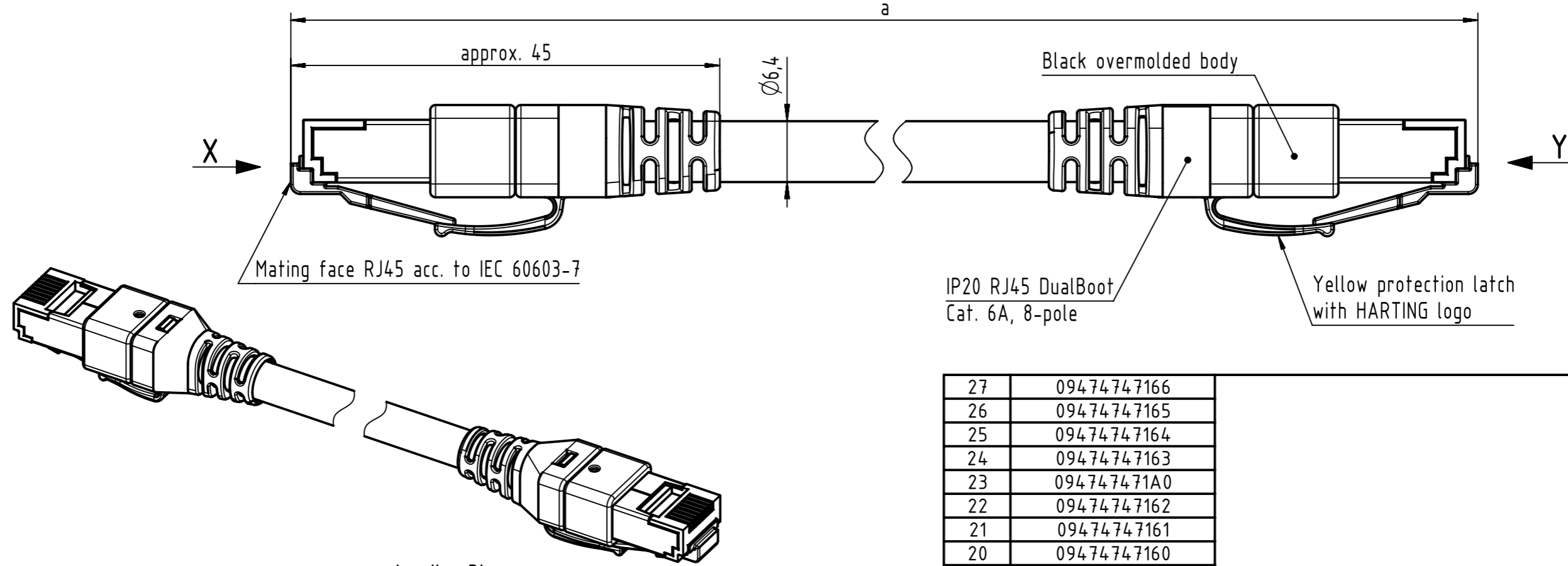


Connector Location A

Connector Location B

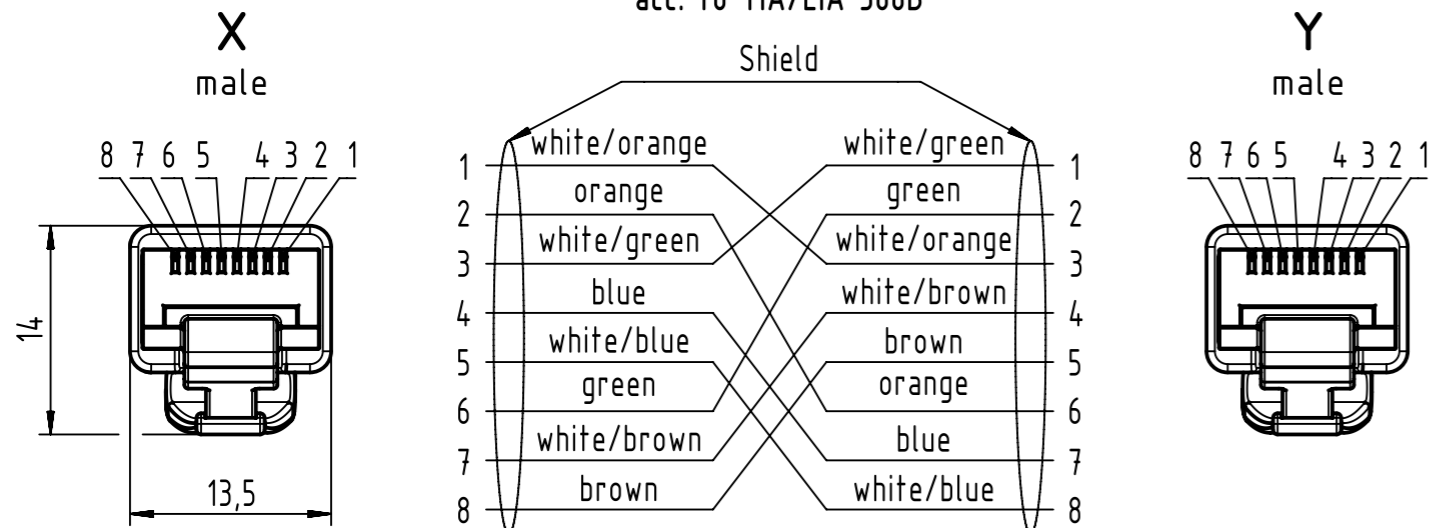


Mating face RJ45 acc. to IEC 60603-7

IP20 RJ45 DualBoot  
Cat. 6A, 8-pole

Yellow protection latch  
with HARTING logo

Loading Plan  
acc. to TIA/EIA 568B



Temperature range:  
- Fixed installation: -30°C ...+75°C  
- Dynamic installation: -5°C ...+50°C

NOTE:

For lengths < 1.0m:  
- relative positioning of the connectors to each other will be as presented in the drawing, however with an admissible angular deviation around cable axis of ± 30°  
For lengths ≥ 1.0m:  
-relative positioning of the connectors to each other not obligatory

27	09474747166	4x2xAWG26/7, S/FTP, PUR, Cat.7, yellow	50	±1%
26	09474747165		40	
25	09474747164		30	
24	09474747163		20	
23	094747471A0		18	
22	09474747162		15	
21	09474747161		10	
20	09474747160		9	
19	09474747159		8	
18	09474747158		7.5	
17	09474747157		7	
16	09474747156		6	
15	09474747155		5	
14	09474747154		4	+0.04
13	09474747153		3	
12	09474747152		2.5	
11	09474747151		2	
10	09474747150		1.5	
9	09474747149		1	
8	09474747148		0.9	
7	09474747147		0.8	
6	09474747146		0.7	
5	09474747145		0.6	
4	09474747144		0.5	+0.02
3	09474747143		0.4	
2	09474747142		0.3	
1	09474747141		0.2	
Cont. no.	Part no.	Type of cable	Dim. a[m]	

	All rights reserved Department HCS - RO	Created by COSTEA Costea	Inspected by STOCHECIC Stochechi	Standardisation MUNTEANV Muntean	Date 2019-09-05	State Final Release
	Title RJ45 x-over 4x2xAWG26/7 CAT6A PUR		Number 09474747XXX		Doc-Key / ECM-Nr. 100170398/UGD/022/E 500000157666	Rev. E Page 1/1