

NOTES:

1.0 ELECTRICAL SPECIFICATIONS:

- 1.1 FREQUENCY RANGE: DC TO 12.4 GHz
- 1.2 IMPEDANCE: 50 OHMS NOM.
- 1.3 INSERTION LOSS:
 - DC TO 10.0 GHz: 6.0 +1.2 -0.2 dB
 - 10.0 TO 12.4 GHz: 6.0 +1.5 -0.2 dB

- 1.4 VSWR MAX.:
 - DC TO 10.0 GHz: 1.25:1 MAX.
 - 10.0 TO 12.4 GHz: 1.35:1 MAX.

- 1.5 ASYMMETRY:
 - DC TO 4.0 GHz: 0.2dB MAX.
 - 4.0 TO 10.0 GHz: 0.4dB MAX.
 - 10.0 TO 12.4 GHz: 0.5dB MAX.

- 1.6 AVG. INPUT POWER: 1 WATT MAX.
- 1.7 OPERATING TEMP. RANGE: -55°C TO +125°C

2.0 FINISHING:

- 2.1 SEAL CONNECTORS USING EMERSON & CUMING ECCOBOND 45 EPOXY WITH ECCOBOND 15 CATALYST.
- 2.2 PAINT
 - GREY OVER MIL-E-15090 TYPE II, CLASS 2
 - VER MIL-C-5541 CLASS 3A
 - MEETS MIL-F-14072
 - MEETS MIL-E-5400 AND MIL-E-16400V.

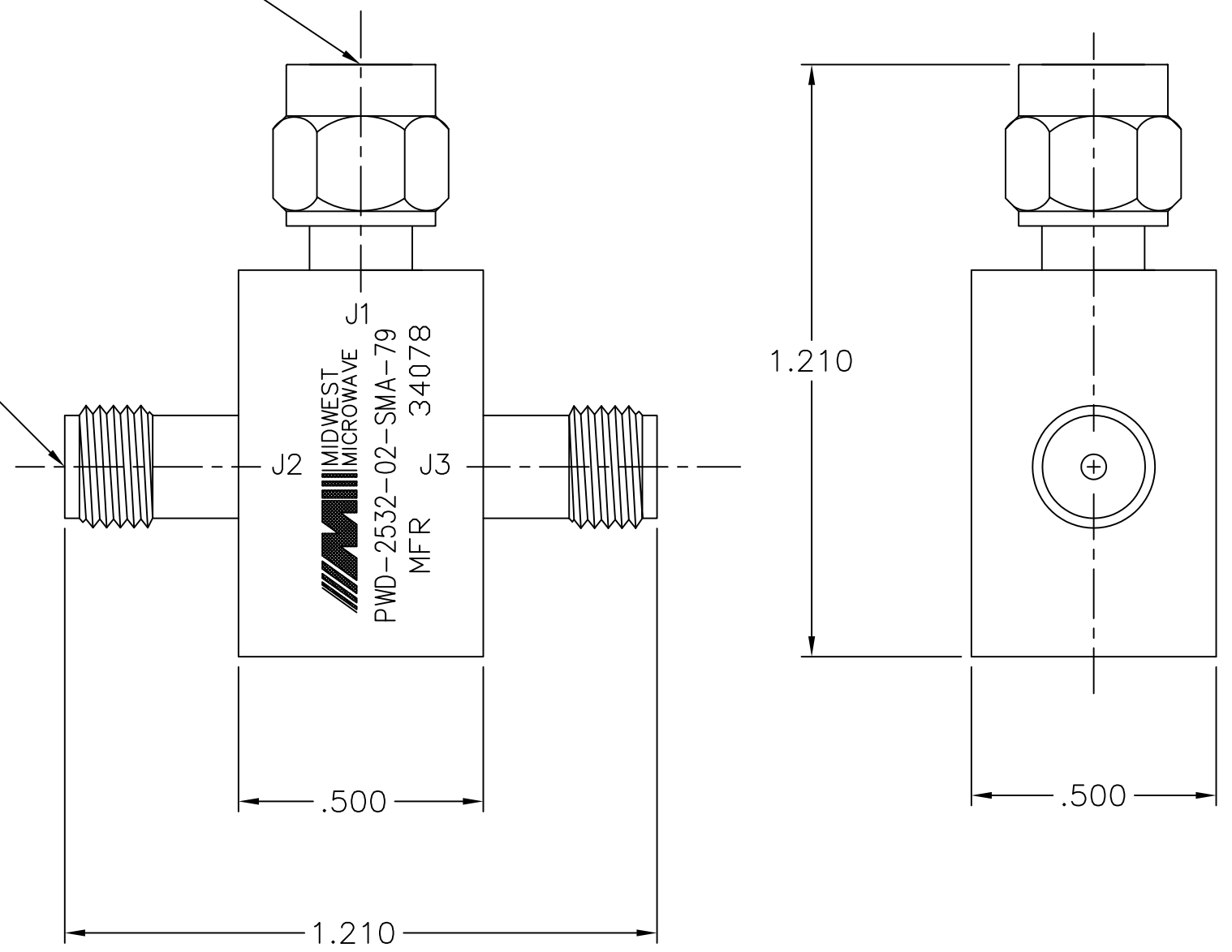
3.0 MARKING: MARK UNIT AS SHOWN.
(REF.: SLK-02007-82-01)

4.0 TESTING:

- 4.1 VSWR (ALL PORTS)
- 4.2 INSERTION LOSS (INPUT TO EACH OUTPUT AND REVIEW DATA FOR ASYMMETRY).

SMA MALE CONN.
PER MIL-PRF-39012

SMA FEMALE CONN.
PER MIL-PRF-39012
TYP (2 PLCS)



MODEL NUMBER
PWD-2532-02-SMA-79

DWG NO. WAS: 02345-01-00

REV.	DESCRIPTION	DATE
-	RELEASED	4/30/79
A	ECR 4534	5/19/86
B	ECR 4651	7/2/86
C	ECR 4682	7/17/86
D	ECR 5896	3/22/88
E	ECR 6545	6/29/88
F	REDRAW ON CAD	3/30/92
F1	ADDED TITLEBLOCK	7/18/05

NOTICE: The information contained in this drawing is proprietary and must not be used without the permission of Emerson Network Power. UNLESS OTHERWISE NOTED DIMENSIONS ARE IN INCHES AND TOLERANCES ARE: 3 PLACE DECIMALS ±.005 2 PLACE DECIMALS ±.02 FRACTIONS ±1/64 PARALLELITY: T.I.R. _____ FLATNESS: T.I.R. _____ CONCENTRICITY: T.I.R. _____ ANGLES AND PERPENDICULARITY: ±1°	CAGE CODE 34078	MIDWEST MICROWAVE	
	EMERSON Network Power Connectivity Solutions		TITLE POWER DIVIDER OUTLINE DRAWING
DRAWN/DATE A.BEATTY 3/30/92	ENG./DATE G.KOZAK 5/4/92	DRAWING NUMBER PWD-2532-02-SMA-79-01	REV. F1
CHECKED/DATE	APPROVED/DATE	SCALE: 3=1	SHEET 1 of 1