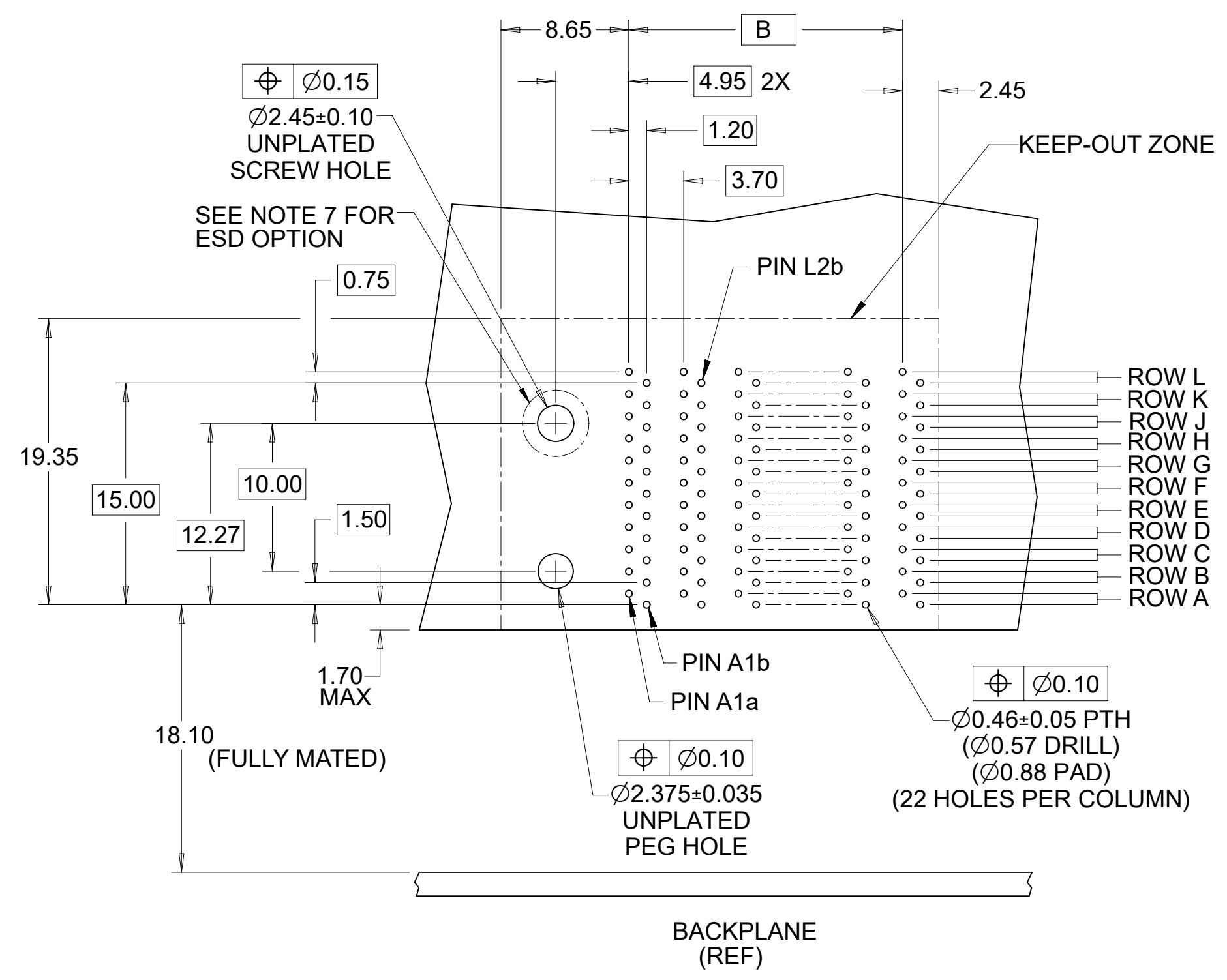
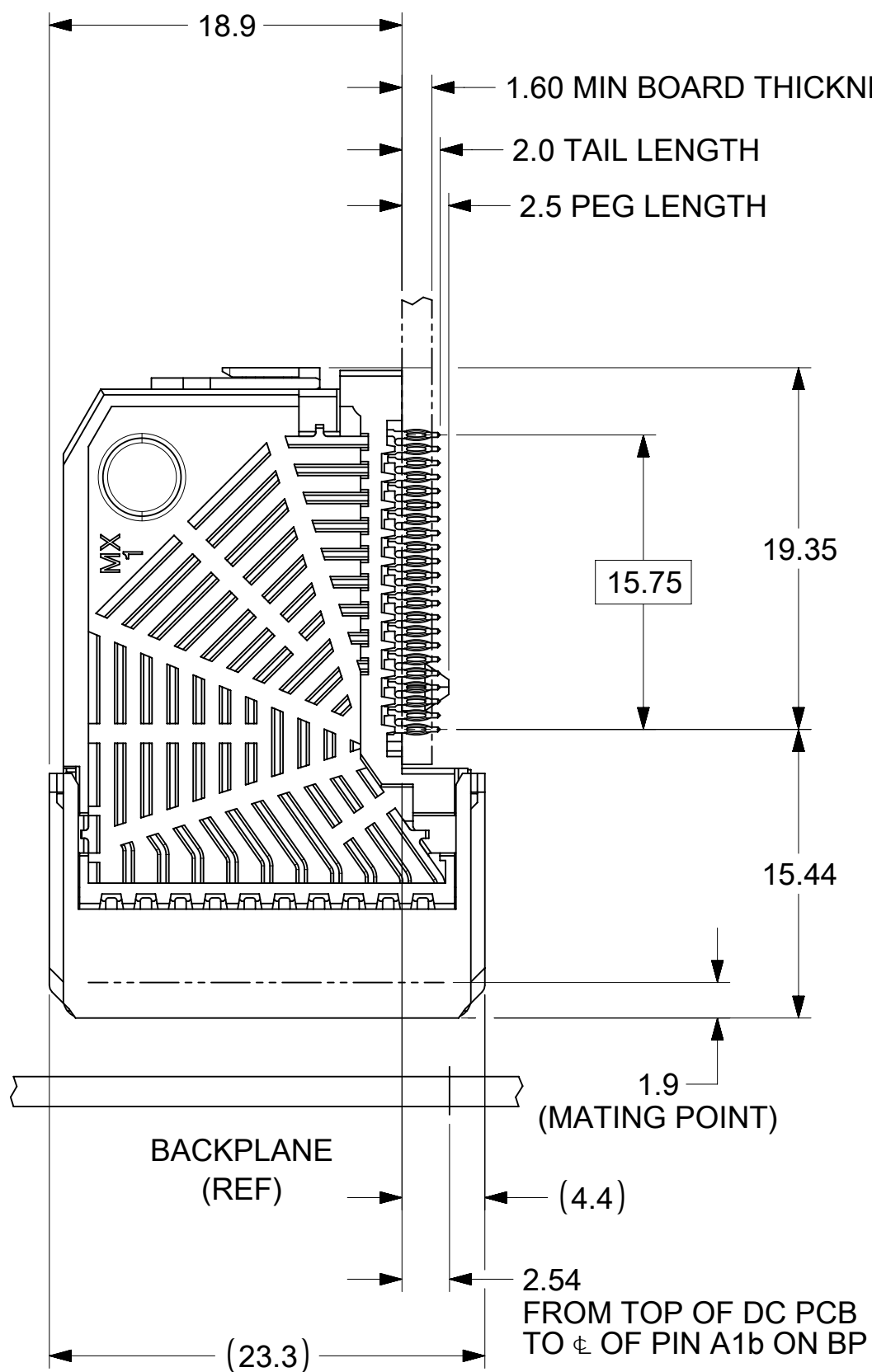


KEY SHOWN IN POSITION "A"



DAUGHTERCARD HOLE PATTERN (CONNECTOR SIDE)

- NOTES:
1. MATERIALS: HOUSING - LIQUID CRYSTAL POLYMER (LCP) GLASS-FILLED, UL94V-0
TERMINALS - HIGH PERFORMANCE COPPER ALLOY
 2. FINISH: SELECTIVE GOLD IN CONTACT AREA.
SELECTIVE MATTE TIN ON PCB TAILS. NICKEL OVERALL.
 3. REFER TO MOLEX PRODUCT SPECIFICATION PS-75710-999 FOR PERFORMANCE SPECS.
 4. PRODUCT IS PACKAGED PER PK-70873-609.
 5. THIS PART CONFORMS TO CLASS B REQUIREMENTS OF COSMETIC SPEC PS-45499-002.
 6. GUIDED PARTS TO BE SHIPPED WITH 2-32 TYPE AB
SELF-TAPPING SCREW P/N 73726-0000.
 7. FOR GROUNDED GUIDE MODULES USE DIA 2.45+/-0.10 (PTH), DIA 2.58 (DRILL),
AND DIA 4.50 (PAD).
 8. MAPS (MOLEX ADVANCED PLATING SYSTEM).

THIS DRAWING CONTAINS INFORMATION THAT IS PROPRIETARY TO MOLEX ELECTRONIC TECHNOLOGIES, LLC AND SHOULD NOT BE USED WITHOUT WRITTEN PERMISSION									
DIMENSION UNITS		SCALE		CURRENT REV DESC: REMASTERED TO NX					
mm		NTS							
GENERAL TOLERANCES (UNLESS SPECIFIED)									
ANGULAR TOL ± 0.5°				I-TRAC DAUGHTERCARD 11 ROW SIGNAL MODULE GUIDE LEFT SALES DWG					
4 PLACES ±									
3 PLACES ±				EC NO: 671119 DRWN: YOGEEB 2021/06/24 CHK'D: MMALLIGEVALU 2022/01/28 APPR: CWANG25 2022/02/18					
2 PLACES ± 0.13									
1 PLACE ± 0.25				PRODUCT CUSTOMER DRAWING					
0 PLACES ±									
DRAFT WHERE APPLICABLE MUST REMAIN WITHIN DIMENSIONS				THIRD ANGLE PROJECTION		DRAWING		SERIES	
DOCUMENT STATUS		P1		RELEASE DATE		2022/02/18 05:03:56		SD-75710-002 SEE TABLE	
MATERIAL NUMBER		CUSTOMER		DOC TYPE		DOC PART		REVISION	
GENERAL MARKET		PSD		001		D1		1 OF 2	

MATERIAL NUMBER	# OF COLUMNS	DIM "A" MAX	DIM "B"
75710-***5	5	25.90	14.80
75710-***6	6	29.60	18.50
75710-***8	8	37.00	25.90
75710-***0	10	44.40	33.30

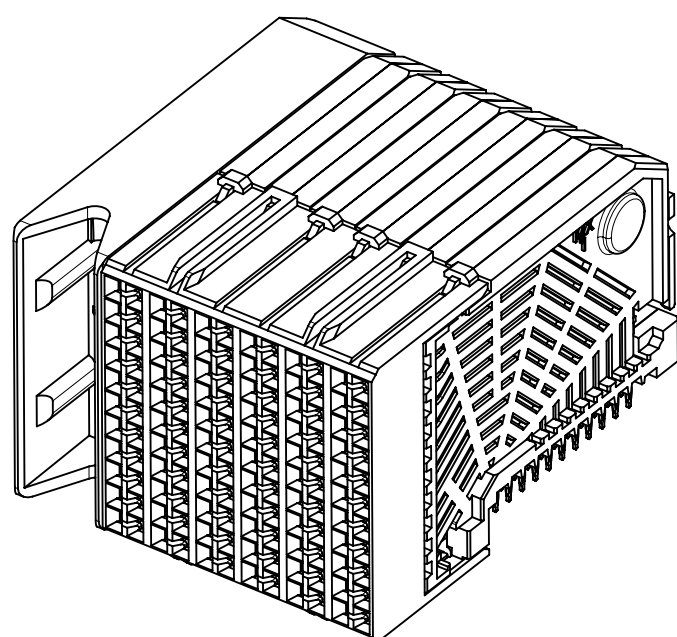
75710- * * * *

MODULE TYPE -- TAIL PLATING TYPE
GUIDE LEFT -- MATTE TIN (FORMERLY TIN/LEAD)= 2
GUIDE LEFT -- MATTE TIN = 3

- # OF COLUMNS/PLATING
05 = 5 COL 30 GOLD
06 = 6 COL 30 GOLD
08 = 8 COL 30 GOLD
10 = 10 COL 30 GOLD
55 = 5 COL W/ESD 30 GOLD
56 = 6 COL W/ESD 30 GOLD
58 = 8 COL W/ESD 30 GOLD
50 = 10 COL W/ESD 30 GOLD
25 = 5 COL 10 GOLD (MAPS)
26 = 6 COL 10 GOLD (MAPS)
28 = 8 COL 10 GOLD (MAPS)
20 = 10 COL 10 GOLD (MAPS)
65 = 5 COL W/ESD 10 GOLD (MAPS)
66 = 6 COL W/ESD 10 GOLD (MAPS)
68 = 8 COL W/ESD 10 GOLD (MAPS)
60 = 10 COL W/ESD 10 GOLD (MAPS)

POLARIZATION KEY ORIENTATION

- 0 = NO KEY
1 = A 5 = E
2 = B 6 = F
3 = C 7 = G
4 = D 8 = H



THIS DRAWING CONTAINS INFORMATION THAT IS PROPRIETARY TO MOLEX ELECTRONIC TECHNOLOGIES, LLC AND SHOULD NOT BE USED WITHOUT WRITTEN PERMISSION									
DIMENSION UNITS	SCALE	CURRENT REV DESC: REMASTERED TO NX							
mm	NTS								
GENERAL TOLERANCES (UNLESS SPECIFIED)								I-TRAC DAUGHTERCARD 11 ROW SIGNAL MODULE GUIDE LEFT SALES DWG	
ANGULAR TOL	± 0.5°	EC NO: 671119						PRODUCT CUSTOMER DRAWING	
4 PLACES	±	DRWN: YOGEEB 2021/06/24						DOCUMENT NUMBER	
3 PLACES	±	CHK'D: MMALLIGEVALU 2022/01/28						SD-75710-002	
2 PLACES	± 0.13	APPR: CWANG25 2022/02/18						DOC TYPE	
1 PLACE	± 0.25	INITIAL REVISION:						PSD	
0 PLACES	±	DRWN: MCARRANZA 2006/06/19						DOC PART	
DRAFT WHERE APPLICABLE MUST REMAIN WITHIN DIMENSIONS		THIRD ANGLE PROJECTION		DRAWING		SERIES		REVISION	
				C-SIZE		75710		001 D1	
						MATERIAL NUMBER		SHEET NUMBER	
						SEE TABLE		2 OF 2	
						CUSTOMER			
						GENERAL MARKET			