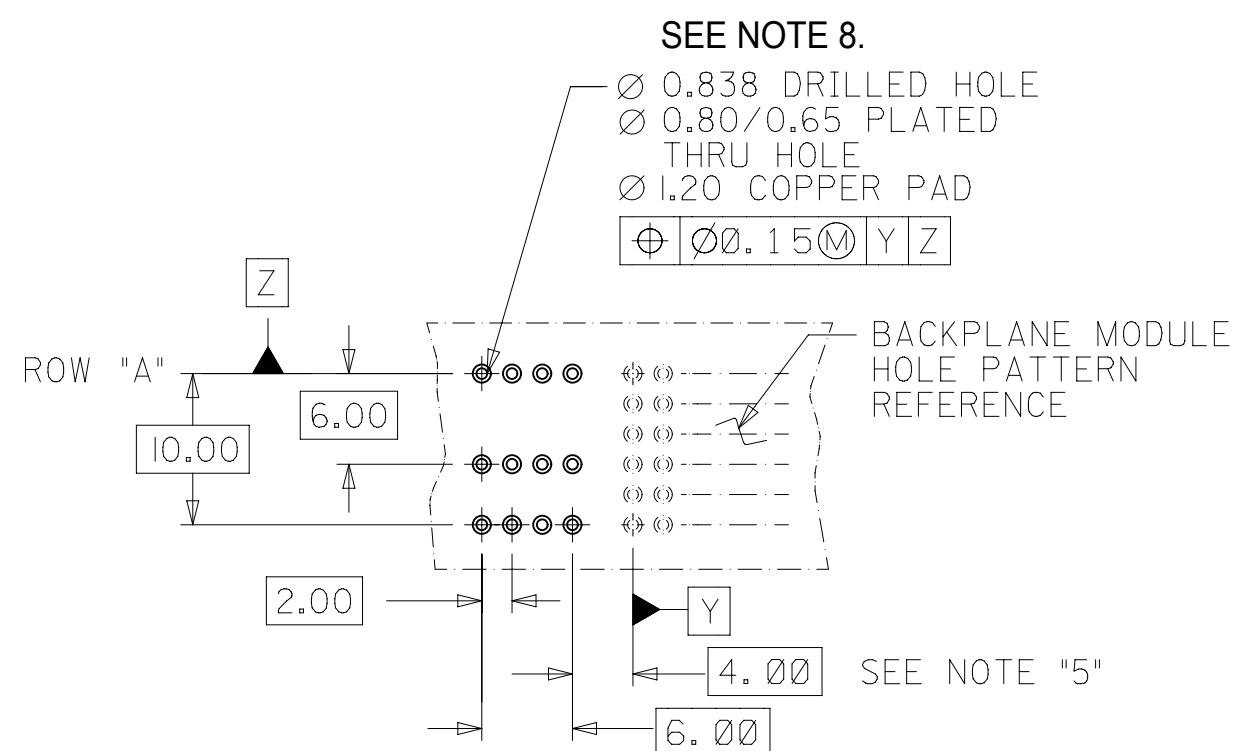
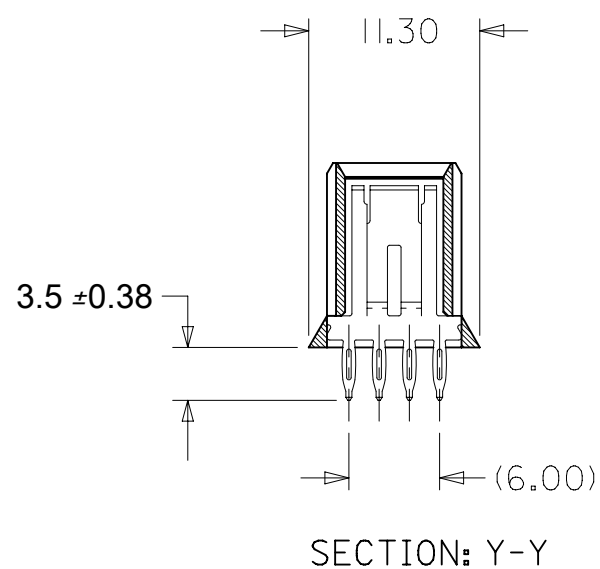
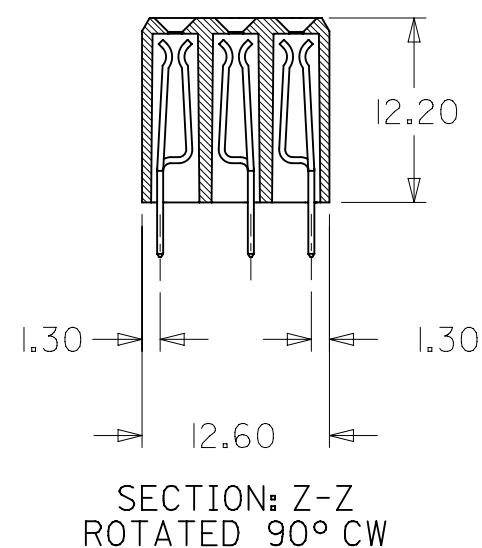
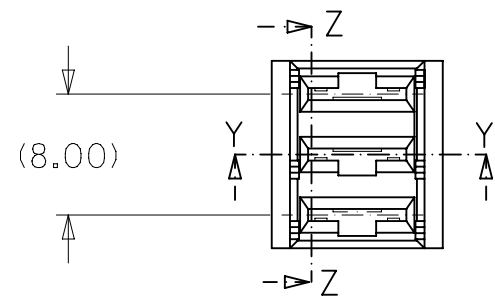
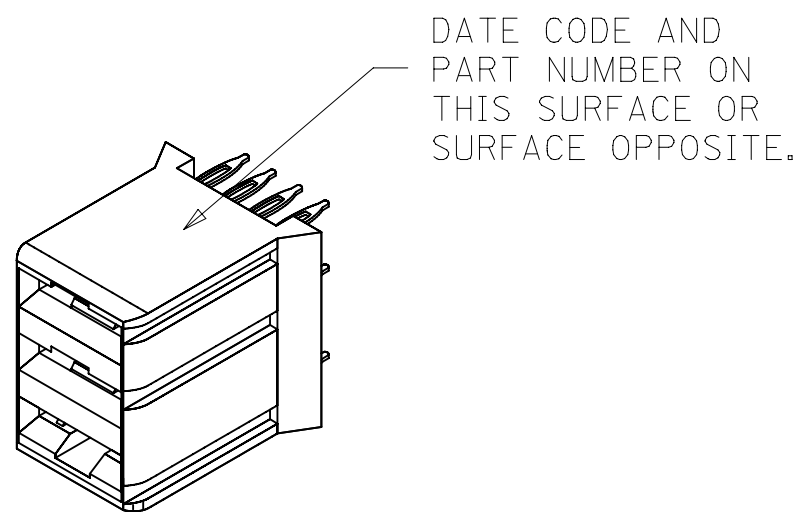


ASSEMBLY NUMBER	FINISH
73656-0000	SEE NOTE 2.
73656-0001	SEE NOTE 3.



PCB LAYOUT: COMPONENT SIDE
RECOMMENDED PCB THICKNESS: 2.50 MIN

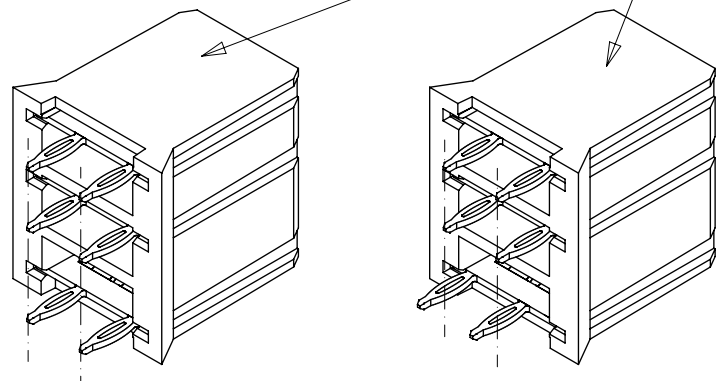
NOTES:

- MATERIALS: HOUSING - LIQUID CRYSTAL POLYMER (LCP), GLASS-FILLED, UL94V-0, COLOR: BLACK
TERMINAL - COPPER ALLOY
- FINISH: SELECTIVE GOLD (Au) IN CONTACT AREA, 0.76 micrometer MINIMUM THICKNESS: NICKEL (Ni) AND GOLD FLASH OVERALL
- FINISH: SELECTIVE GOLD (Au) IN CONTACT AREA, 0.76 micrometer MINIMUM THICKNESS: MATTE TIN (Sn) OVER NICKEL (Ni)
IN COMPLIANT AREA: NICKEL (Ni) OVERALL ON REMAINING WITH SELECTIVE GOLD (Au) FLASH.
- THIS DIMENSION MUST BE A MULTIPLE OF 4.00 mm.
- DIMENSIONS ARE IN MILLIMETERS.
- THIS PART CONFORMS TO MOLEX PRODUCT SPECIFICATION PS-73670-9999.
- PACKAGE ASSEMBLIES PER PK-70873-0819.
- HOLE SIZE SPECIFICATION IS FOR TIN/LEAD PLATED HOLES ONLY.
FOR OTHER PLATING TYPES SEE MOLEX APPLICATION AS-73670-9996.
- THIS PART CONFORMS TO MOLEX COSMETIC SPECIFICATION PS-45499-002 CLASS B.

SYMBOLS		THIS DRAWING CONTAINS INFORMATION THAT IS PROPRIETARY TO MOLEX ELECTRONIC TECHNOLOGIES, LLC AND SHOULD NOT BE USED WITHOUT WRITTEN PERMISSION	
DIMENSION UNITS	SCALE	CURRENT REV DESC:	
= 0	mm	2:1	
= 0	GENERAL TOLERANCES (UNLESS SPECIFIED)		
= 0	ANGULAR TOL ± 0.5°		
= 0	4 PLACES	±	
= 0	3 PLACES	±	
= 0	2 PLACES	± 0.13	
= 0	1 PLACE	± 0.25	
= 0	0 PLACES	±	
= 0	DRAFT WHERE APPLICABLE MUST REMAIN WITHIN DIMENSIONS		
= 0	THIRD ANGLE PROJECTION		
= 0	DRAWING		
= 0	SERIES		
= 0	MATERIAL NUMBER		
= 0	CUSTOMER		
= 0	SHEET NUMBER		

EC NO: 607574	2018/11/13				
DRWN: DMORGAN	2018/11/15				
CHK'D: TELO	2018/11/15				
APPR: TELO	2018/11/15	PRODUCT CUSTOMER DRAWING			
INITIAL REVISION:		DOCUMENT NUMBER	DOC TYPE	DOC PART	REVISION
DRWN: TELO	1998/05/21	SDA-73656-X00X	PSD	001	J
APPR: CBIXLER	2000/06/13	MATERIAL NUMBER	CUSTOMER		SHEET NUMBER
		SEE TABLES	GENERAL MARKET		1 OF 4

DATE CODE AND
PART NUMBER ON
THIS SURFACE OR
SURFACE OPPOSITE.



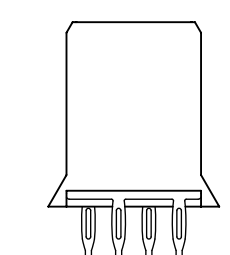
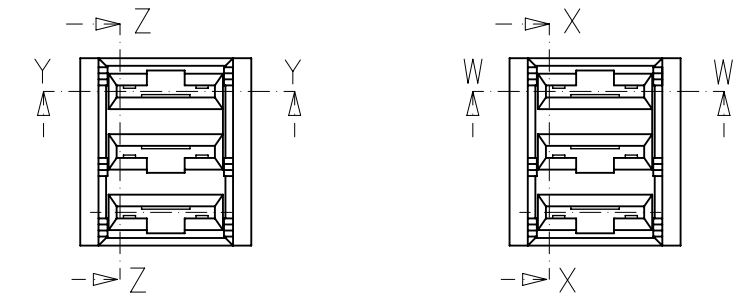
73656-100*

73656-200*

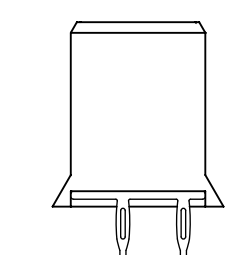
MIDPLANE OPTION

ASSEMBLY NUMBER	FINISH (SEE SHT 1)
73656-1000	SEE NOTE 2. (GOLD TAILS)
73656-2000	
73656-1001	SEE NOTE 3. *(MATTE TIN TAILS)
73656-2001	

* FORMERLY TIN/LEAD

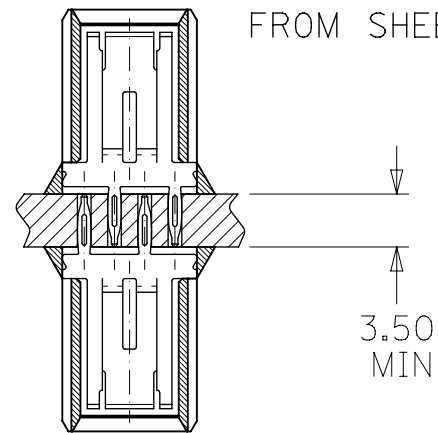


73656-200*

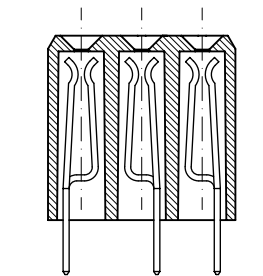


73656-100*

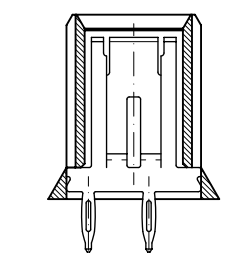
USE BACKPLANE MODULE
HOLE REFERENCE PATTERN
FROM SHEET 1



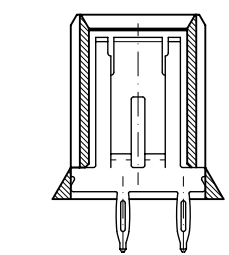
BACK-TO-BACK
MOUNTING APPLICATION



SECTION X-X
SECTION Z-Z
ROTATED 90° CW



(4.00)
SECTION: Y-Y

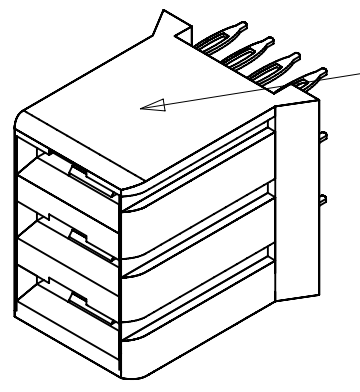


(4.00)
SECTION: W-W

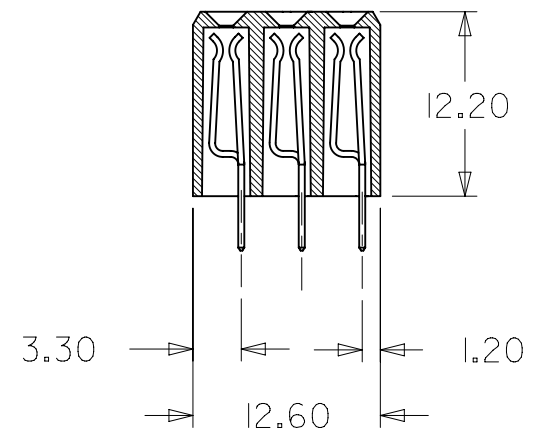
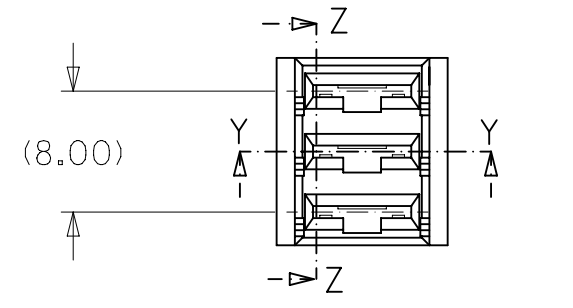
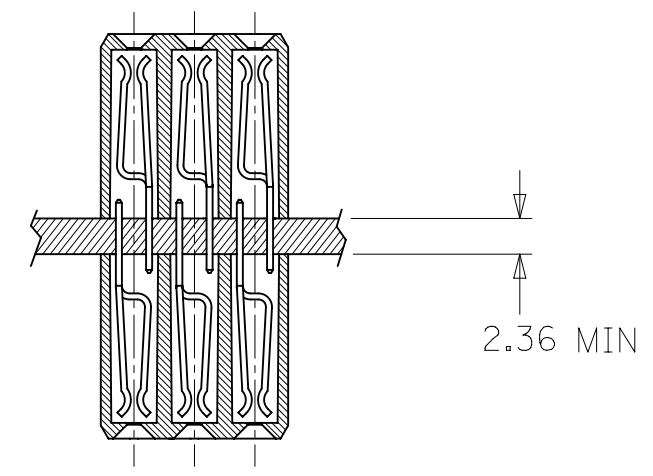
SYMBOLS	THIS DRAWING CONTAINS INFORMATION THAT IS PROPRIETARY TO MOLEX ELECTRONIC TECHNOLOGIES, LLC AND SHOULD NOT BE USED WITHOUT WRITTEN PERMISSION		
	DIMENSION UNITS	SCALE	CURRENT REV DESC:
▽ = 0	mm	2:1	molex SALES ASSY , HDM BACKPLANE POWER MODULE (PRESSFIT) PRODUCT CUSTOMER DRAWING
▽ = 0	GENERAL TOLERANCES (UNLESS SPECIFIED)		
▽ = 0	ANGULAR TOL ± 0.5°		
▽ = 0	4 PLACES ±		
▽ = 0	3 PLACES ±		EC NO: 607574 DRWN: DMORGAN 2018/11/13 CHK'D: TELO 2018/11/15 APPR: TELO 2018/11/15
▽ = 0	2 PLACES ± 0.13		INITIAL REVISION: DRWN: TELO 1998/05/21 APPR: CBIXLER 2000/06/13
▽ = 0	1 PLACE ± 0.25		DOCUMENT NUMBER SDA-73656-X00X
▽ = 0	0 PLACES ±		DOC TYPE DOC PART REVISION PSD 001 J
▽ = 0	DRAFT WHERE APPLICABLE MUST REMAIN WITHIN DIMENSIONS	THIRD ANGLE PROJECTION	MATERIAL NUMBER CUSTOMER SHEET NUMBER SEE TABLES GENERAL MARKET 2 OF 4
▽ = 0		B-SIZE	SERIES 73656

DOCUMENT STATUS	P1	RELEASE DATE	2018/11/15	03:28:27
-----------------	----	--------------	------------	----------

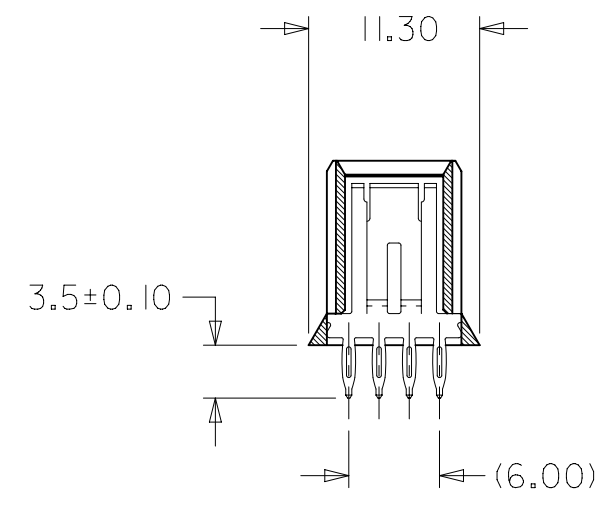
ASSEMBLY NUMBER	FINISH (SHT 1)
73656-5000	SEE NOTE 2.
73656-5001	SEE NOTE 3.



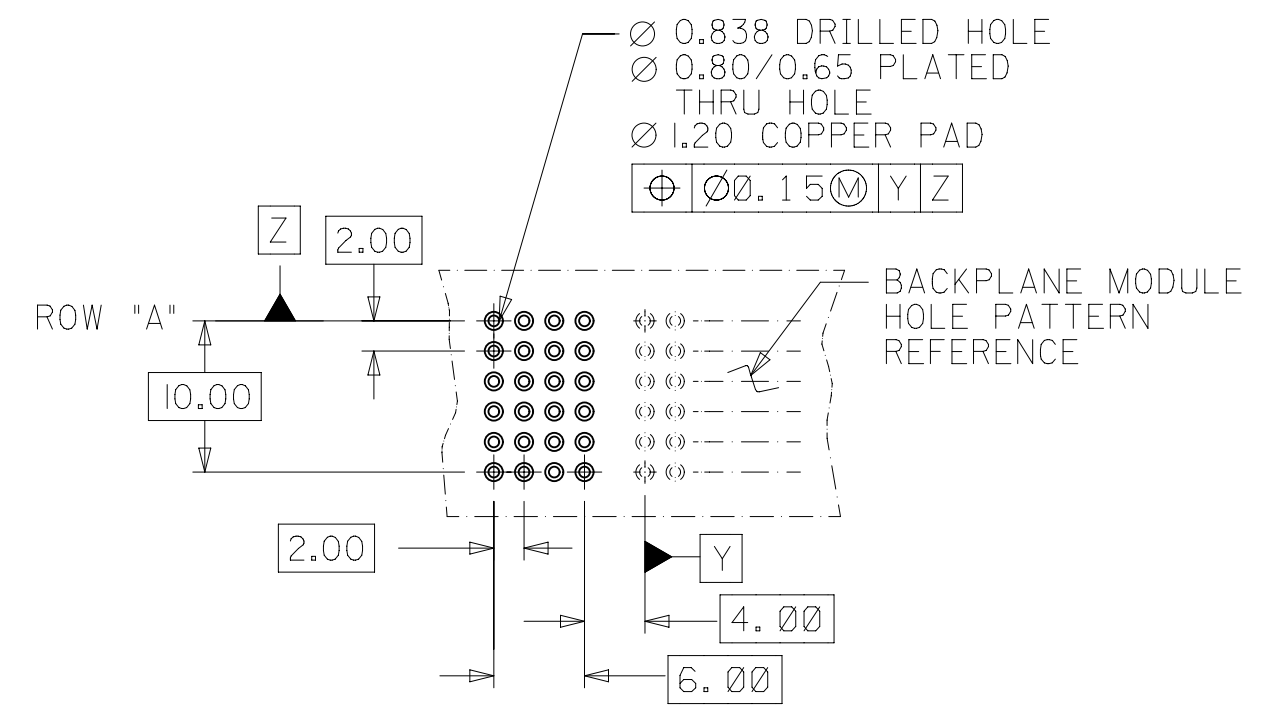
DATE CODE AND PART NUMBER ON THIS SURFACE OR SURFACE OPPOSITE.



SECTION: Z-Z
ROTATED 90° CW



SECTION: Y-Y



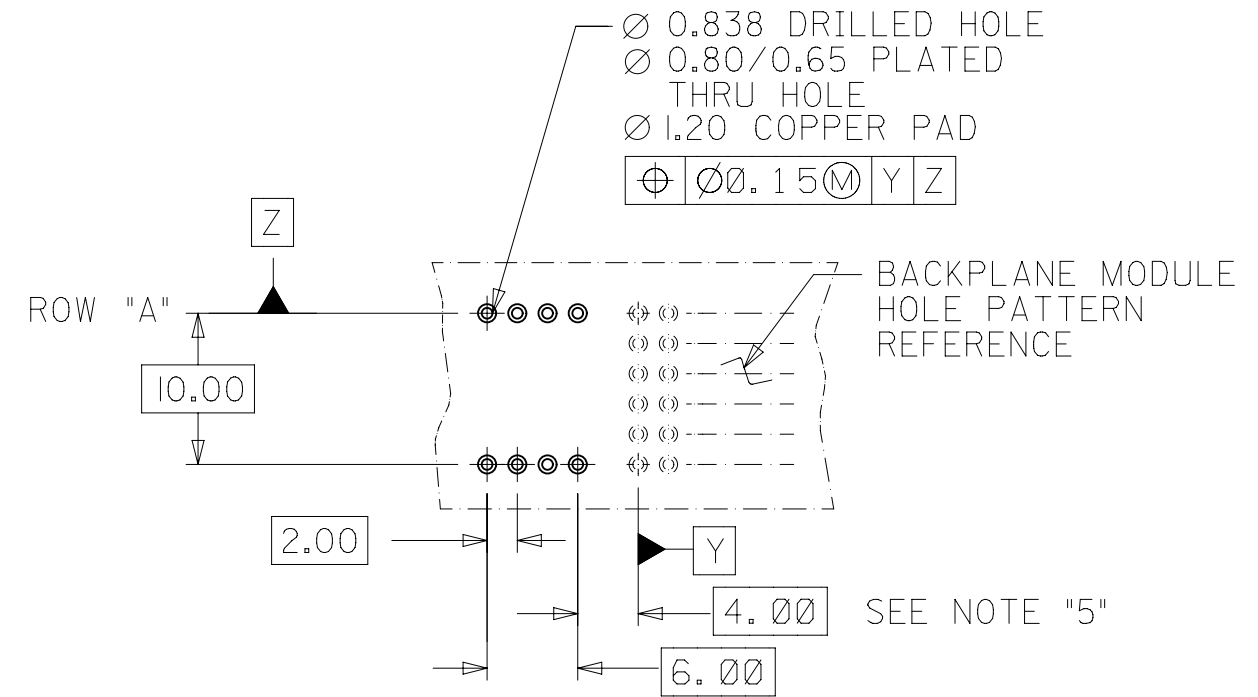
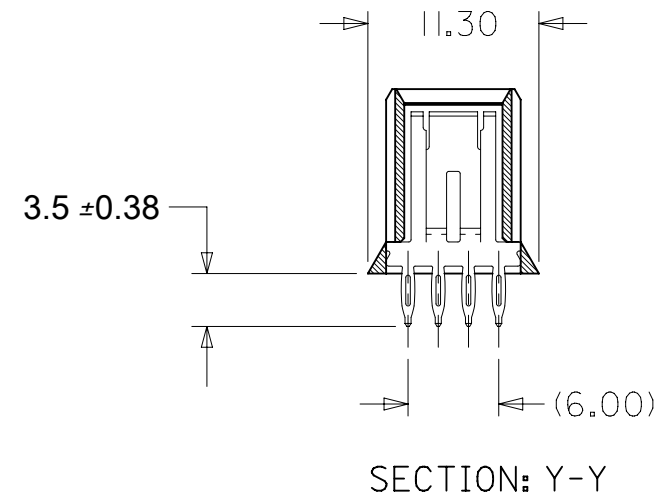
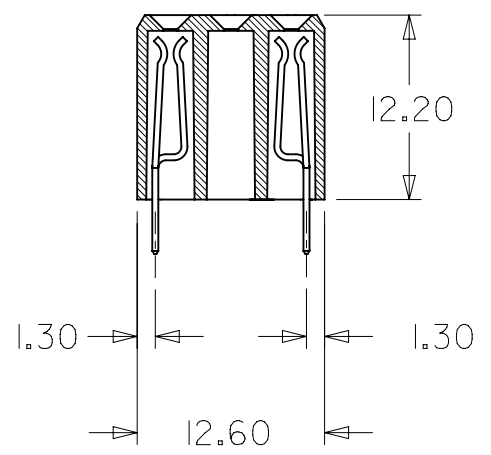
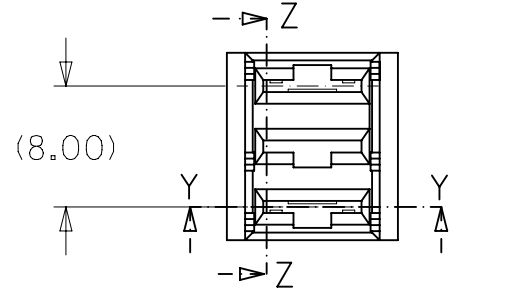
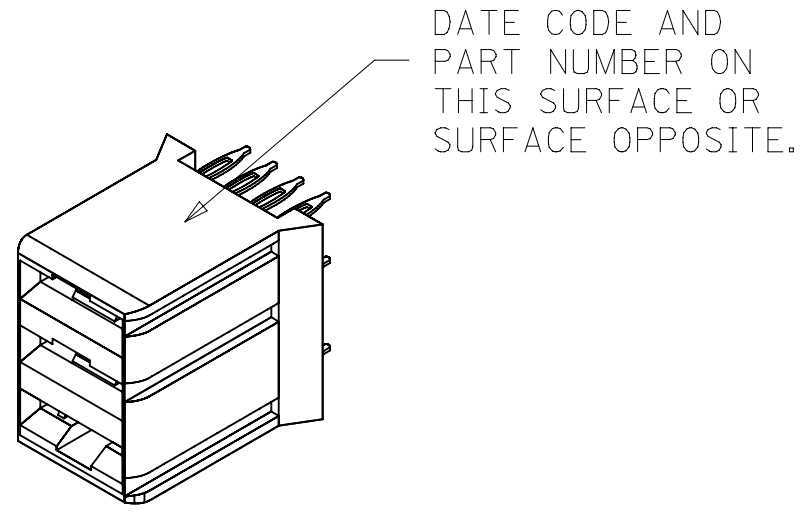
- Ø 0.838 DRILLED HOLE
 - Ø 0.80/0.65 PLATED THRU HOLE
 - Ø 1.20 COPPER PAD
- ⊕ Ø0.15 ⊕ Y Z

BACKPLANE MODULE HOLE PATTERN REFERENCE

SYMBOLS	THIS DRAWING CONTAINS INFORMATION THAT IS PROPRIETARY TO MOLEX ELECTRONIC TECHNOLOGIES, LLC AND SHOULD NOT BE USED WITHOUT WRITTEN PERMISSION		
	DIMENSION UNITS	SCALE	CURRENT REV DESC:
▽ = 0	mm	2:1	molex SALES ASSY , HDM BACKPLANE POWER MODULE (PRESSFIT) PRODUCT CUSTOMER DRAWING
▽ = 0	GENERAL TOLERANCES (UNLESS SPECIFIED)		
▽ = 0	ANGULAR TOL ± 0.5°		
▽ = 0	4 PLACES	±	
▽ = 0	3 PLACES	±	
▽ = 0	2 PLACES	± 0.13	INITIAL REVISION:
▽ = 0	1 PLACE	± 0.25	DRWN: TELO 1998/05/21
▽ = 0	0 PLACES	±	APPR: CBIXLER 2000/06/13
■ = 0	DRAFT WHERE APPLICABLE MUST REMAIN WITHIN DIMENSIONS	THIRD ANGLE PROJECTION	DRAWING SERIES MATERIAL NUMBER CUSTOMER SHEET NUMBER
▽ = 0			B-SIZE 73656 SEE TABLES GENERAL MARKET 3 OF 4

DOCUMENT STATUS	P1	RELEASE DATE	2018/11/15	03:28:27
-----------------	----	--------------	------------	----------

ASSEMBLY NUMBER	FINISH
73656-0180	SEE NOTE 2.
73656-0181	SEE NOTE 3.



PCB LAYOUT: COMPONENT SIDE
 RECOMMENDED PCB THICKNESS: 2.50 MIN

DOCUMENT STATUS	P1	RELEASE DATE	2018/11/15	03:28:27
-----------------	----	--------------	------------	----------

SYMBOLS	THIS DRAWING CONTAINS INFORMATION THAT IS PROPRIETARY TO MOLEX ELECTRONIC TECHNOLOGIES, LLC AND SHOULD NOT BE USED WITHOUT WRITTEN PERMISSION		
	DIMENSION UNITS	SCALE	CURRENT REV DESC:
▽ = 0	mm	2:1	molex SALES ASSY , HDM BACKPLANE POWER MODULE (PRESSFIT) PRODUCT CUSTOMER DRAWING
▽ = 0	GENERAL TOLERANCES (UNLESS SPECIFIED)		
▽ = 0	ANGULAR TOL ± 0.5°		
▽ = 0	4 PLACES	±	
▽ = 0	3 PLACES	±	
▽ = 0	2 PLACES	± 0.13	INITIAL REVISION: DRWN: TELO 1998/05/21 APPR: CBIXLER 2000/06/13
▽ = 0	1 PLACE	± 0.25	
▽ = 0	0 PLACES	±	
▽ = 0	DRAFT WHERE APPLICABLE MUST REMAIN WITHIN DIMENSIONS	THIRD ANGLE PROJECTION	DOCUMENT NUMBER: SDA-73656-X00X DOC TYPE: PSD DOC PART: 001 REVISION: J MATERIAL NUMBER: SEE TABLES CUSTOMER: GENERAL MARKET SHEET NUMBER: 4 OF 4