

Electronic device circuit breaker - CB E1 24DC/10A SI-C P - 2905812

Please be informed that the data shown in this PDF Document is generated from our Online Catalog. Please find the complete data in the user's documentation. Our General Terms of Use for Downloads are valid (<http://phoenixcontact.com/download>)



Electronic device circuit breaker, 1-pos., active current limitation, inverted status output and control input, plug for base element.

The figure shows the CB E1 24DC/6A SI-C P version

Product Features

- ✓ Compact design with precise nominal current levels
- ✓ Modular expansion possible thanks to the uniform, plug-in housing concept
- ✓ Sophisticated remote signaling concept enables monitoring from any location
- ✓ The control input can be switched by means of remote control
- ✓ Active current limitation, even when switching capacitive loads
- ✓ Supply/remote signaling can be bridged with CLIPLINE complete accessories



Key Commercial Data

| | |
|----------------------|----------|
| Packing unit | 1 pc |
| Custom tariff number | 85362010 |
| Country of origin | Germany |

Technical data

Dimensions

| | |
|------------------------|---------|
| Height | 45 mm |
| Width | 12.3 mm |
| Depth | 52 mm |
| Complete module height | 90 mm |
| Complete module width | 12.3 mm |
| Complete module depth | 77.3 mm |

Ambient conditions

| | |
|---------------------------------|-----------------------------------|
| Ambient temperature (operation) | -25 °C ... 50 °C (non-condensing) |
|---------------------------------|-----------------------------------|

Electronic device circuit breaker - CB E1 24DC/10A SI-C P - 2905812

Technical data

Ambient conditions

| | |
|---|-----------------------|
| Ambient temperature (storage/transport) | -40 °C ... 70 °C |
| Humidity test | 96 h, 95% RH, 40°C |
| Degree of protection | IP30 (Actuation area) |

General

| | |
|--|-----------------|
| Flammability rating according to UL 94 | V0 |
| Mounting type | On base element |
| Color | gray |
| Number of positions | 1 |
| Pollution degree | 2 |
| Type | Male |

Electrical data

| | |
|-----------------------------------|--|
| Fuse type | Electronic |
| Rated surge voltage | 0.5 kV |
| Operating voltage | 24 V DC |
| | 18 V DC ... 30 V DC |
| Nominal current I_N | 10 A |
| Rated insulation voltage U_i | 30 V (Load circuit) |
| Required backup fuse | not required, integrated failsafe element |
| Active current limitation | typ. 1.25 x I_N |
| Contact type | Without electrical isolation |
| Closed circuit current I_o | typ. 8 mA (When switched on) |
| | typ. 11 mA (With status output) |
| Temperature derating | 9 A (at 50°C) |
| Tripping method | E (electronic) |
| Dielectric strength | max. 30 V DC (Load circuit) |
| Voltage drop | 100 mV (at I_N) |
| Contact type | Without electrical isolation |
| Shutdown time load circuit | 100 ms (see time/current characteristic curve) |
| Max. capacitive load load circuit | 20000 μ F |
| Output voltage status output | 24 V DC |
| Output current status output | max. 0.2 A (Short-circuit-proof) |
| Auxiliary type of contact | Positive-switching signal output |

Standards and Regulations

| | |
|--------------------------|---------------------------------|
| Standards/specifications | UL 2367 UL recognized |
| | UL 508 UL/C-UL listed |
| | EMV EN 61000-6-3 Noise emission |

Electronic device circuit breaker - CB E1 24DC/10A SI-C P - 2905812

Technical data

Standards and Regulations

| | |
|--|---------------------------------|
| | EMV EN 61000-6-2 Noise immunity |
|--|---------------------------------|

Classifications

eCl@ss

| | |
|------------|----------|
| eCl@ss 4.0 | 27141116 |
| eCl@ss 4.1 | 27141116 |
| eCl@ss 5.0 | 27141116 |
| eCl@ss 5.1 | 27141116 |
| eCl@ss 6.0 | 27141116 |
| eCl@ss 7.0 | 27141116 |
| eCl@ss 8.0 | 27141116 |

ETIM

| | |
|----------|----------|
| ETIM 3.0 | EC000899 |
| ETIM 4.0 | EC000899 |
| ETIM 5.0 | EC000899 |

UNSPSC

| | |
|---------------|----------|
| UNSPSC 6.01 | 30211812 |
| UNSPSC 7.0901 | 39121411 |
| UNSPSC 11 | 39121411 |
| UNSPSC 12.01 | 39121411 |
| UNSPSC 13.2 | 39121411 |

Approvals

Approvals

Approvals

UL Recognized / UL Listed / cUL Listed / EAC / cULus Listed

Ex Approvals

Approvals submitted

Electronic device circuit breaker - CB E1 24DC/10A SI-C P - 2905812

Approvals

Approval details

UL Recognized

UL Listed

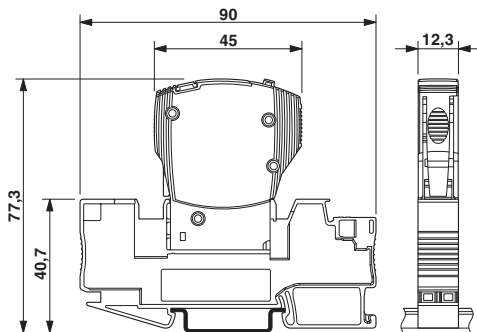
cUL Listed

EAC

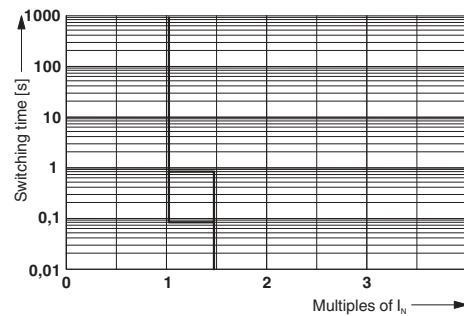
cULus Listed

Drawings

Dimensional drawing



Diagram



The figure shows the complete module consisting of a base element and connector

Trigger characteristic

Electronic device circuit breaker - CB E1 24DC/10A SI-C P - 2905812

Application drawing

