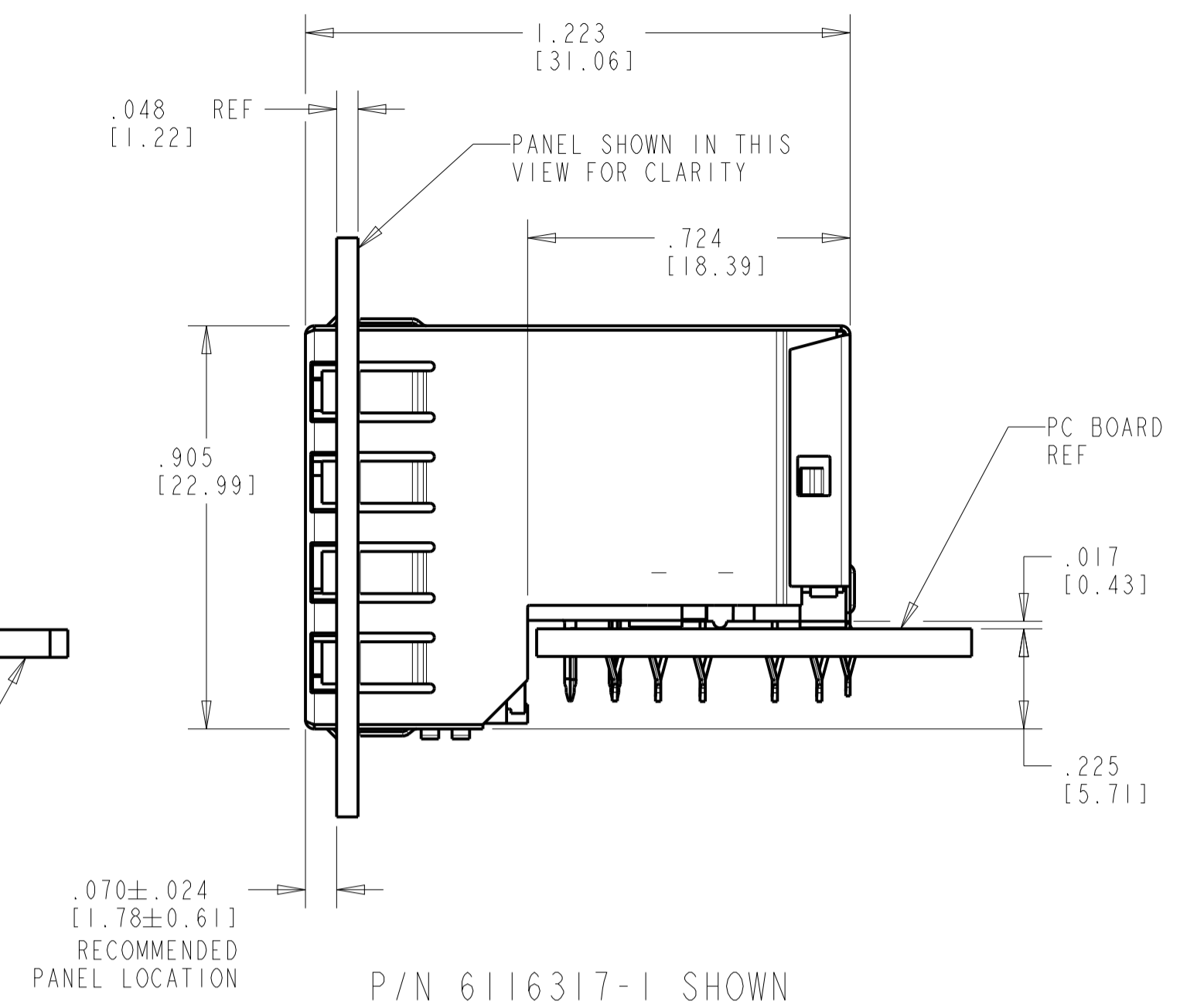
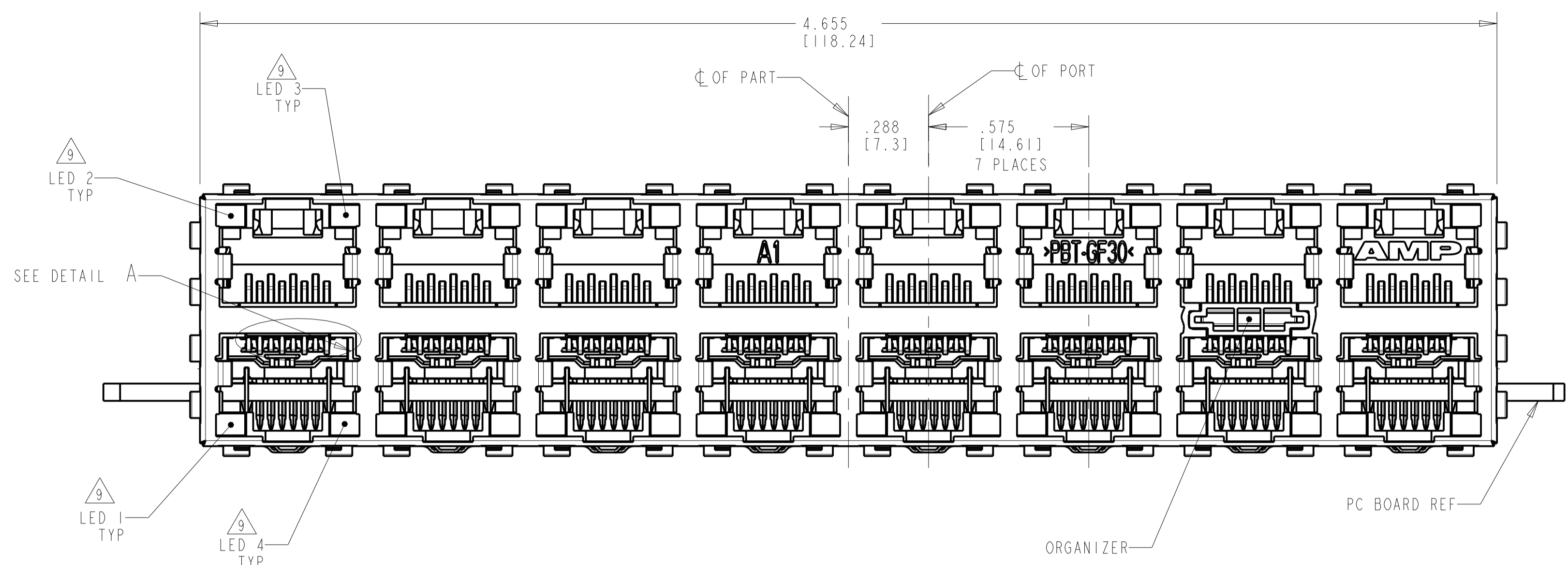
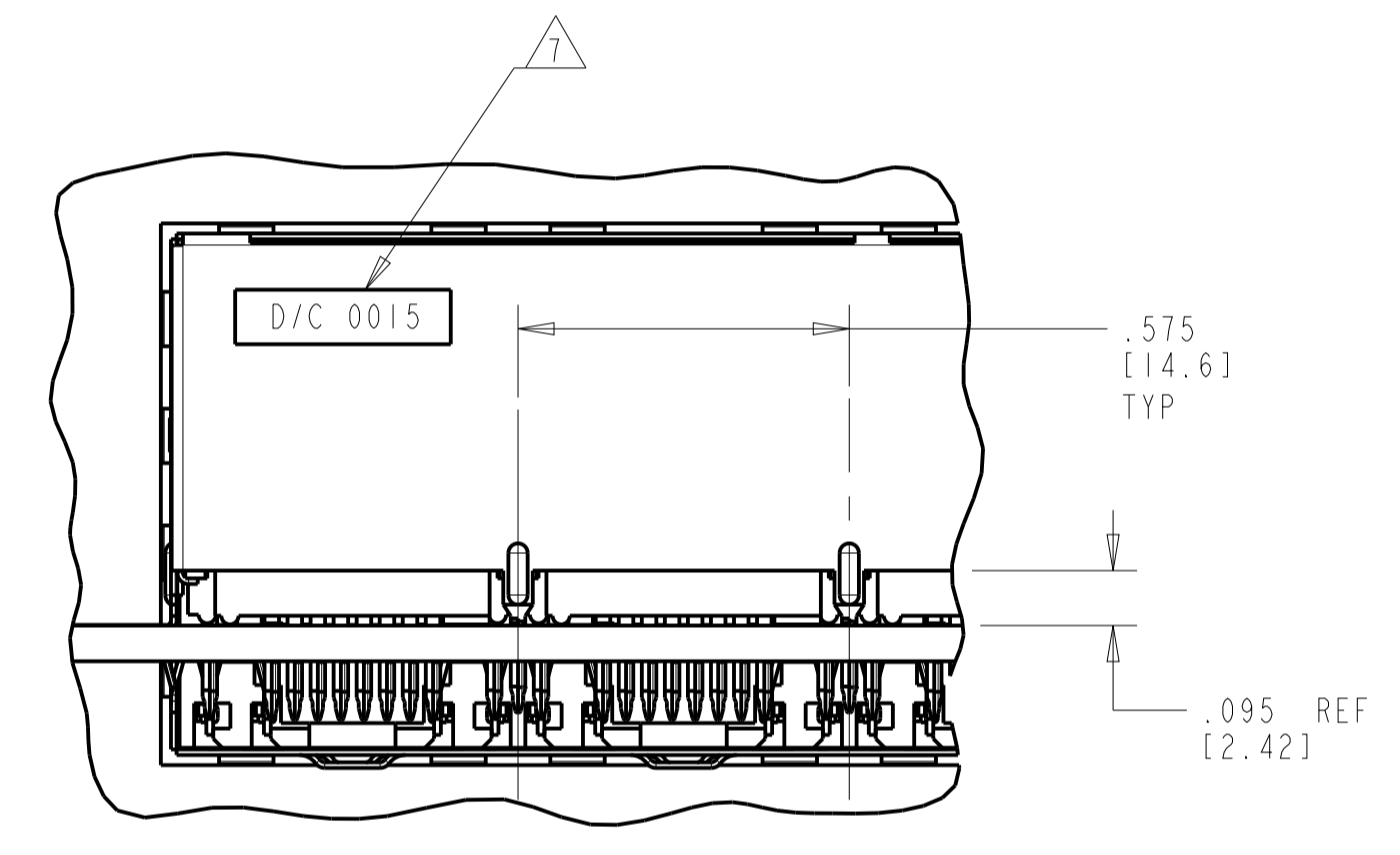
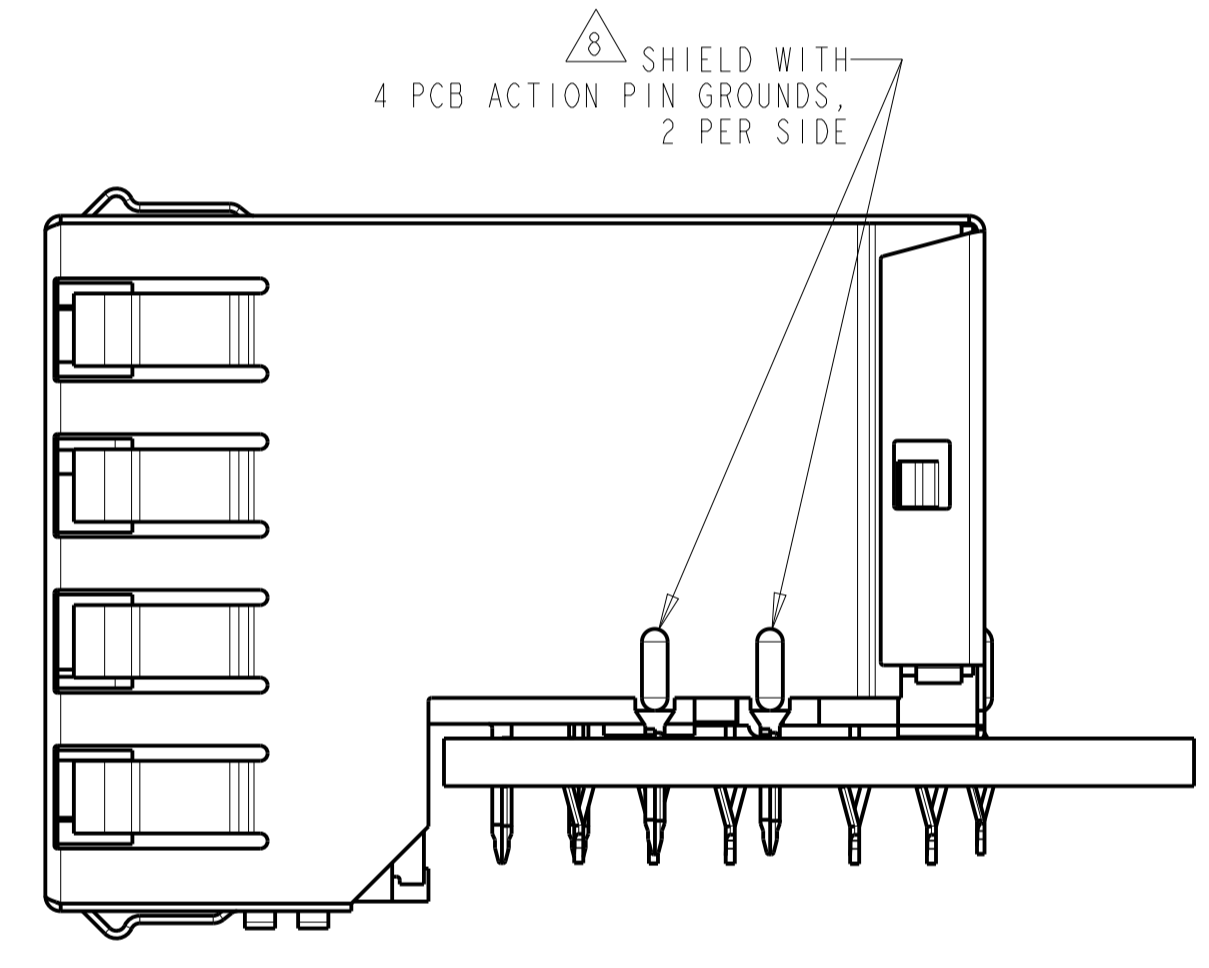
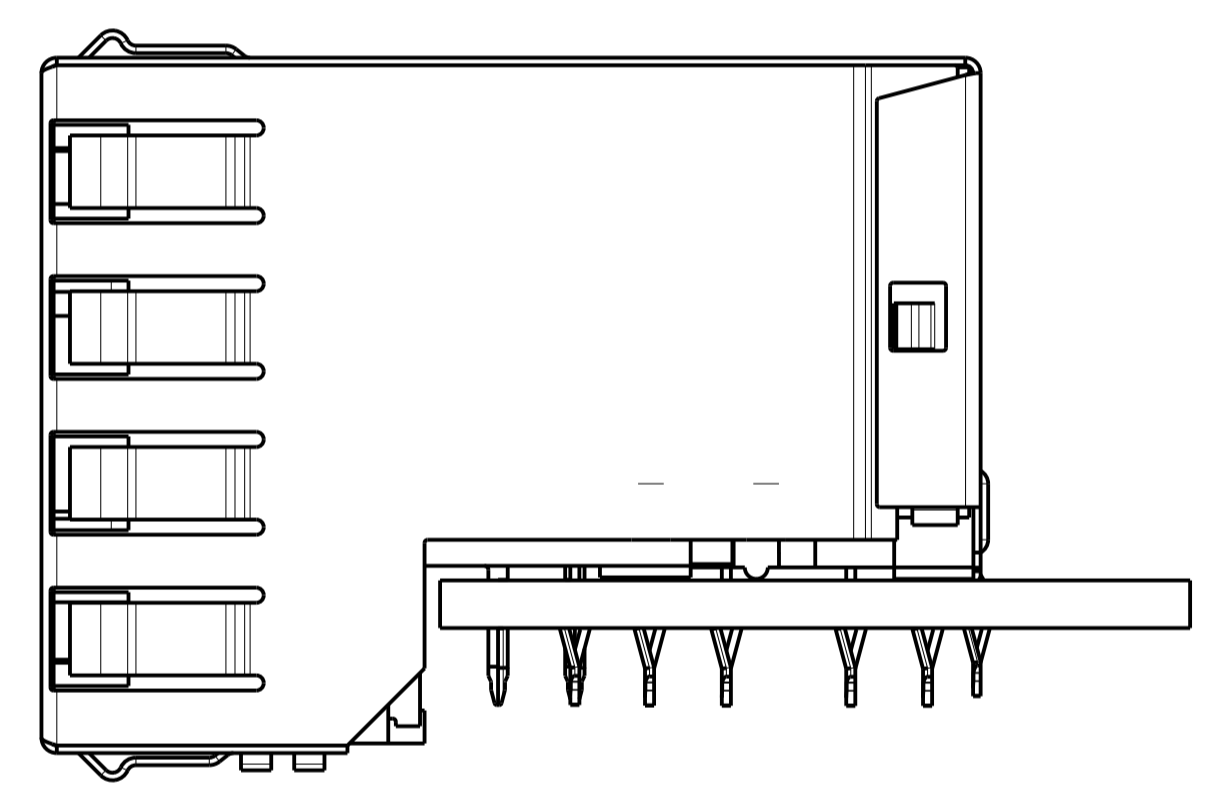


LOC	DIST	REVISIONS			
		REV	DATE	BY	APPV
AA	22	C2	REVISED PER ECO-11-005033	04MAY11	RK HMR
		D	ECO-15-006810	22JAN2016	LL SH
		D1	REVISED PER ECO-21-000623	28JUL2020	IT SH

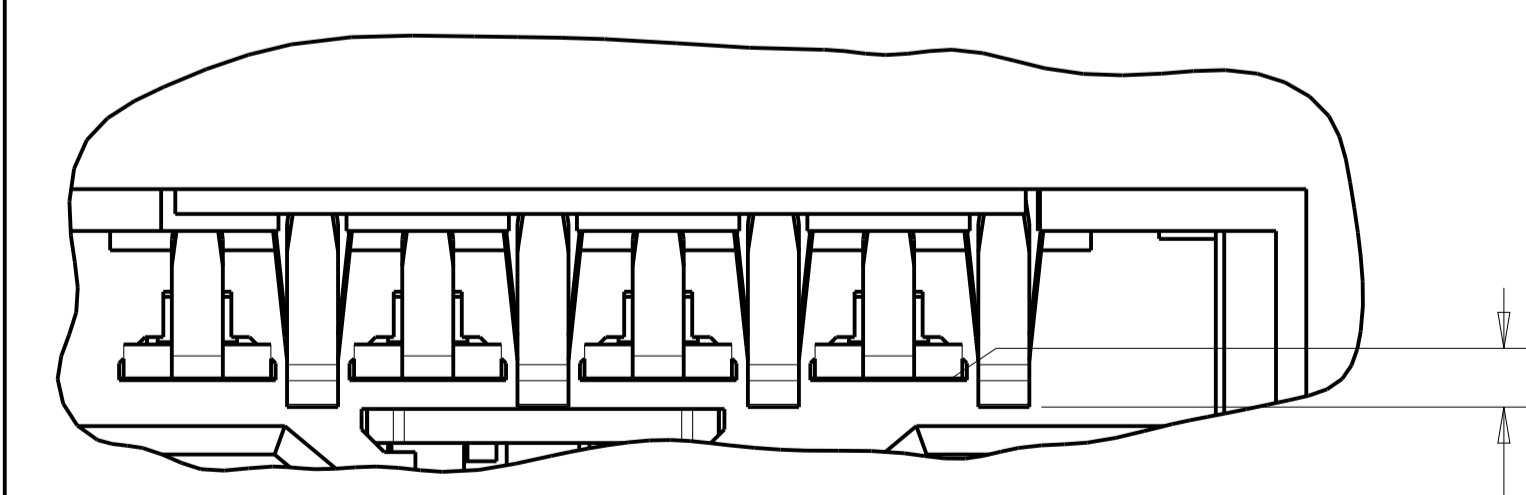
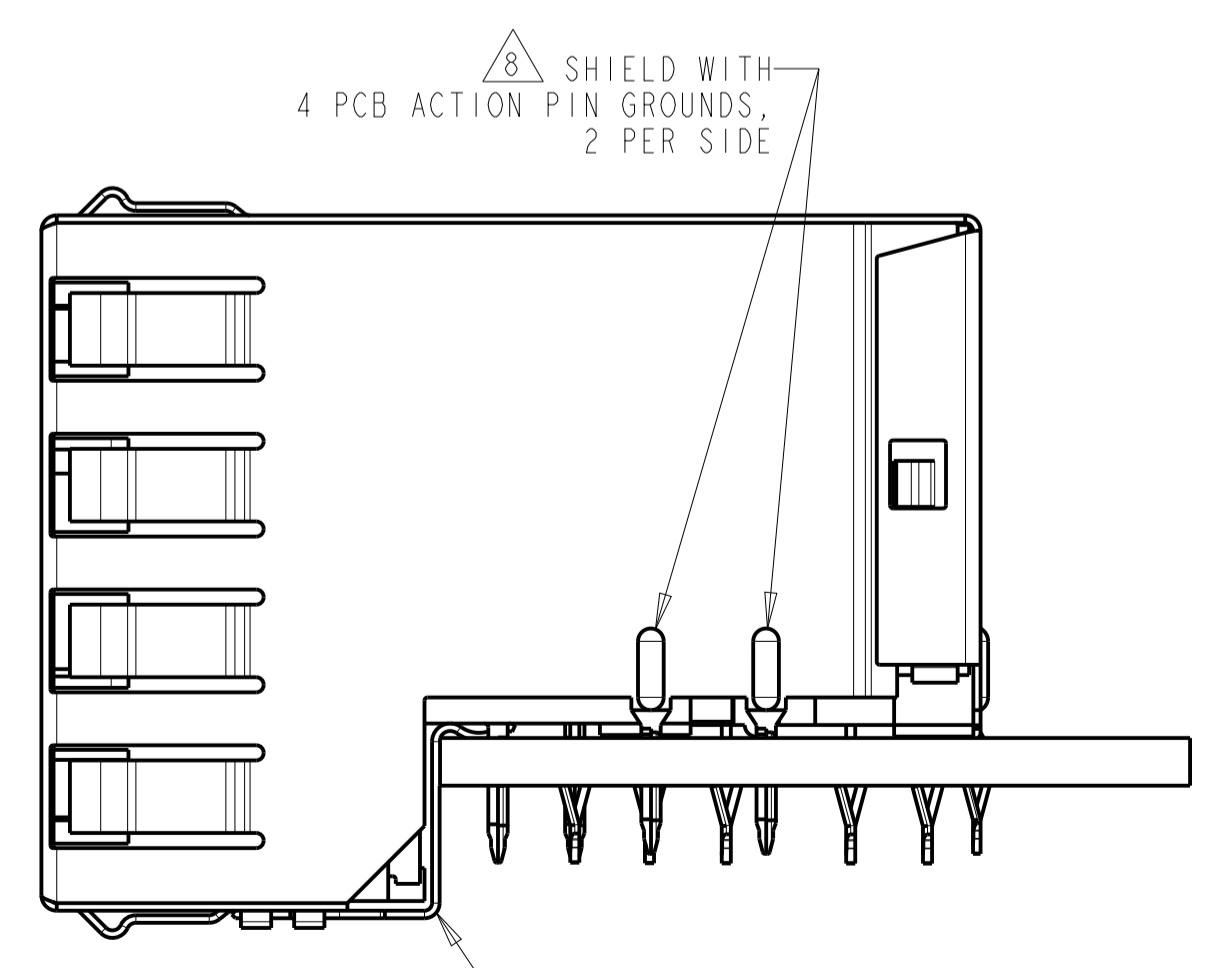
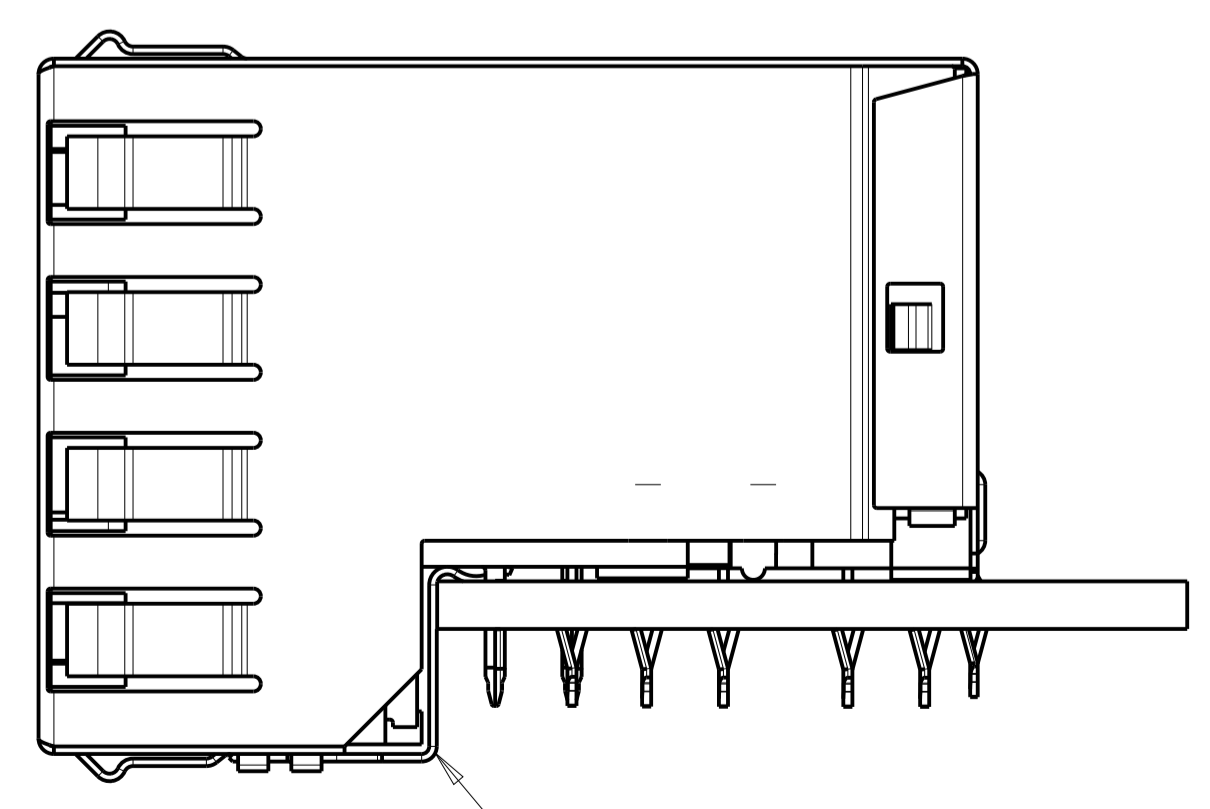


- △ HOUSING: PBT POLYESTER, BLACK, UL 94V-0.
- TERMINALS: 0.30 THICK PHOS BRONZE PLATED WITH 1.27µm MINIMUM THICK HARD GOLD IN LOCALIZED AREA AND 2µm MINIMUM THICK MATTE TIN IN ACTION PIN COMPLIANT PIN TERMINAL AREA OVER 1.27µm MINIMUM THICK NICKEL UNDERPLATE.
- SHIELD: 0.25 THICK COPPER ALLOY PLATED WITH 1.27µm MINIMUM NICKEL.
- GROUND CLIPS: 0.25 THICK COPPER ALLOY PLATED WITH 2.03µm MINIMUM MATTE TIN OVER 1.27µm MINIMUM NICKEL.
- LIGHT EMITTING DIODE (LED): DIFFUSED EPOXY LENS, 12.95 CARBON STEEL WIREFRAME LEADS PLATED WITH 8.89µm TIN/COPPER OVER 2.03µm SILVER OVER 1.02µm COPPER OVER 3.56µm NICKEL OVER 1.02µm COPPER UNDERPLATE.
- LED ACTION PIN COMPLIANT PIN CONTACTS: 0.30 THICK BRASS PLATED WITH 2µm MINIMUM MATTE TIN OVER 1.27µm MINIMUM NICKEL UNDERPLATE.
- 2. JACK CAVITY CONFORMS TO FCC RULES AND REGULATIONS, PART 68 SUBPART F.
- 3. ALL DIMENSIONS ARE NOMINAL UNLESS OTHERWISE SPECIFIED.
- 4. TWO LEDS PER PORT, SIZE .079 X .118, SEE TABLE.
- △ 5 DRILLED HOLE DIA = .040±.001. COPPER THICKNESS = .001-.003. TIN THICKNESS = .0003 MIN.
- △ 6 DATUMS AND BASIC DIMENSIONS ESTABLISHED BY CUSTOMER.
- △ 7 DATE CODE LOCATED ON REAR OF PART APPROXIMATELY AS SHOWN.
- △ 8 THESE FOUR SIDE PCB ACTION PIN GROUNDS AND CORRESPONDING PCB HOLES ARE REQUIRED ONLY ON 6116317-2, 6116317-3, 6116317-5, 6116317-6, 6116317-7,-9 AND 1--0.
- △ 9 SUGGESTED OPERATING CURRENT FOR LEDS IS 20 mA.



PARTIAL BACK VIEW

LED #4 (LOWER-RIGHT)	LED #3 (UPPER-RIGHT)	LED #2 (UPPER-LEFT)	LED #1 (LOWER-LEFT)	PART NO.
RED/GREEN	RED/GREEN	RED/GREEN	RED/GREEN	1-6116317-0
GREEN/YELLOW	GREEN/YELLOW	RED/GREEN	RED/GREEN	6116317-9
GREEN/YELLOW	GREEN/YELLOW	RED/GREEN	RED/GREEN	6116317-8
GREEN	GREEN	YELLOW	YELLOW	6116317-7
YELLOW	YELLOW	GREEN	GREEN	6116317-6
GREEN/YELLOW	GREEN/YELLOW	GREEN/YELLOW	GREEN/YELLOW	6116317-5
GREEN	GREEN	GREEN	GREEN	6116317-4
GREEN	GREEN	GREEN	GREEN	6116317-3
GREEN	GREEN	GREEN	GREEN	6116317-2
GREEN	GREEN	GREEN	GREEN	6116317-1



8	4	△ 8	1-6116317-0
8	4	△ 8	6116317-9
NONE	NONE		6116317-8
NONE	4	△ 8	6116317-7
NONE	4	△ 8	6116317-6
NONE	4	△ 8	6116317-5
8	NONE		6116317-4
8	4	△ 8	6116317-3
NONE	4	△ 8	6116317-2
NONE	NONE		6116317-1
GROUND CLIPS	SIDE PCB ACTION PIN GNDS		PART NUMBER

THIS DRAWING IS A CONTROLLED DOCUMENT.

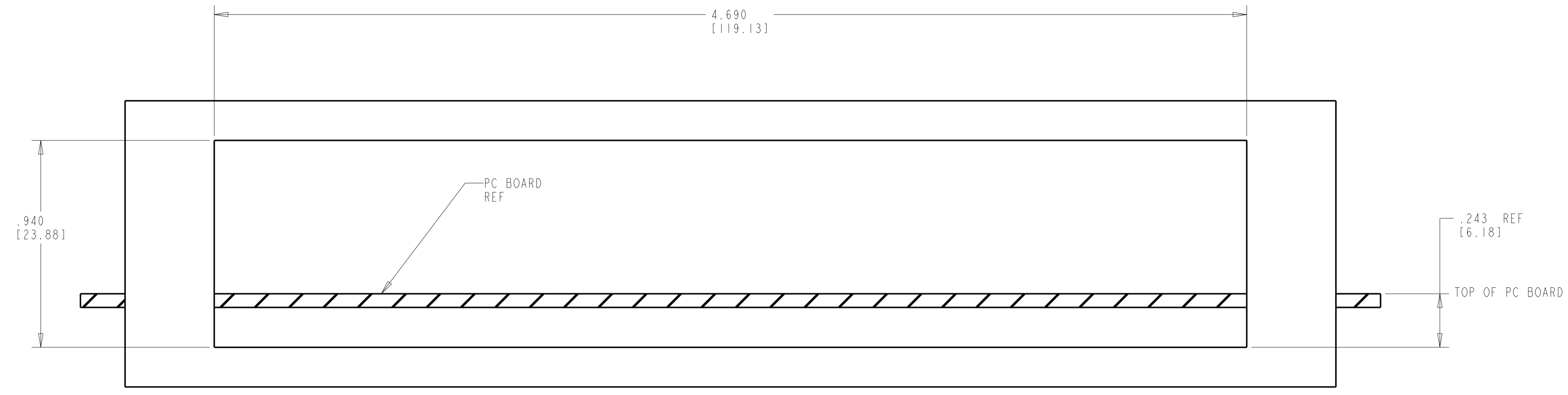
DIMENSIONS: INCHES(mm)	TOLERANCES UNLESS OTHERWISE SPECIFIED:	OWN: L. VARELA - DOCKS CHK: J. WESTMAN APPV: S. FLICKINGER	23 JUN 2005 23 JUN 2005 23 JUN 2005
0 PLC ± 2 PLC ± 3 PLC ± 4 PLC ±.005 (0.13) ANGLES ±	± ± ±.005 (0.13) ±	PRODUCT SPEC: 108-1854 APPLICATION SPEC: 114-2160 WEIGHT: 1 = 77.2 grams	NAME: STACKED MODULAR JACK ASSEMBLY, 2X8 WITH LEDS, 8 POSITION, SHIELDED PANEL GROUND, OFFSET, CAT 5 SIZE: CAGE CODE DRAWING NO: 00779 RESTRICTED TO: A1
MATERIAL: △	FINISH: △	CUSTOMER DRAWING	SCALE: 3:1 SHEET 1 OF 3 REV: D

TE Connectivity

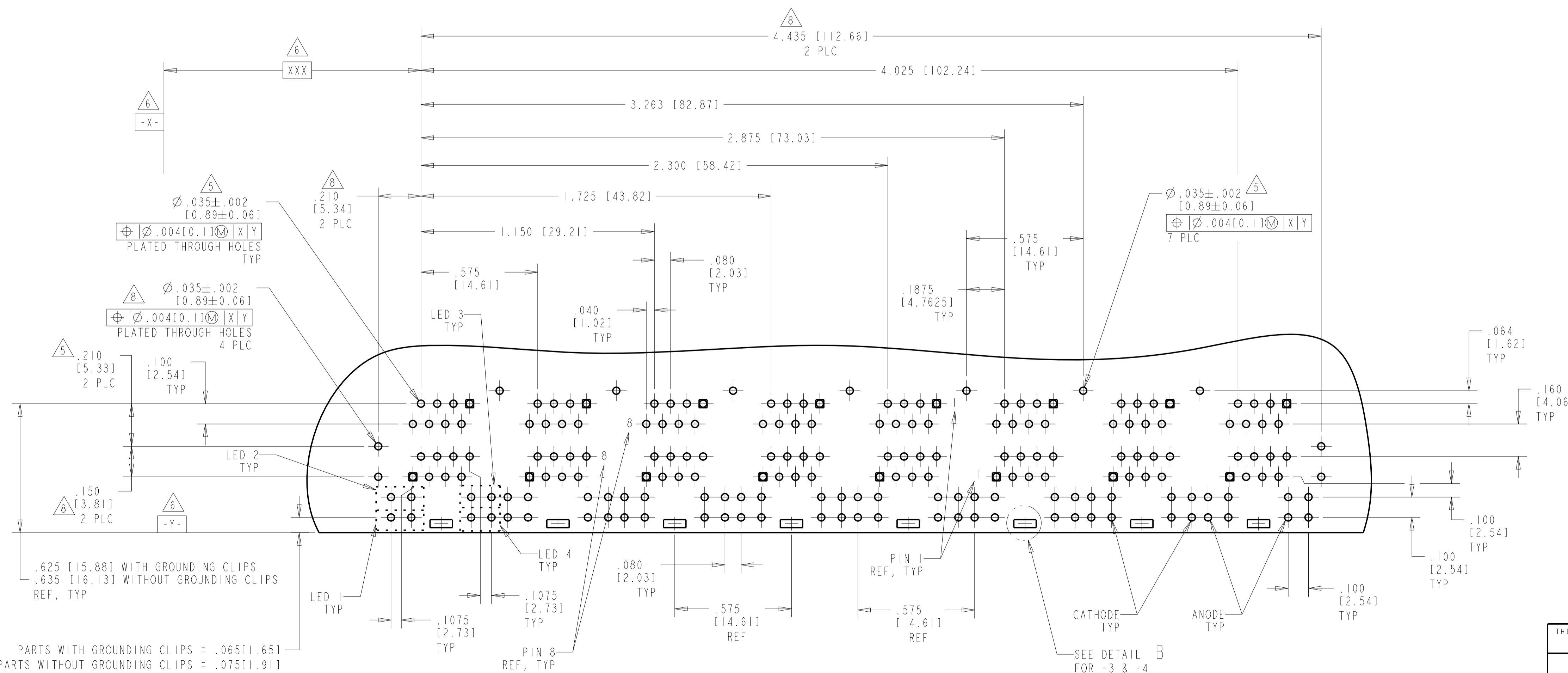
LOC	DIST	REV	DATE	BY	APPD
AA	22				

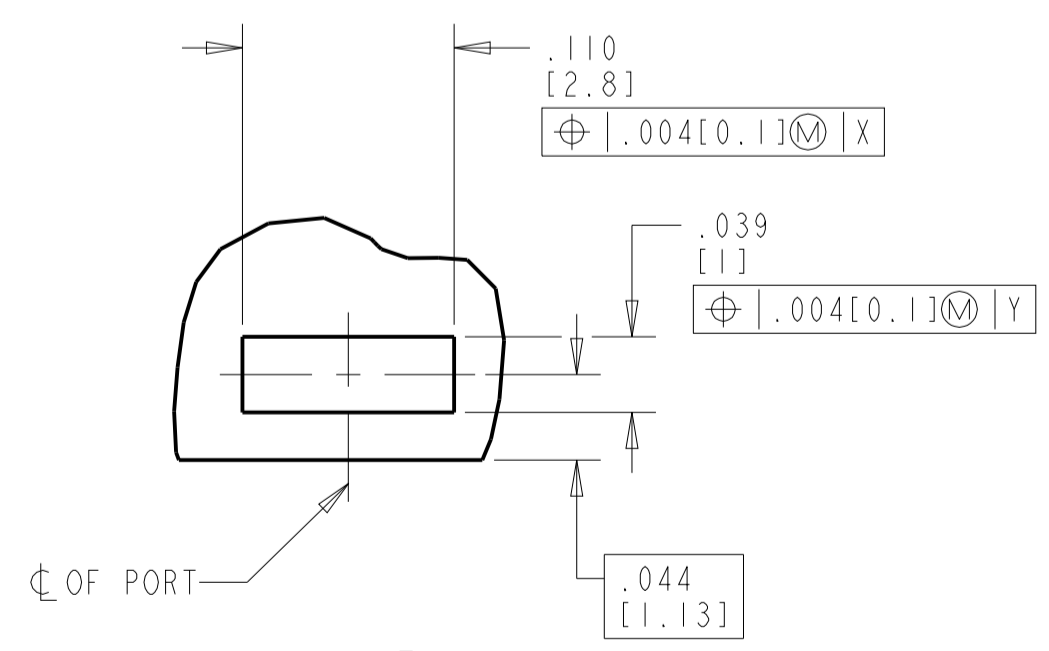
REVISIONS					
REV	DATE	BY	APPD	DESCRIPTION	DATE
-	-	-	-	SEE SHEET 1	-



RECOMMENDED PANEL CUT-OUT



PC BOARD LAYOUT (COMPONENT SIDE)

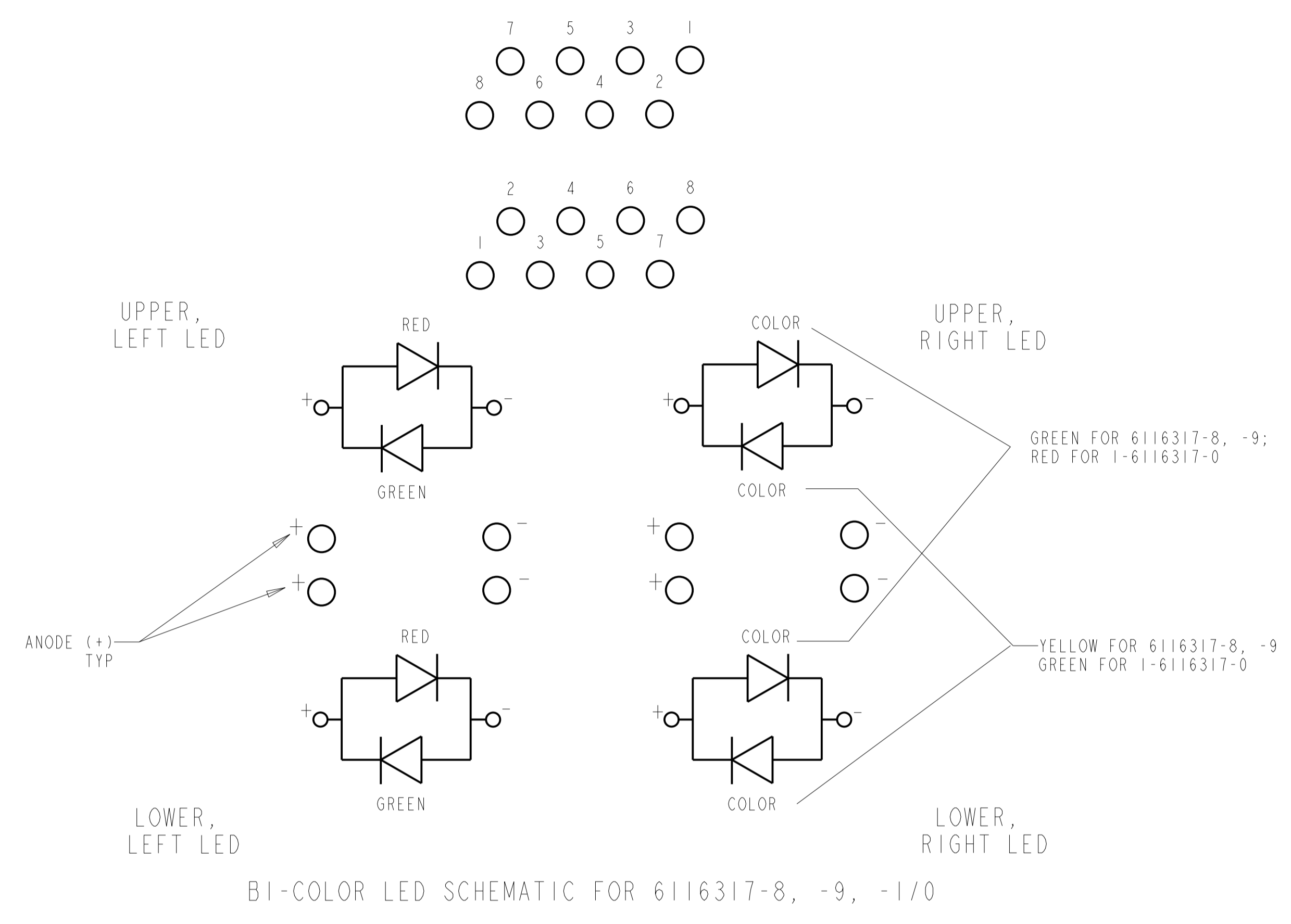
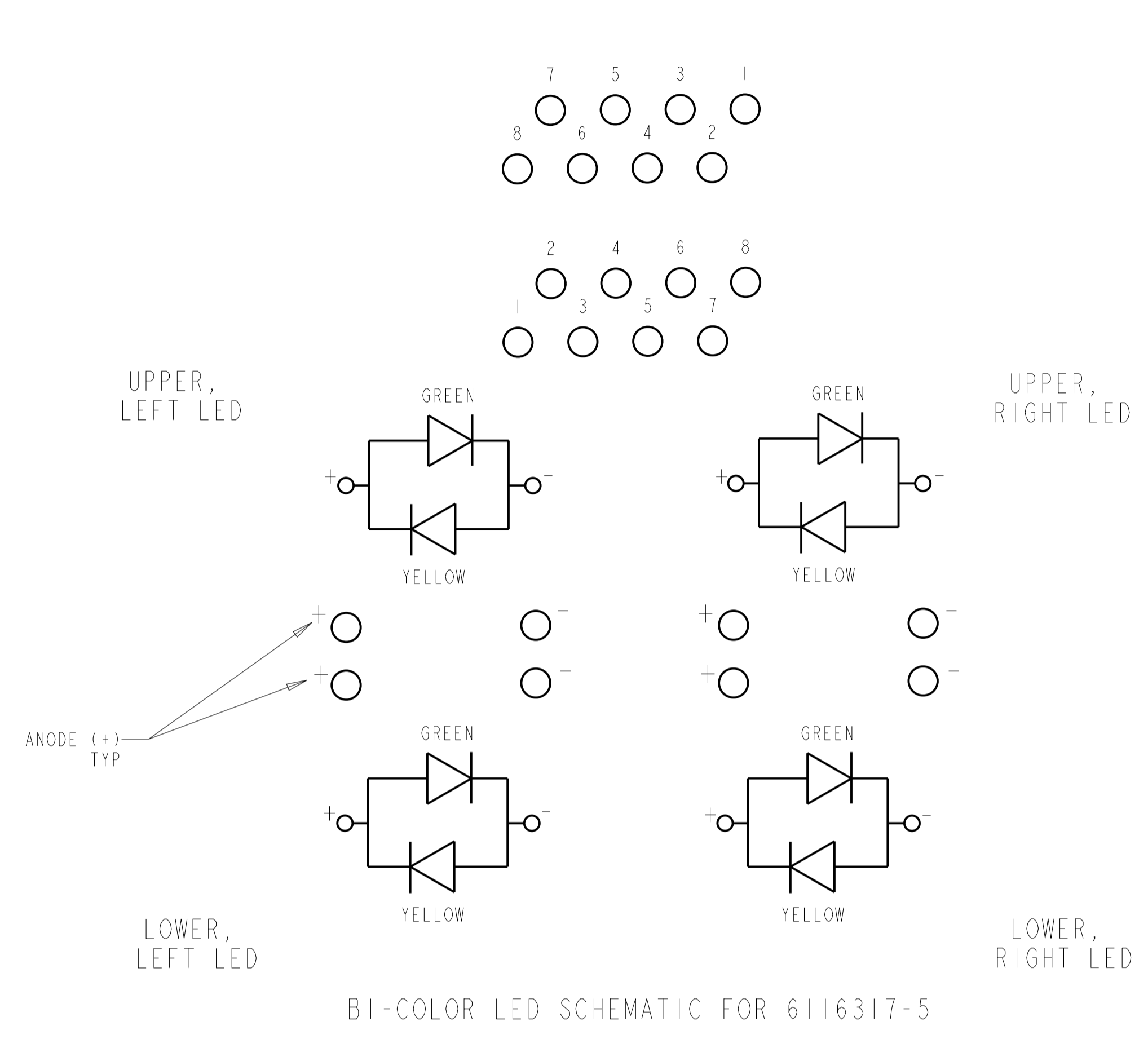


DETAIL B  
THESE PLATED PADS REQUIRED FOR 6116317-3 & -4  
PRODUCTS WITH GROUNDING CLIPS  
SCALE 10:1  
8 PLACES

PARTS WITH GROUNDING CLIPS = .065 [1.65]  
PARTS WITHOUT GROUNDING CLIPS = .075 [1.91]

THIS DRAWING IS A CONTROLLED DOCUMENT.		OWN: J. VARELA - DOCKS CHK: J. WESTMAN APPD: S. FLICKINGER	23 JUN 2005 23 JUN 2005 23 JUN 2005	TE Connectivity
DIMENSIONS: INCHES [mm]	TOLERANCES UNLESS OTHERWISE SPECIFIED:	PRODUCT SPEC: 108-1854	APPLICATION SPEC: 114-2160	
MATERIAL:	FINISH:	WEIGHT: 77.2 grams	SIZE: A1	CAGE CODE: 00779
CUSTOMER DRAWING		SCALE: 3:1	SHEET: 2 OF 3	REV: D1

LOC	DIST	REVISIONS			
AA	22	REV	DATE	BY	APPV
		-	SEE SHEET 1	-	-



THIS DRAWING IS A CONTROLLED DOCUMENT.		DWN: L. VARELA - DOCKS CHK: J. WESTMAN APPV: S. FLICKINGER	23 JUN 2005 23 JUN 2005 23 JUN 2005	 TE Connectivity
DIMENSIONS: INCHES(mm)	TOLERANCES UNLESS OTHERWISE SPECIFIED:	PRODUCT SPEC	NAME	
	0 PLC ± 2 PLC ± 3 PLC ± 4 PLC ±.005 (0.13) ANGLES ±.	108-1854	STACKED MODULAR JACK ASSEMBLY, 2X8 WITH LEDS, 8 POSITION, SHIELDED PANEL GROUND, OFFSET, CAT 5	
MATERIAL	FINISH	114-2160	SIZE	
		WEIGHT 77.2 grams	CAGE CODE DRAWING NO. RESTRICTED TO	
		CUSTOMER DRAWING	A1 00779 ©=6116317	
		SCALE 3:1	SHEET 3 OF 3 REV D1	