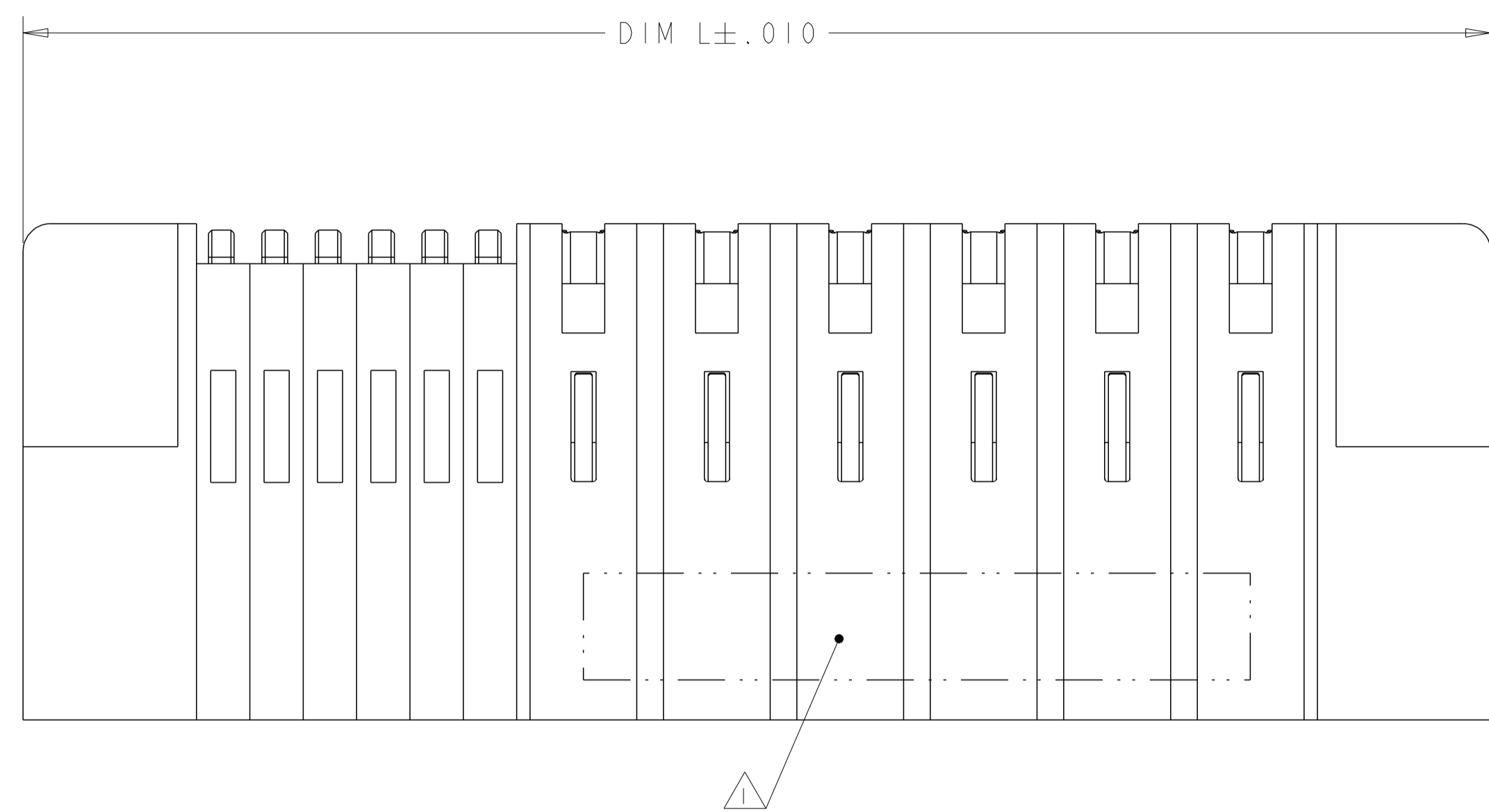
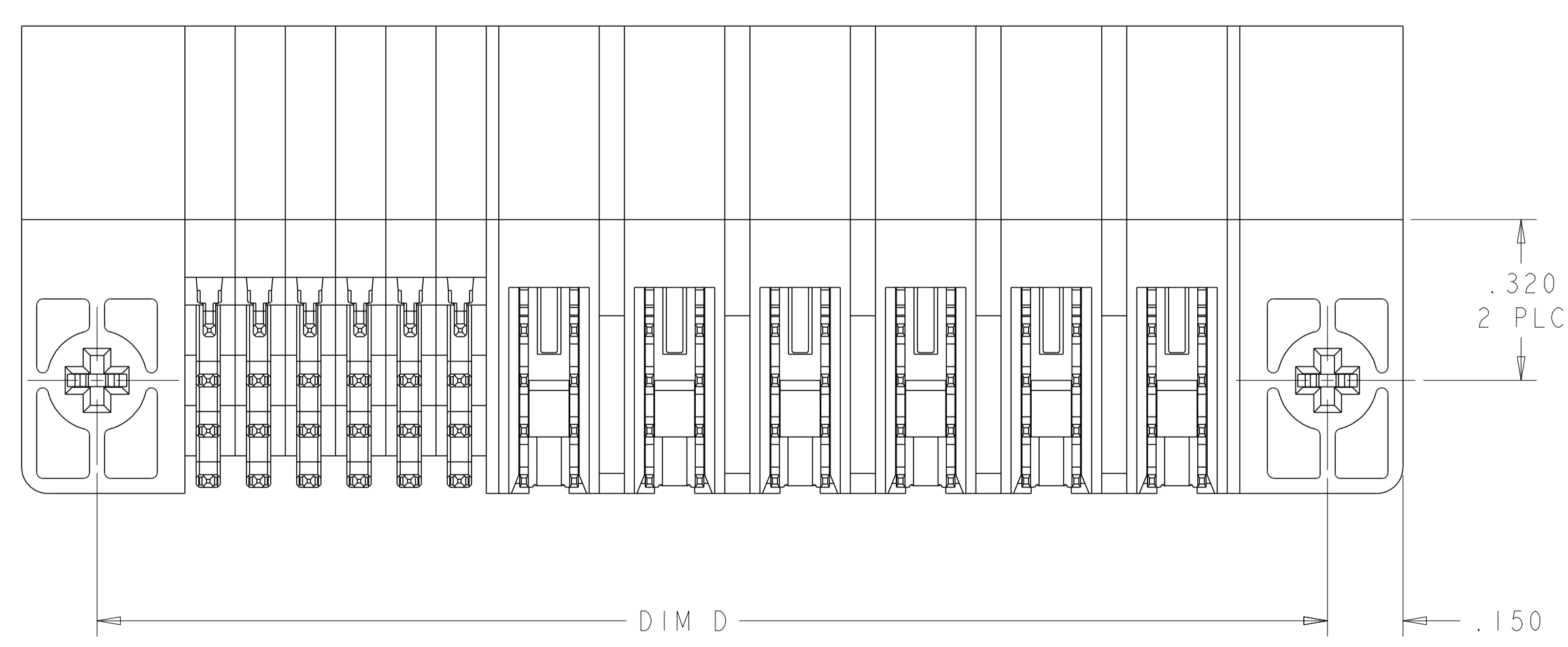
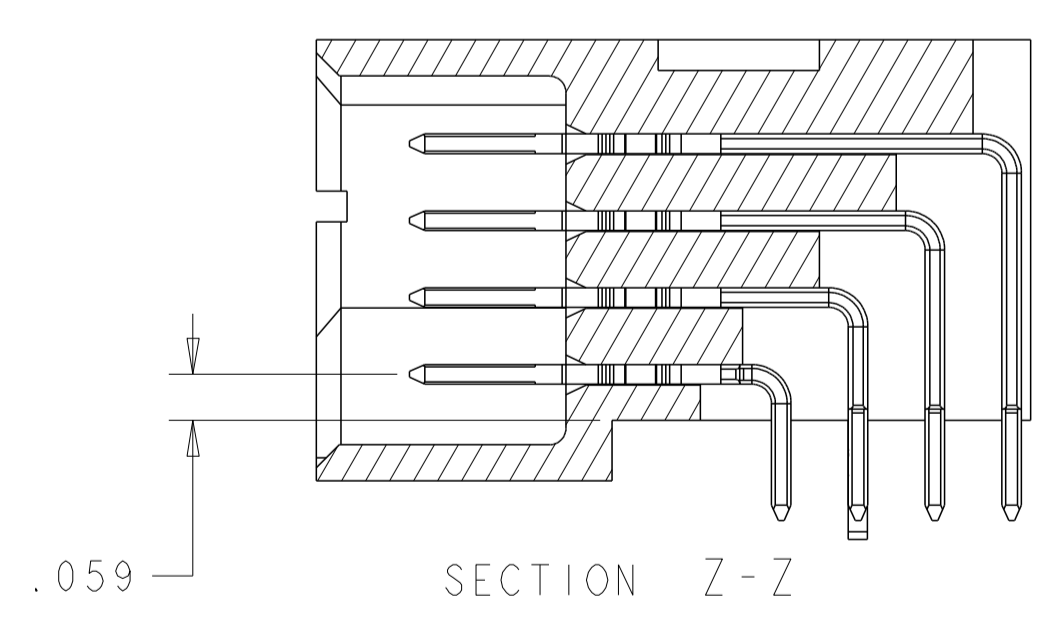
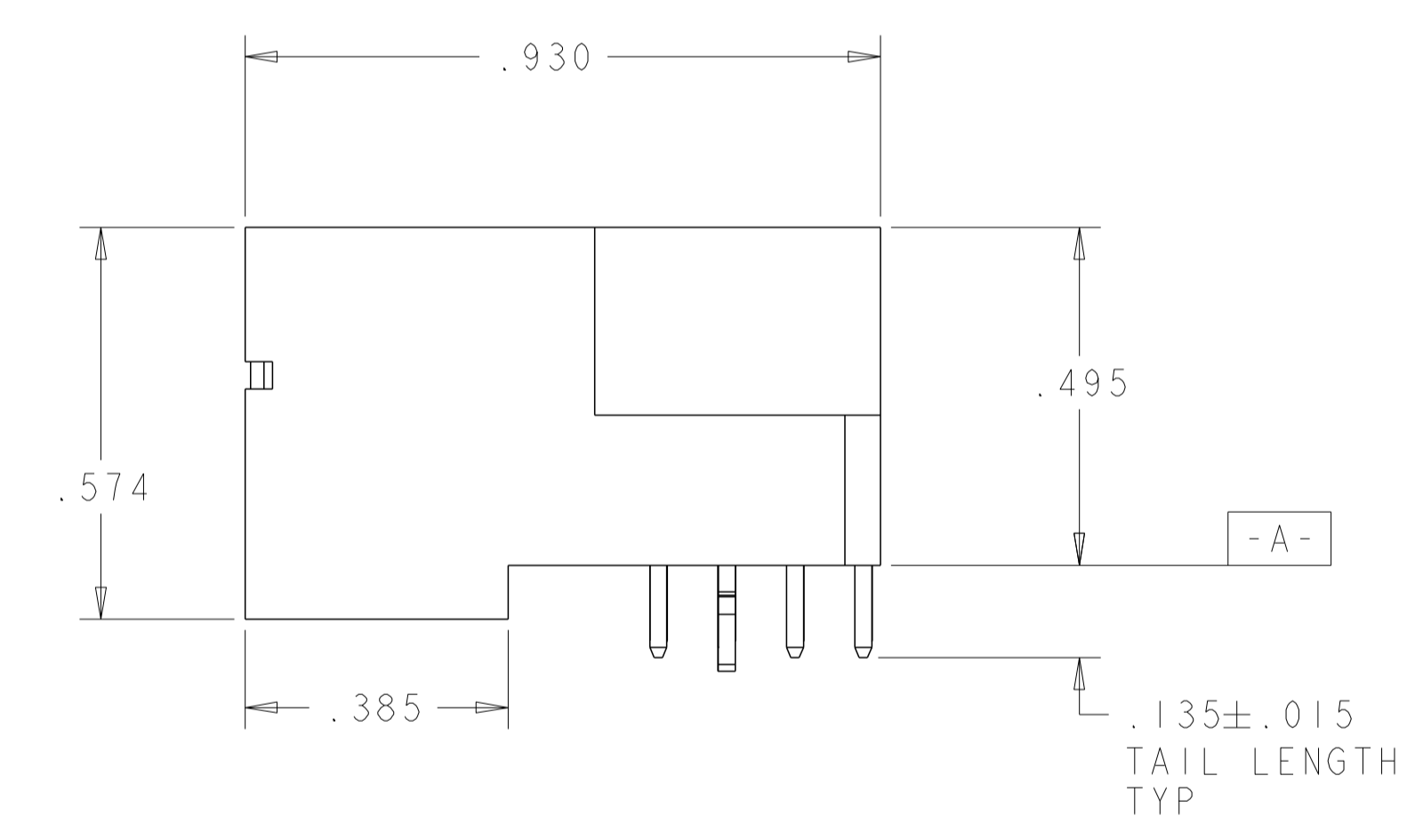
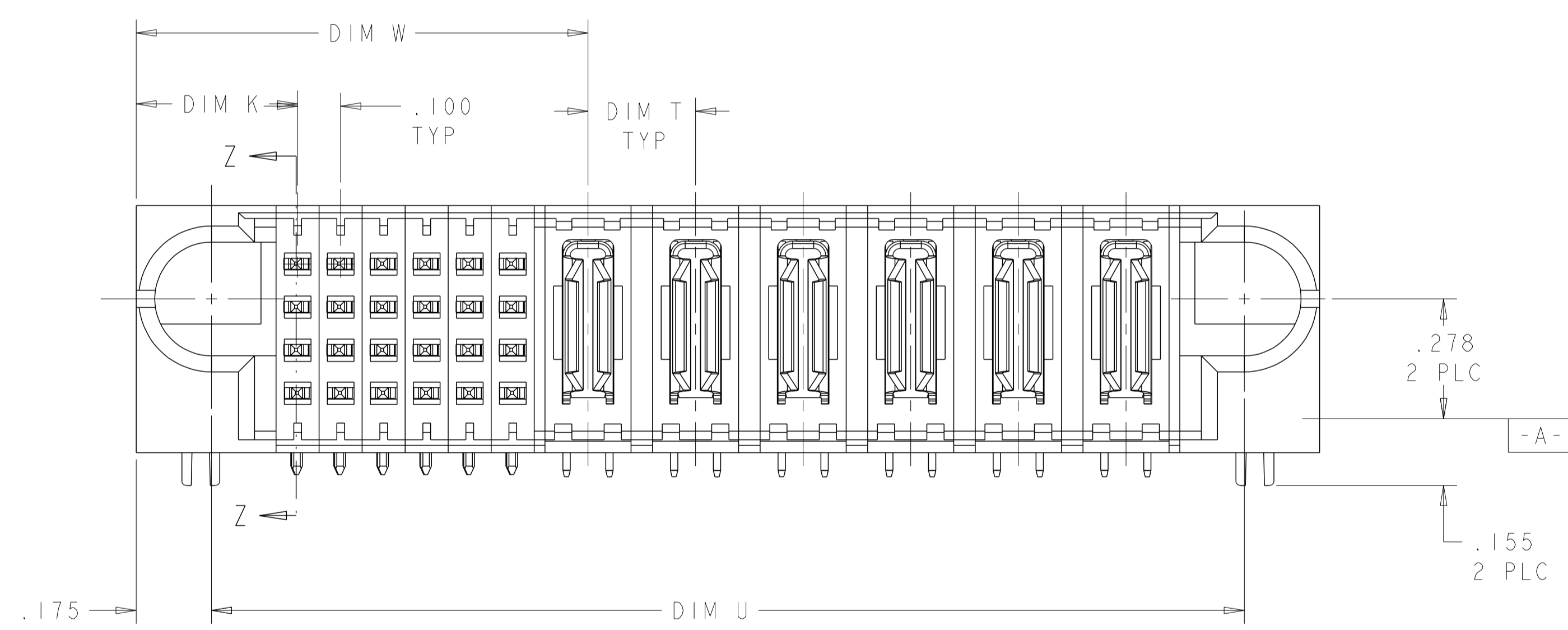


THIS DRAWING IS UNPUBLISHED. RELEASED FOR PUBLICATION
 © COPYRIGHT 20 BY - ALL RIGHTS RESERVED.

LOC	DIST	REVISIONS					
GP	00	P	LTR	DESCRIPTION	DATE	DWN	APVD
		D		REV PER ECR-12-003619	27FEB2012	CZ	SZ
		D1		ADDED NEW DASH NUMBER 1-1	04DEC2017	CZ	SZ



- 1 PART NUMBER, AND DATE CODE MARKED IN AREA SHOWN.
- 2 MATERIAL:
 HOUSING - GLASS FILLED HIGH TEMP THERMO PLASTIC, UL94 V-0
 SIGNAL CONTACT - COPPER ALLOY
 POWER CONTACT - HIGH CONDUCTIVITY COPPER ALLOY
- 3 CONTACT PLATING: NOBLE METAL PLATING ON CONTACT FUNCTIONAL AREA OF POWER AND SIGNAL CONTACTS.
- 4 MECHANICAL CONNECTOR KEEP OUT ZONE.
- 5 DATUM AND BASIC DIMENSIONS ESTABLISHED BY CUSTOMER.
- 6 PCB - ALL HOLE DIAMETERS ARE FINISHED HOLE SIZES.
- 7 PCB - .0453 ± .0010 DRILLED HOLES PLATED WITH .0003 MIN Sn OVER .001 TO .003 Cu PLATING TO ACHIEVE A .040 HOLE.
- 8 VARIABLE DIMENSION, SEE VIEW ON SHEET 4



THIS DRAWING IS A CONTROLLED DOCUMENT.		DWN R. GBZYBOWSKI 13JUN05	TE Connectivity RIGHT ANGLE HEADER ASSEMBLY W/GUIDES DUAL BEAM XL	
DIMENSIONS: INCHES		CHK M. PERCHERKE 13JUN05		
TOLERANCES UNLESS OTHERWISE SPECIFIED: 0 PLC ± 1 PLC ±.01 2 PLC ±.005 3 PLC ±.0020 4 PLC ±.0020 ANGLES ±2°		NAME M. PERCHERKE	PRODUCT SPEC 108-1973	RESTRICTED TO
MATERIAL		FINISH	APPLICATION SPEC 114-13038	SIZE A1
CUSTOMER DRAWING		SCALE 4:1	WEIGHT	SHEET 1 OF 5
				REV D1

8

7

6

5

4

3

2

1

THIS DRAWING IS UNPUBLISHED. RELEASED FOR PUBLICATION 20
 © COPYRIGHT 20 BY - ALL RIGHTS RESERVED.

LOC	DIST	REVISIONS			
P	LTR	DESCRIPTION	DATE	DWN	APVD
-	-	SEE SHEET 1	-	-	-

.250	2.450	2.400	1.050	.375	2.750	24S + 6P	1-6600120-1
.200	3.375	3.325	1.050	.375	3.675	24S + 12HDP	1-6600120-0
.250	2.450	2.400	1.050	.375	2.750	24S + 6P	6600120-9
.250	3.450	3.400	1.050	.375	3.750	24S + 10P	6600120-8
.250	3.450	3.400	1.050	.375	3.750	24S + 10P	6600120-3
.250	2.450	2.400	1.050	.375	2.750	24S + 6P	6600120-2
	3.850	3.800	.900	.400	4.150	12S + 11P	6600120-1
DIM T	DIM D	DIM U	DIM W	DIM K	DIM L	DESCRIPTION	PART NUMBER

THIS DRAWING IS A CONTROLLED DOCUMENT. DWN R.GBZYBOWSKI 13JUN05
 CHN M.PERCHEK 13JUN05

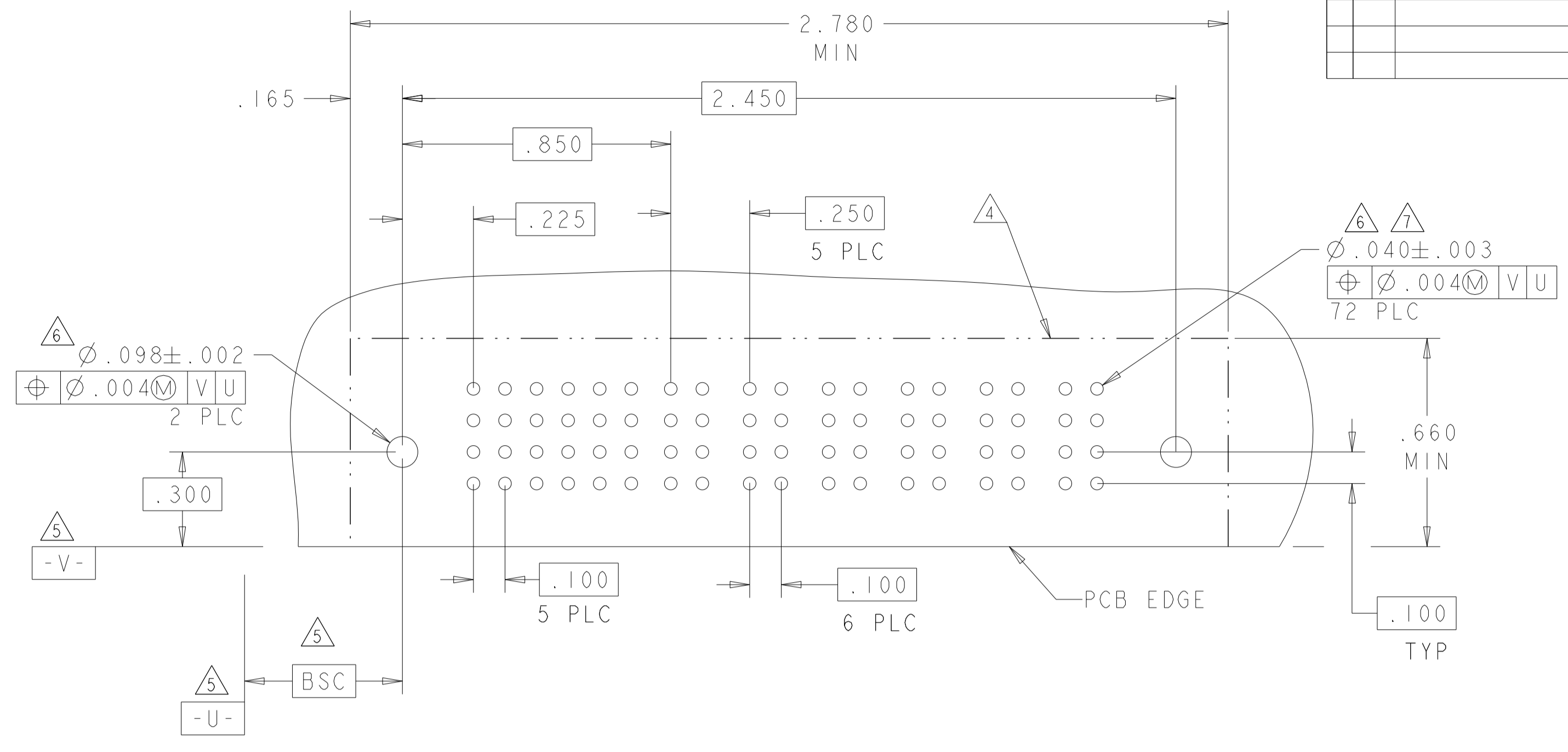
STE TE Connectivity

APVD M.PERCHEK NAME RIGHT ANGLE HEADER ASSEMBLY W/GUIDES DUAL BEAM XL
 PRODUCT SPEC 108-1973
 APPLICATION SPEC 114-13038

MATERIAL FINISH WEIGHT A1 100779 C=6600120 RESTRICTED TO
 CUSTOMER DRAWING SCALE 4:1 SHEET 2 OF 5 REV D1

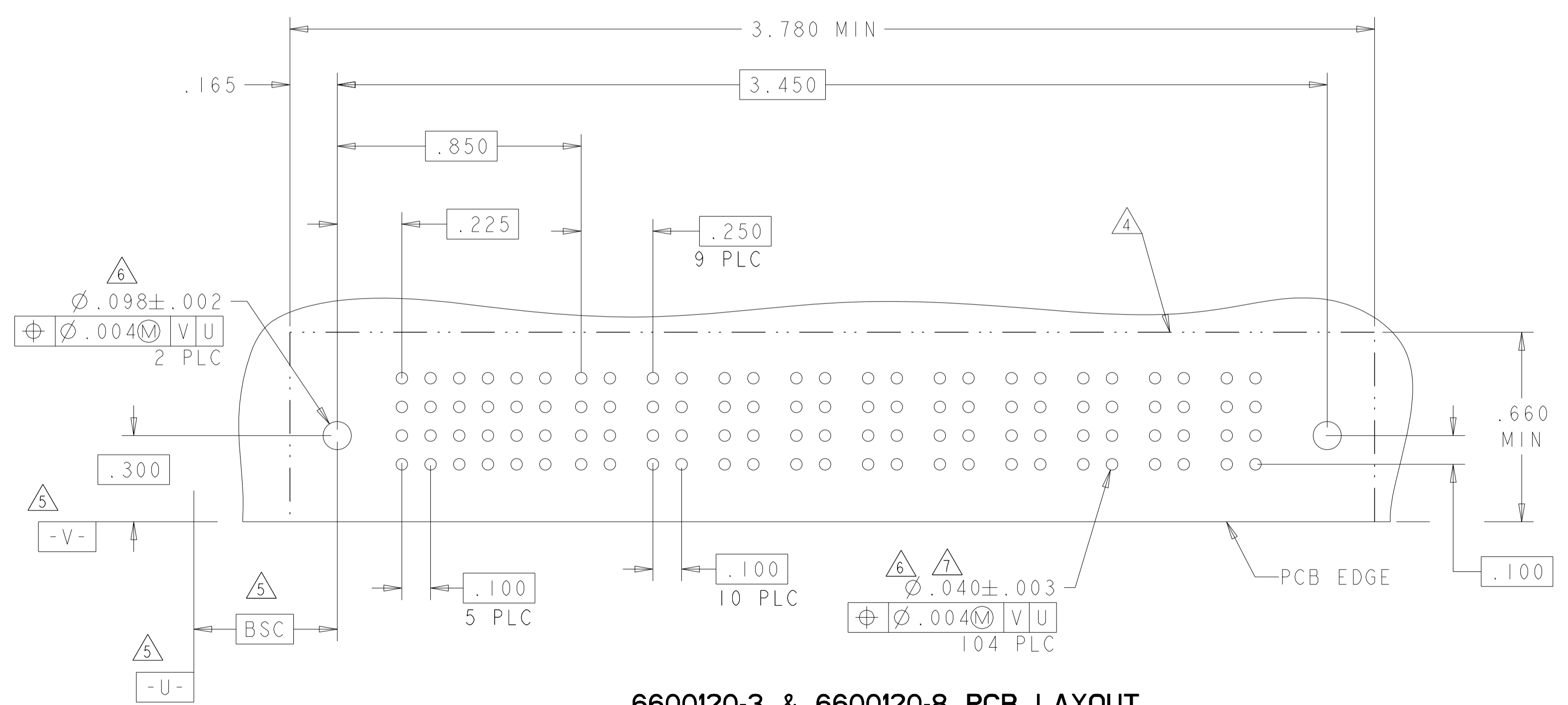
REVISONS		DATE	DWN	APVD
P	LTR	DESCRIPTION		
-	-	SEE SHEET 1	-	-

PART NUMBER	ROWS	SIGNAL						POWER					
		1	2	3	4	5	6	P1	P2	P3	P4	P5	P6
6600120-2	D C B A	J	J	J	J	J	J	PS	PS	PS	PS	PS	PS
24S + 6P		K	K	K	K	K	K						
		N	N	N	N	N	N						
		S	S	S	S	S	S						



PART NUMBER	ROWS	SIGNAL						POWER									
		1	2	3	4	5	6	P1	P2	P3	P4	P5	P6	P7	P8	P9	P10
6600120-3	D C B A	J	J	J	J	J	J	PS	PS	PS	PS	PS	PS	PS	PS	PS	PS
24S + 10P		K	K	K	K	K	K										
		N	N	N	N	N	N										
		S	S	S	S	S	S										

PART NUMBER	ROWS	SIGNAL						POWER									
		1	2	3	4	5	6	P1	P2	P3	P4	P5	P6	P7	P8	P9	P10
6600120-8	D C B A	J	J	J	J	J	J	PS	PS	PS	PS	PS	PS	PS	PS	PS	PS
24S + 10P		K	K	K	K	F	K										
		N	N	N	N	G	N										
		H	S	S	S	S	S										



6600120-3 & 6600120-8 PCB LAYOUT

E	MLBF	.135	D
F	MLBF	.135	C
G	MLBF	.135	B
H	MLBF	.135	A
J	STD	.135	D
K	STD	.135	C
N	STD	.135	B
S	STD	.135	A
CODE	MATING SEQUENCE	TAIL LENGTH	ROW

PS	.135
CODE	TAIL LENGTH
POWER CONTACT	
SIGNAL CONTACT	

THIS DRAWING IS A CONTROLLED DOCUMENT.

DIMENSIONS: INCHES

TOLERANCES UNLESS OTHERWISE SPECIFIED:

0 PLC	±
1 PLC	±
2 PLC	±.01
3 PLC	±.005
4 PLC	±.0020
ANGLES	±2°

MATERIAL: FINISH:

DWN: R. GRZYBOWSKI 13JUN05
 CHN: M. PERCHERKE 13JUN05
 APVD: M. PERCHERKE
 PRODUCT SPEC: 108-1973
 APPLICATION SPEC: 114-13038
 WEIGHT: -

NAME: RIGHT ANGLE HEADER ASSEMBLY W/GUIDES DUAL BEAM XL
 SIZE: A1
 CAGE CODE: 100779
 DRAWING NO: C=6600120
 RESTRICTED TO: -

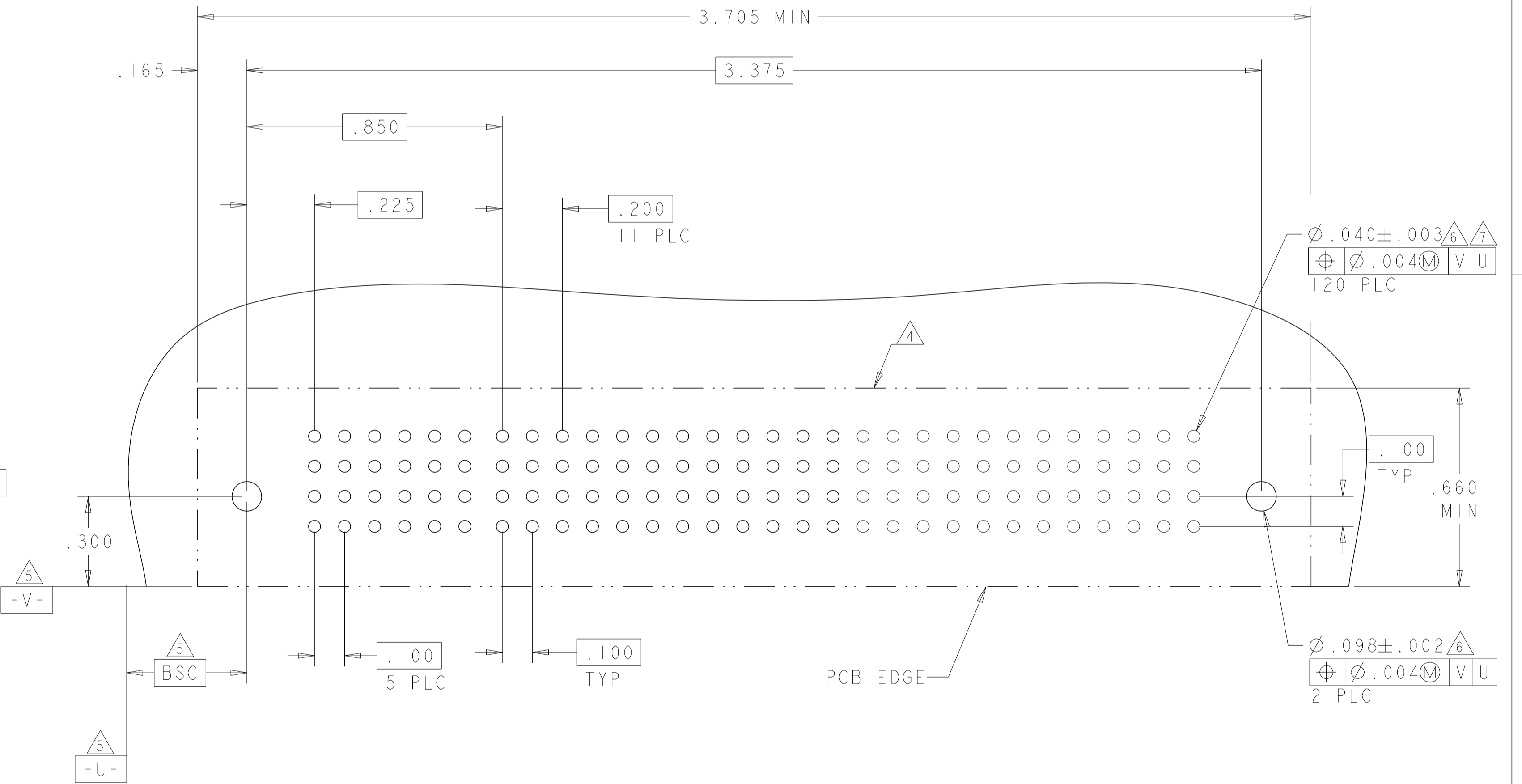
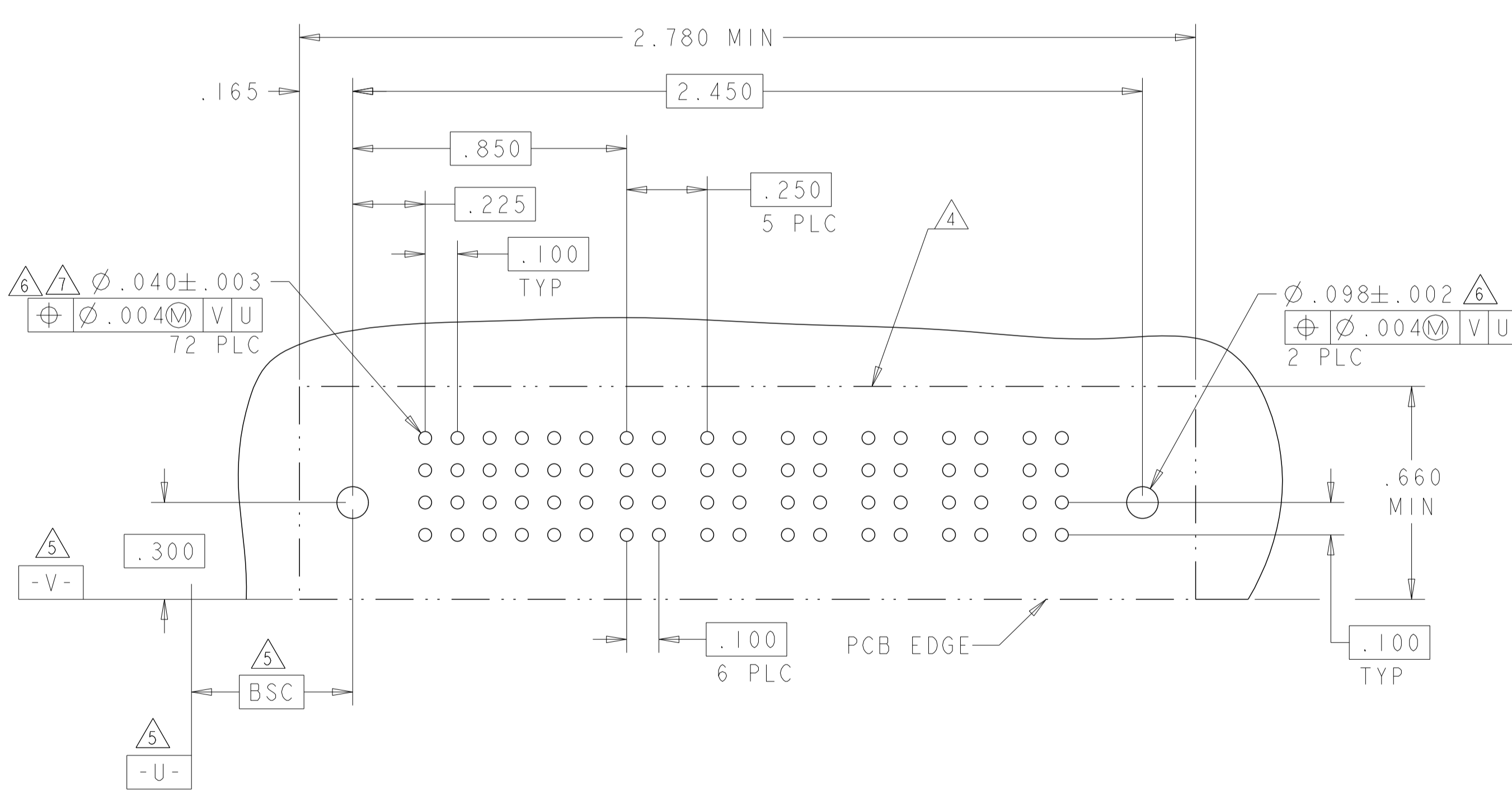
CUSTOMER DRAWING SCALE: 4:1 SHEET 3 OF 5 REV D

LOC	DIST	REVISIONS			
P	LTR	DESCRIPTION	DATE	DWN	APVD
-	-	SEE SHEET 1	-	-	-

PART NUMBER	ROWS	SIGNAL						POWER					
		1	2	3	4	5	6	P1	P2	P3	P4	P5	P6
6600120-9	D C B A	J	J	J	J	J	J	PS	PS	PS	PS	PS	PS
		K	K	K	K	F	K						
		N	N	N	N	G	N						
		H	S	S	S	H	S						
24S + 6P													

PART NUMBER	ROWS	SIGNAL						POWER												
		1	2	3	4	5	6	P1	P2	P3	P4	P5	P6	P7	P8	P9	P10	P11	P12	
1-6600120-0	D C B A	J	J	J	J	J	E	PS	PS	PS	PS	PS	PS	PS	PS	PS	PS	PS	PS	PS
		K	K	K	F	K	K													
		N	N	N	G	N	N													
		S	H	S	H	S	S													
24S + 12HDP																				

PART NUMBER	ROWS	SIGNAL						POWER					
		1	2	3	4	5	6	P1	P2	P3	P4	P5	P6
1-6600120-1	D C B A	J	J	J	J	J	J	PS	PS	PS	PS	PS	PS
		K	K	K	K	K	K						
		N	N	N	G	N	N						
		S	S	S	S	S	S						
24S + 6P													



6450120-9 AND 1-6600120-1 PCB LAYOUT

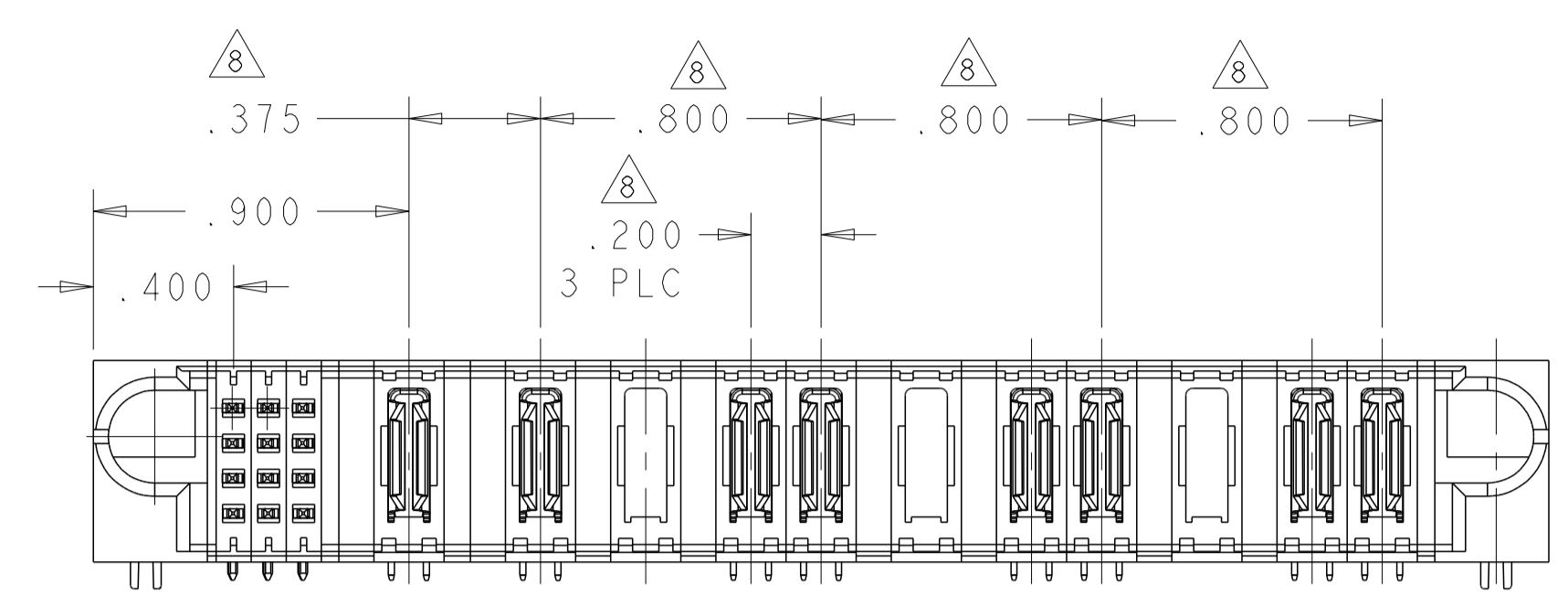
THIS DRAWING IS A CONTROLLED DOCUMENT. DWN R. GBZYBOWSKI 13JUN05
 CHN M. PERCHERKE 13JUN05

STE TE Connectivity

DIMENSIONS: INCHES 	TOLERANCES UNLESS OTHERWISE SPECIFIED: 0 PLC ± 1 PLC ± 2 PLC ±.01 3 PLC ±.005 4 PLC ±.0020 ANGLES ±2°	PRODUCT SPEC 108-1973 APPLICATION SPEC 114-13038	NAME RIGHT ANGLE HEADER ASSEMBLY W/GUIDES DUAL BEAM XL
MATERIAL	FINISH	WEIGHT	RESTRICTED TO

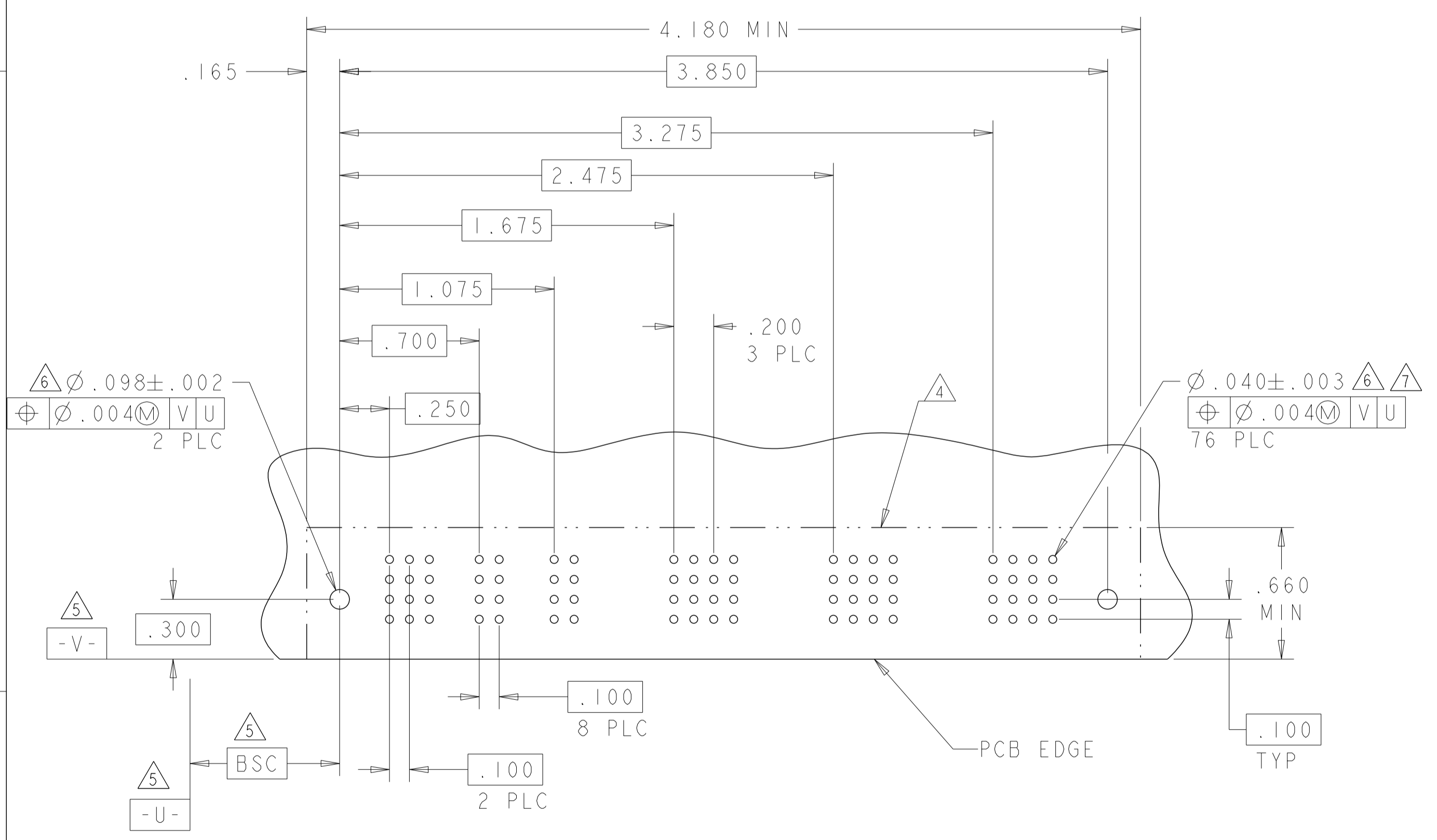
CUSTOMER DRAWING SCALE 4:1 SHEET 4 OF 5 REV D

LOC	DIST	REVISIONS					
		P	LTR	DESCRIPTION	DATE	DWN	APVD
		-	-	SEE SHEET 1			



PART NUMBER	ROWS	SIGNAL	POWER										
			P1	P2	P3	P4	P5	P6	P7	P8	P9	P10	P11
6600120-1	D C B A	J J J	PS	PS	PS	PS	PS	PS	PS	PS	PS	PS	PS
		K K K											
		N N N											
		S S S											
12S + 11P													

NO CONTACTS LOADED



THIS DRAWING IS A CONTROLLED DOCUMENT.		DWN R. GBZYBOWSKI	13JUN05	 TE Connectivity
DIMENSIONS: INCHES		CHK M. PERCHERKE	13JUN05	
TOLERANCES UNLESS OTHERWISE SPECIFIED: 0 PLC ± 1 PLC ± 2 PLC ±.01 3 PLC ±.05 4 PLC ±.020 ANGLES ±2°		APVD M. PERCHERKE		NAME RIGHT ANGLE HEADER ASSEMBLY W/GUIDES DUAL BEAM XL
MATERIAL		PRODUCT SPEC 108-1973		SIZE 114-13038
FINISH		APPLICATION SPEC 114-13038		RESTRICTED TO
		WEIGHT		A100779 C=6600120
		CUSTOMER DRAWING		SCALE 4:1 SHEET 5 OF 5 REV D1