

Thermofit Molded Parts Specification Control Drawing

Part Number : 522A013
Description : Boot, 90°, Four Entry

NOTES

- All dimensions are in $\frac{\text{inches}}{\text{[millimeters]}}$ $\frac{\text{lbs}}{\text{[grams]}}$
- Dimensions appearing in table are as follows:
a - As Supplied
b - After Unrestricted Recovery
- Coating is optional. As supplied dimensions appearing in table are for uncoated parts. When coating is added, entry diameters will be reduced by .06 max.
- Molding ports are optional. When -00 modification number is specified molding ports will be located as shown.
- Weight shown in table of dimensions is based on polyolefin part.

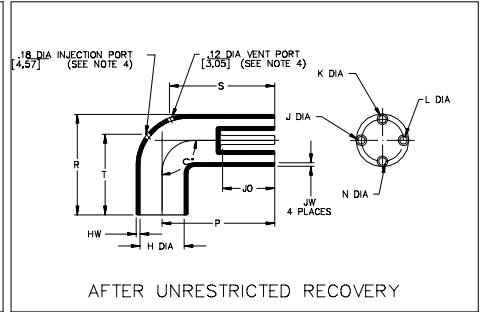
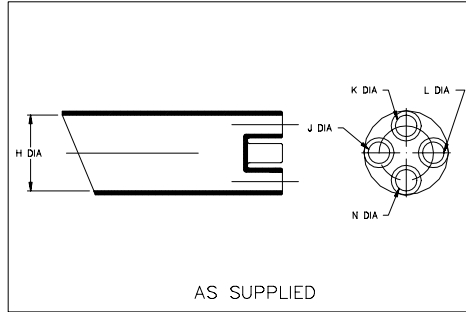


TABLE OF DIMENSIONS

PART NUMBER	H		J,K,L & N		P	R	JO	HW	JW	S	T	C	Weight	This Boot Fits MIL-C-26482 Shell Size
	Min a	Max b	Min a	Max b	±10% b	±10% b	±10% b	±20% b	±20% b	±10% b	±10% b	±5° b	Nom b	
522A013	1.00 [25,4]	.87 [22,1]	.29 [7,4]	.16 [4,1]	2.05 [52,1]	1.50 [38,1]	.92 [23,4]	.06 [1,5]	.05 [1,3]	1.62 [41,1]	1.22 [31,0]	90°	.019 [8,6]	14

Raychem

RAYCHEM CORPORATION
300 CONSTITUTION DRIVE
MENLO PARK, CALIFORNIA 94025
(415) 361-6055

Revision : B
Date : 06/27/91

Part Number : 522A013
Description : Boot, 90°, Four Entry

Thermofit Molded Parts Specification Control Drawing

Part Number : 522A013
Description : Boot, 90°, Four Entry

COMPATABILITY CHART					
MATERIAL DASH NO.	MATERIAL DESCRIPTION	RT SPEC	COATING SLASH NO.	COATING S NO.	COATING DESCRIPTION
-3	Polyolefin, Semi-rigid	RT-301	N/A		
-12	*VITON, Flexible	RT-1312	N/A		

*VITON is a Registered Trademark of Dupont

ORDERING INFORMATION

522A013 -XX -XX /XXX

Base part number _____

Material dash number _____
(See Compatability Chart)

Modification number _____
(If necessary, see front of scd binder for a complete list)

Adhesive slash number _____
(If necessary, see Compatability Chart)

THIS DRAWING IS SUBJECT TO CHANGE WITHOUT NOTICE; CONSULT YOUR NEAREST FIELD REPRESENTATIVE FOR CURRENT REVISION

Raychem

If this document is printed it becomes uncontrolled.
Check for the latest revision.

RAYCHEM CORPORATION
300 CONSTITUTION DRIVE
MENLO PARK, CALIFORNIA 94025
(415) 361-6055

Revision : B
Date : 06/27/91

Part Number : 522A013
Description : Boot, 90°, Four Entry

CAD FILE MP91159