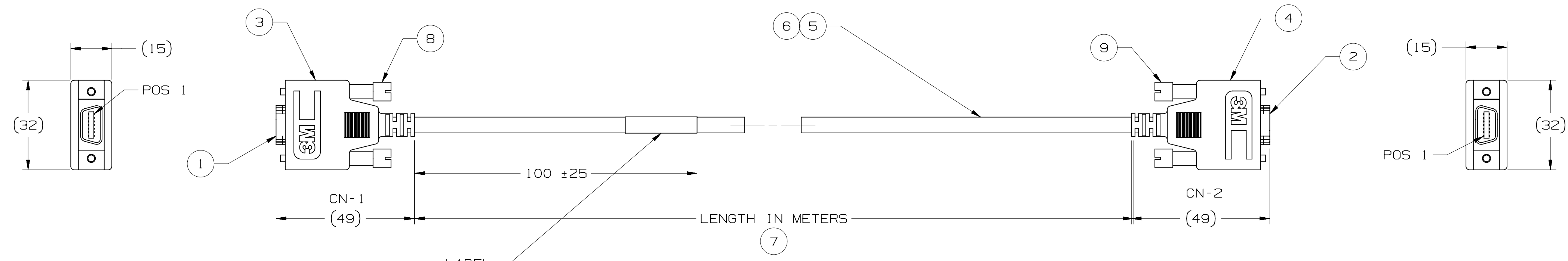


ITEM NO.	N/A	1	2	3	4	5	6	7	8	9	10
ITEM	ASSY TYPE	CN-1 CONN	CN-2 CONN	CN-1 SHELL	CN-2 SHELL	COND QTY	CABLE TYPE	LENGTH	CN-1 HARDWARE	CN-2 HARDWARE	PINOUT
CODE	R	M1	M1	R6	R6	014	362	XX.XX	4	4	P1
DESCRIPTION	UTP ROUND CABLE ASSY	14 POS MDR	36 POS MDR	OVERMOLD PVC	OVERMOLD PVC	14 COND	3600B/14	METERS	4-40 THUMBSCREW	4-40 THUMBSCREW	STD
MODEL		10114-6000EC	10114-6000EC				3600B/14				
TECH DATA SHEET		TS-0423	TS-0423				TS-0388				



LABEL CONTENTS	
CATALOG CODE	R M1M1-R6R6-014-362-XX.XX-44-P1
PART NUMBER	XX-XXXX-XXXX-X
DATE CODE	YY MM DD GX

ASSY LENGTH	LENGTH TOLERANCE
0.15 TO 1.5 METERS	-0/+0.05 METERS
GREATER THAN 1.5 METERS	-0/+3 PERCENT

10

P1 PINOUT (STANDARD)					
CN-1 PIN	PAIR	CONDUCTOR	SOLID COLOR	BAND COLOR	CN-2 PIN
1	1	1	BLACK	RED	1
8	1	2	RED	BLACK	8
2	2	3	BLACK	WHITE	2
9	2	4	WHITE	BLACK	9
3	3	5	BLACK	GREEN	3
10	3	6	GREEN	BLACK	10
4	4	7	BLACK	BLUE	4
11	4	8	BLUE	BLACK	11
5	5	9	BLACK	YELLOW	5
12	5	10	YELLOW	BLACK	12
6	6	11	BLACK	BROWN	6
13	6	12	BROWN	BLACK	13
7	7	13	BLACK	ORANGE	7
14	7	14	ORANGE	BLACK	14

NOTES:

- SEE COMPONENT TECH DATA SHEETS FOR PHYSICAL AND ELECTRICAL SPECIFICATIONS
- RoHS COMPLIANT:
THE PRODUCT OR PART DOES NOT CONTAIN ANY OF THE FOLLOWING SUBSTANCES IN EXCESS OF THE FOLLOWING MAXIMUM CONCENTRATION VALUES IN ANY HOMOGENEOUS MATERIAL, UNLESS THE SUBSTANCE IS IN AN APPLICATION THAT IS EXEMPT UNDER RoHS: (a) 0.1% (BY WEIGHT) FOR LEAD, MERCURY, HEXAVALENT CHROMIUM, POLYBROMINATED BIPHENYLS OR POLYBROMINATED DIPHENYL ETHERS; OR (b) 0.01% (BY WEIGHT) FOR CADMIUM, UNLESS OTHERWISE STATED BY 3M IN WRITING, THIS INFORMATION REPRESENTS 3M'S KNOWLEDGE AND BELIEF BASED UPON INFORMATION PROVIDED BY THIRD PARTY SUPPLIERS TO 3M.

DESIGN REFERENCE	NEXT ASSEMBLY	REV	ECO	ISSUE DATE AND DESCRIPTION	DRFT	CHKD
				MAR 31, 2015		
DIVISION		DIVISION CODE		DATE		
Electronic Solutions		ESD		MAR 31, 2015		
DO NOT SCALE DRAWING	SCALE 1/1	TOLERANCES EXCEPT AS NOTED		DATE		
		INCHES		DATE		
		MILLIMETERS		DATE		
		0 ± .1		DATE		
		.00 ± .05		DATE		
		.000 ± .005		DATE		
		ANGLES ± 1°		DATE		
THIRD ANGLE PROJECTION		MILLIMETERS		DATE		
INTERPRET PER ASME Y14.5 - 2009		0 ± .1		DATE		
MAX SURFACE ROUGHNESS		.00 ± .05		DATE		
125		.000 ± .005		DATE		
ALL SURFACES		.000 ± .005		DATE		
MARKED ONLY		.000 ± .005		DATE		
		ANGLES ± 1°		DATE		

A	60782	MAR 31, 2015	DC	RD
NEW RELEASE				
REV	ECO	ISSUE DATE AND DESCRIPTION	DRFT	CHKD
		MAR 31, 2015		
D. CRONCH		DATE		
CHKD		DATE		
APPL		DATE		

© 3M COPYRIGHT 2015	
This document and the information it contains are 3M property and may not be reproduced or further distributed without 3M permission, or used or disclosed other than for 3M authorized purposes. All rights reserved.	
3M Center St. Paul, MN 55144	
TITLE	
SALES DWG - CABLE ASSY	
RM1M1R6R6014362XX44P1	
CAGE NUMBER	SIZE DRAWING NO. REV.
D78-9102-2562-8	A
MODEL	DATE
	1 OF 1

78-9102-2562-8
 DRAWING NUMBER
 A
 REVISION
 A.1 3/31/2015 11:57 PM UTC-05:00
 Imaged: A.1 3/31/2015 11:57 PM UTC-05:00