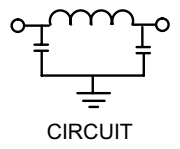
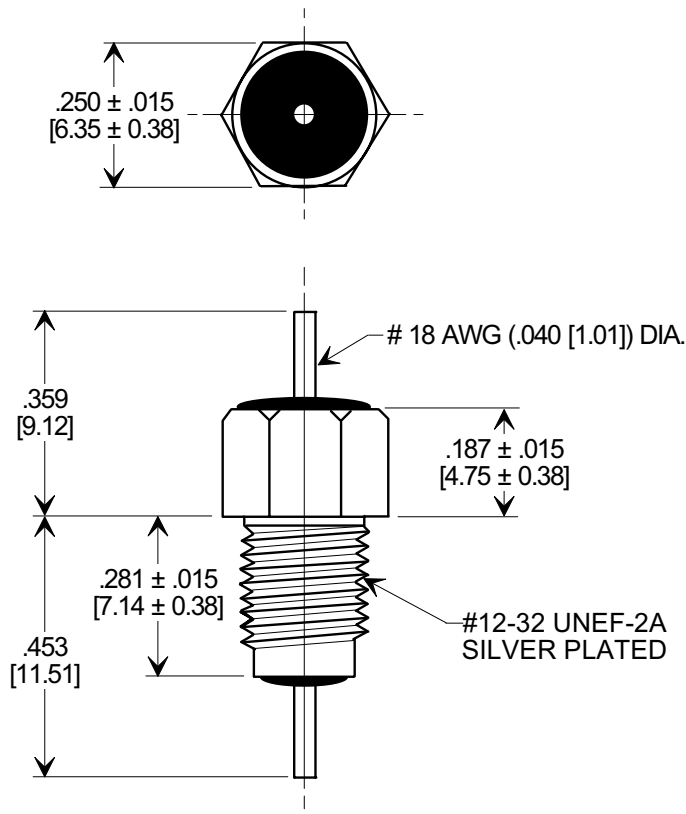
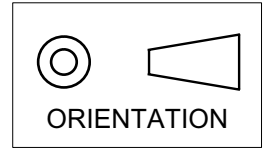


# MARKETING SALES DRAWING

**DIMENSIONS IN INCHES - DO NOT SCALE THIS DRAWING**  
**DIMENSIONS IN METRIC - [ ]**

Electrical Testing  
 per Tusonix standard  
 test plans and Mil-Std-202  
 Test Methods.



**NOTES:**

1. TUSONIX STANDARD PART NUMBER: 4202-004.  
 TUSONIX RoHS COMPLIANT PART NUMBER: 4202-004 LF.  
 CUSTOMER MUST SPECIFY STANDARD OR RoHS PART NUMBER WHEN ORDERING.
2. LEAD FINISH: STANDARD PART NO.: 60/40 SOLDER PLATED.  
 RoHS PART NO.: SILVER PLATED.
3. PART MARKING: STANDARD BLACK INK FOR VARIATION AND DATE CODE. RoHS PART: GREEN FOR VARIATION AND DATE CODE.
4. SUPPLIED WITH SILVER PLATED MOUNTING HEX NUT AND LOCK WASHER.

GMV CAP. (pF)	WORKING VOLTAGE (VDC)		CURRENT (Idc)	I.R. MIN. @ 100 (VDC.)	DWV (VDC)	MINIMUM NO LOAD INSERTION LOSS (dB) AT 25°C PER MIL-STD -220			
	85°C	125 °C				10 MHz	100 MHz	1 GHz	10 GHz
2500	500	350	15A	10 G Ω	1200	5	50	70	70

X-2015 Rev-0 <b>REVISION RECORD</b>	<b>0</b>	Original Release C.O.	4202-004S WAS SK 6764-000 S L.E. 01-13-84
	<b>1</b>	C.O. 1965	WORKING VOLTAGE REV'D -85 WAS -55 & 350 ADDED L.E. 3-3-91
	<b>2</b>	C.O. 5800	RDN TO COMP FMT & METRIC ADDED L.E. 08-31-01
	<b>3</b>	20010830-1-01	ADDED NOTES 1-3, DWV & IR. S.M. 04-12-05
	<b>4</b>	20050407-6-02	
		--TOLERANCES-- Unless Otherwise Specified	
		DECIMAL ± .031 [0.79]	
		ANGLES ±	
		Title <h2 style="text-align: center;">BUSHING STYLE EMI FILTER</h2>	
		Drawn L.E. 08-30-01	Scale 3 X
		Approved T.C. 08-30-01	
		<b>TUSONIX</b> TUCSON, ARIZONA	<b>A</b>
		<b>4202-004</b>	