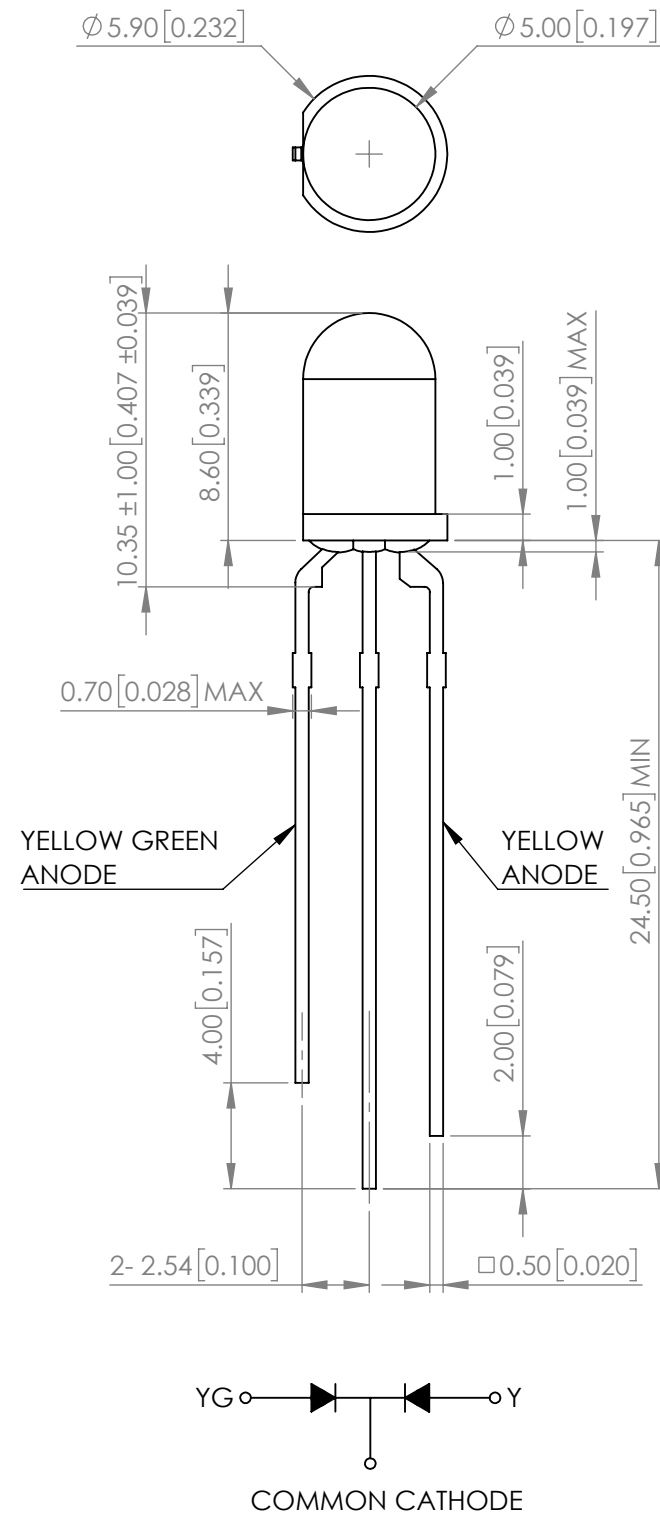


<b>PART NUMBER</b>	SSL-LX5099YGW	<b>REV</b>	H
<b>REV</b>	<b>E.C.N. NUMBER AND REVISION COMMENTS</b>	<b>DATE</b>	
A	UPDATED SAFE OPER. SPEC.	08.31.95	
B	UPDATED SPECS	06.17.20	
C	UPDATED SPECS	06.17.20	
D	CORRECRED DIMS. WHERE NOTED.	06.17.20	
E	E.C.N.#10BRDR & REDRAWN	06.17.20	
F	E.C.N.#11148	06.17.20	
G	E.C.N.#11695	06.17.20	
H	ECN-Lumex202300081	06.17.20	



**ELECTRO-OPTICAL CHARACTERISTIC TA=25°C**

PARAMETER		MIN	TYP	MAX	UNITS	TEST COND
PEAK WAVELENGTH	Y	-	590	-	nm	If=20mA
	YG	-	565	-		
FORWARD VOLTAGE	Y	-	2.1	2.5	Vf	If=20mA
	YG	-	2.2	2.5		
REVERSE CURRENT	Y	-	-	10	uA	VR=5V
	YG	-	-	10		
LUMINOUS INTENSITY	Y	-	40	-	mcd	If=20mA
	YG	-	60	-		
VIEWING ANGLE		-	30	-	2x theta1/2	-
EMITTED COLOR	YELLOW / YELLOW GREEN BICOLOR					
EPOXY LENS FINISH	WHITE DIFFUSED					

**ABSOLUTE MAXIMUM RATINGS TA=25°C**

PARAMETER	MAX	UNITS
PEAK FORWARD CURRENT(Y/YG)*	140/140	mA
FORWARD CURRENT(Y/YG)	30/25	mA
REVERSE VOLTAGE(Y/YG)	5/5	V
POWER DISSIPATION(Y/YG)	75/63	mW
STORAGE TEMPERATURE	-40 TO +85	°C
OPERATING TEMPERATURE	-40 TO +85	°C
LEAD SOLDER TEMPERATURE**	3SEC MAX @260	°C

\*1/10 Duty Cycle, 0.1ms Pulse Width

\*\*2mm FROM BODY

STATIC DEVICE FOLLOW PROPER E.S.D. HANDLING PROCEDURES WHEN WORKING WITH THIS PART

\*UNLESS OTHERWISE SPECIFIED TOLERANCES PER DECIMAL PRECISION ARE: X=±1 (±0.039), X.X=±0.5 (±0.020), X.XX=±0.25 (±0.010), X.XXX=±0.127 (±0.005). LEAD SIZE=±0.05 (±0.002), LEAD LENGTH=±0.75 (±0.030). MIN= <sup>+DECIMAL PRECISION</sup>/<sub>-0.00</sub> MAX= <sup>+0.00</sup>/<sub>-DECIMAL PRECISION</sub>