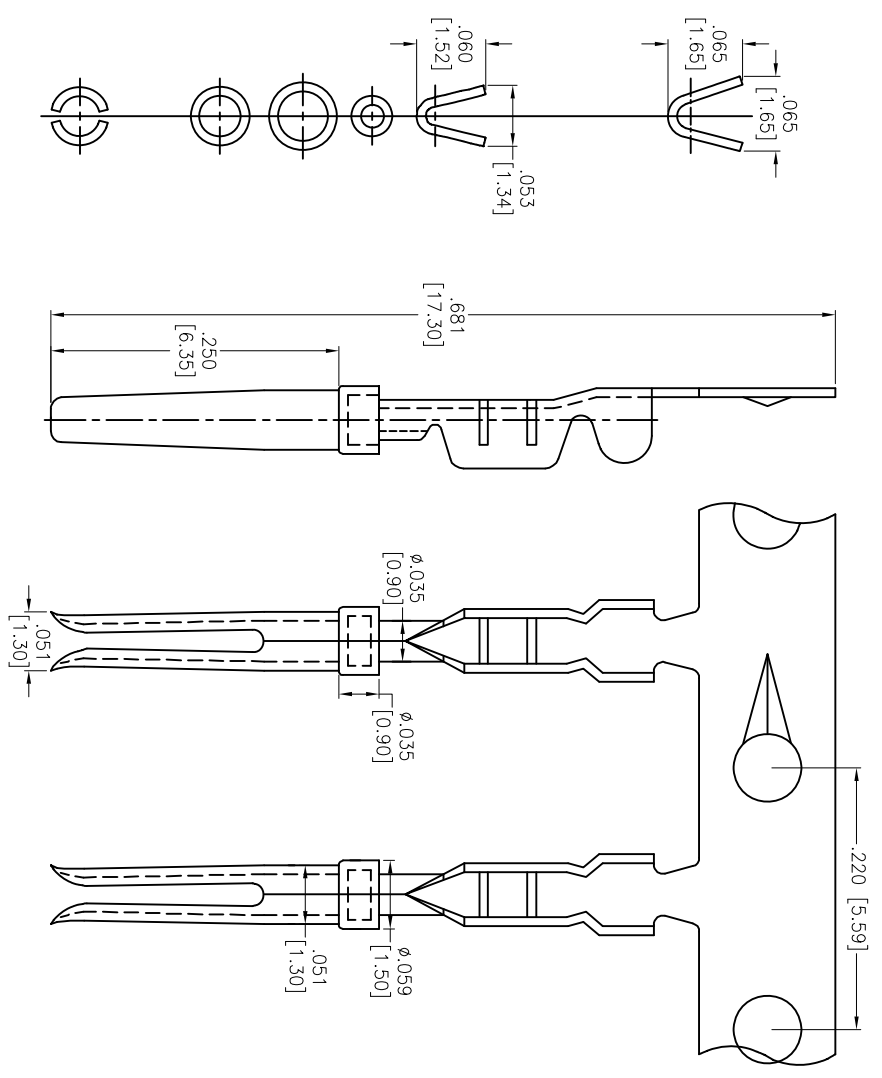


APPROVED: _____
 DATE: _____ TITLE: _____

Rev	AWO #	Description	Date	Appr
-		RELEASED	1/11/05	
A		REDRAWN	08/15/13	



SPECIFICATIONS:
 Material: _____
 Contact: Brass
 Plating: _____
 Gold flash over Nickel underplate
 Electrical:
 Operating voltage: 250 VAC max
 Current rating: 5 Amps max
 Contact resistance: 20 mohms max initial
 Mechanical:
 Recommended wire range: 24-26 AWG
 Temperature Rating:
 Operating temperature: -65°C to +125°C
 Packaging:
 B = loose cut
 R = tape and reel
 Environmental:
 Lead free, RoHS compliant

UNLESS OTHERWISE SPECIFIED
 ALL DIMENSIONS ARE INCHES [MM]
 TOLERANCES: EXCEPT AS NOTED

INCHES	HOLES
.X ± .10	Ø.X ± .10
.XX ± .020	Ø.XXX ± .015
.XXX ± .015	Ø.XXX ± .010

APPROVALS: _____ DATE: _____

DRAWN: SS 1/11/05
 CHECKED: _____
 APPROVED: _____

ADAM TECH
 909 Rahway Avenue, Union, NJ 07083
 Phone: 908-687-5000 Fax: 908-687-5710

HIGH DENSITY D-SUB SOCKET CONTACT
 24-26 AWG

TITLE: _____
 SIZE: _____ PART NO.: _____
 REF: S00087T SCALE: NTS SHEET 1 OF 1

REV. A



6 5 4 3 2 1