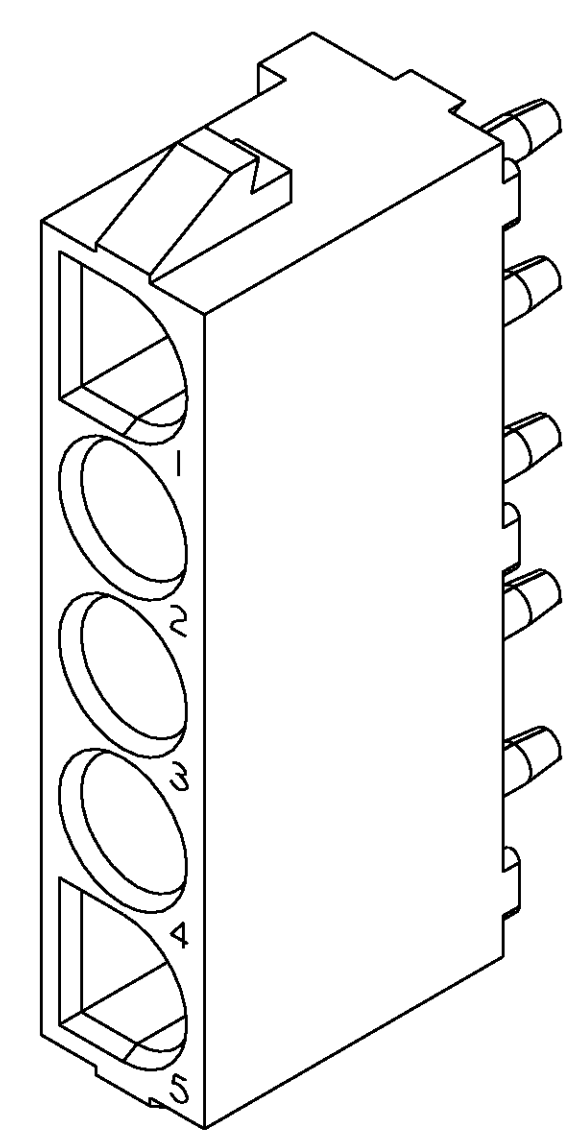
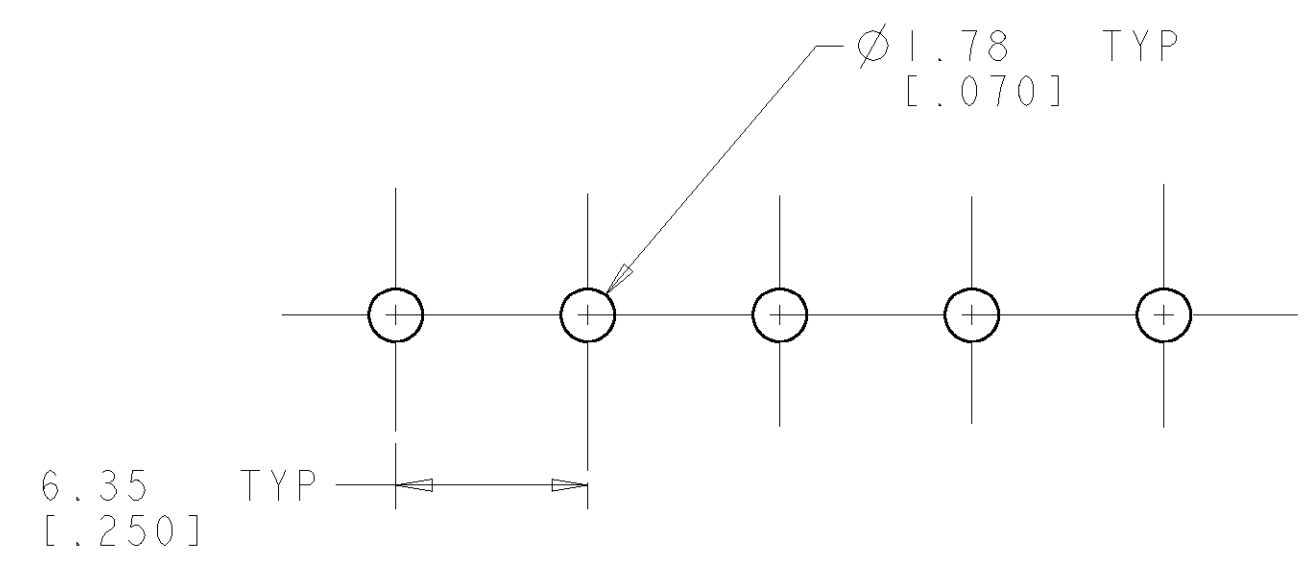
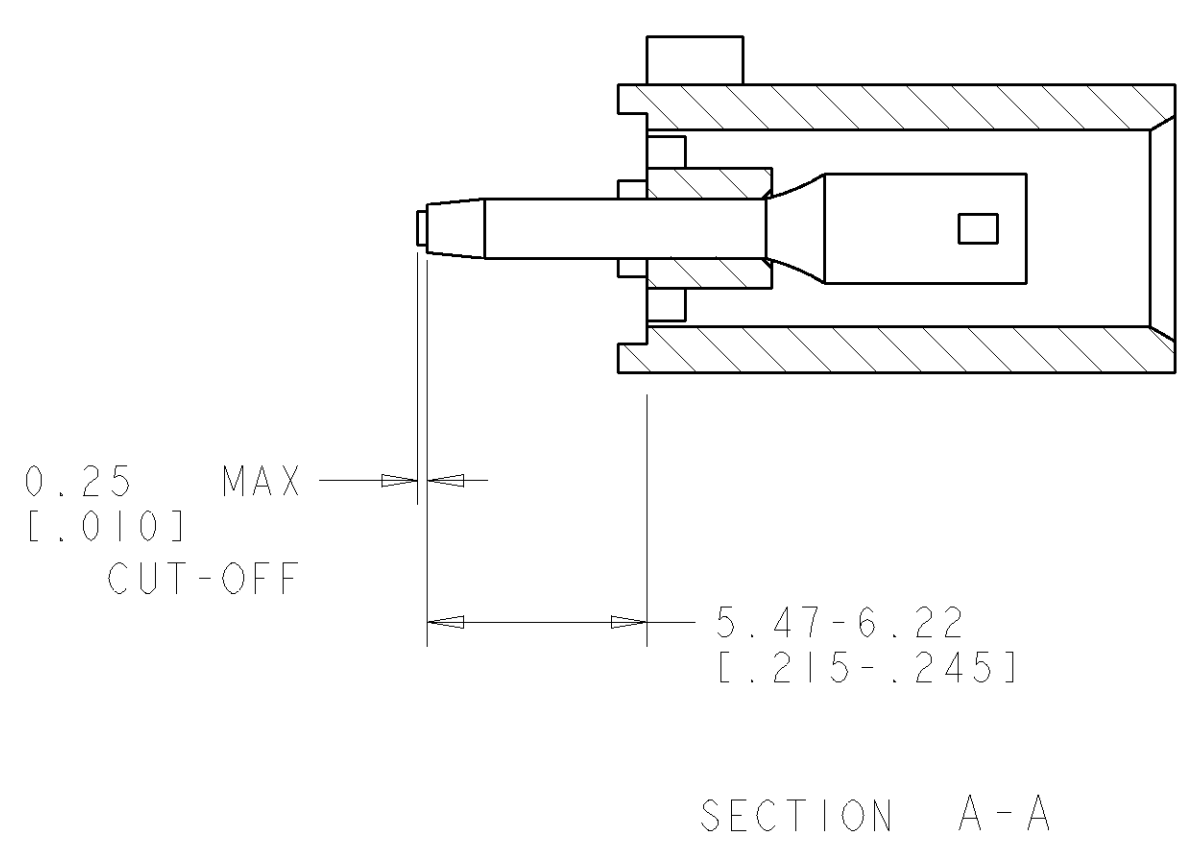
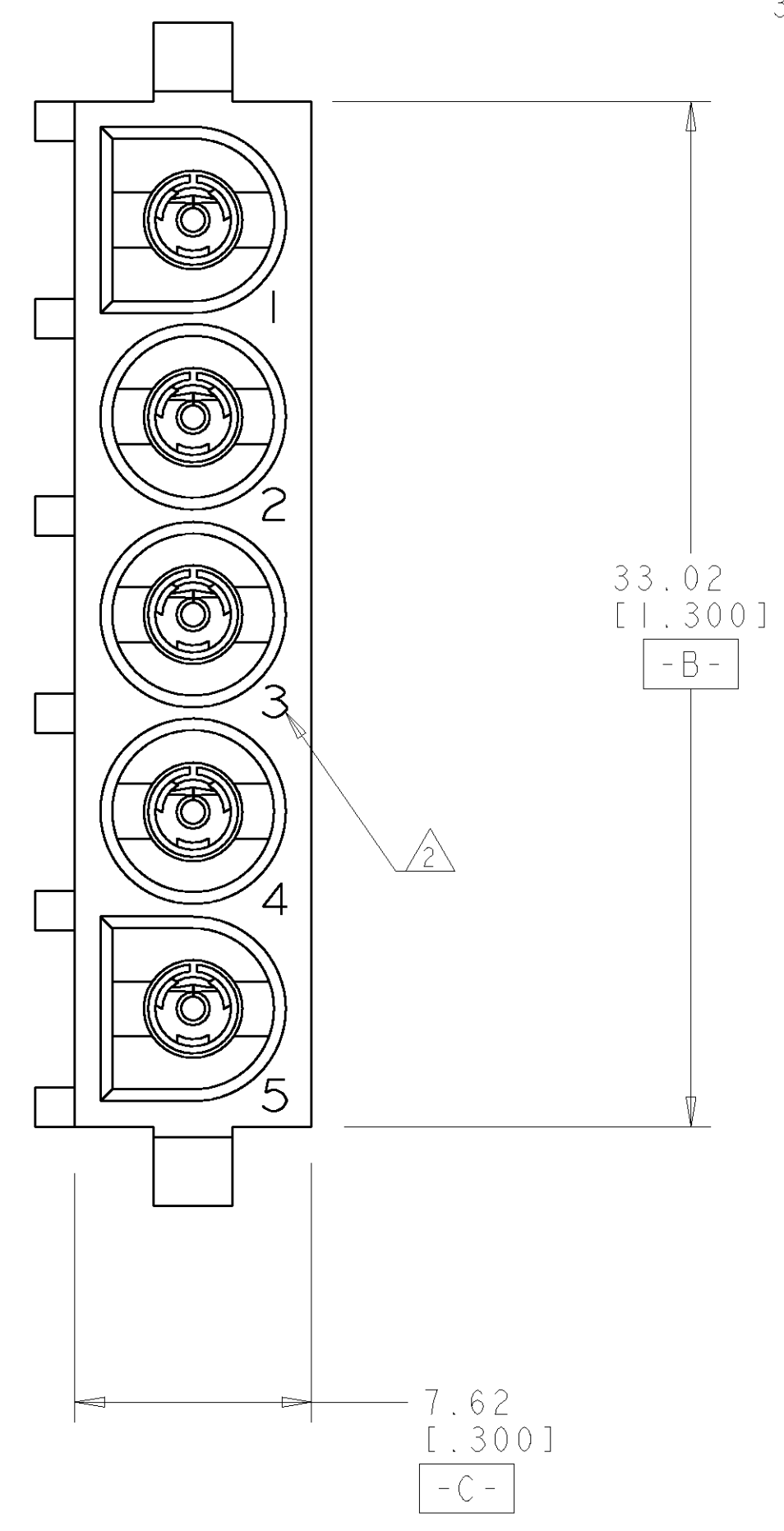
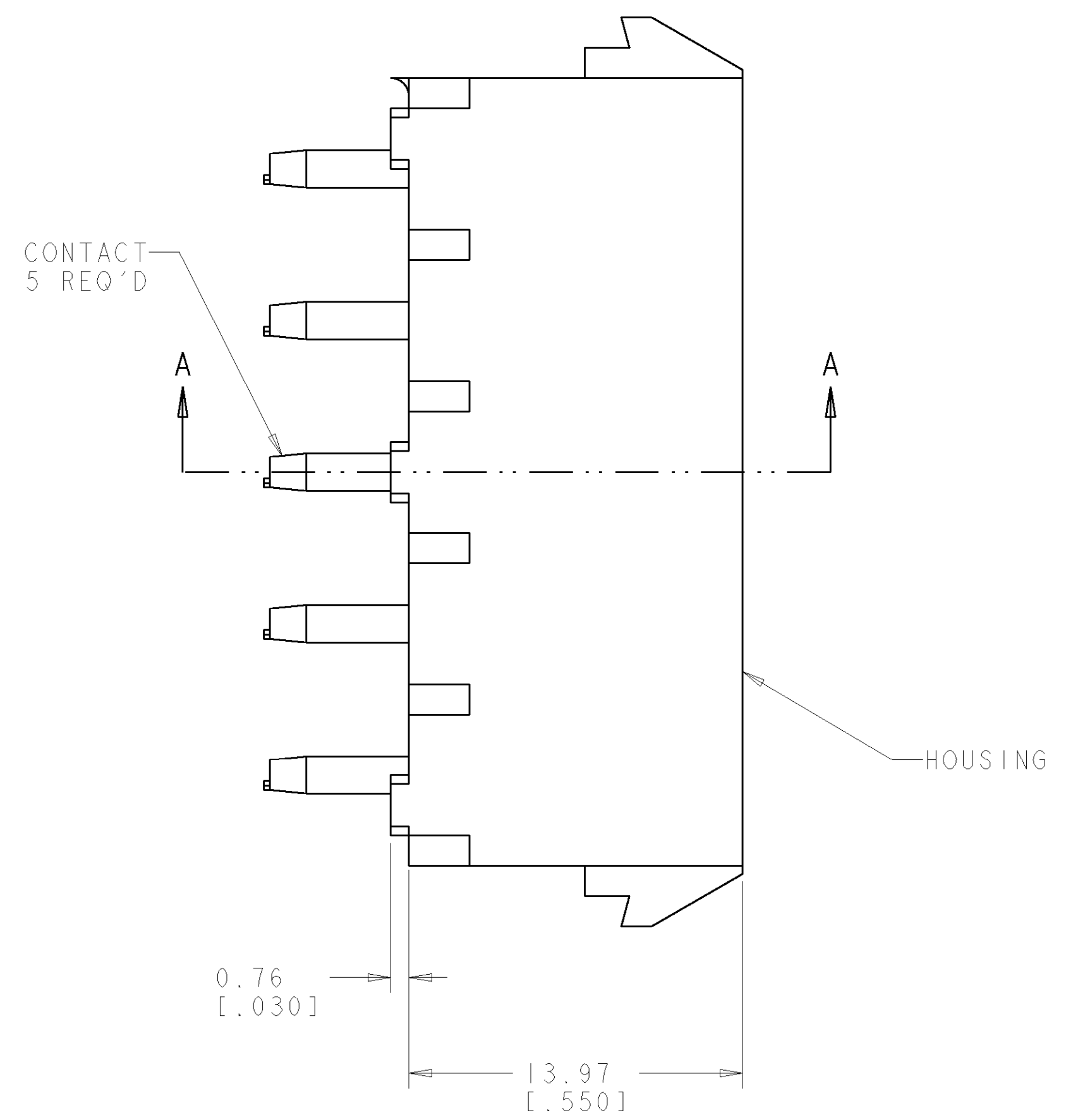
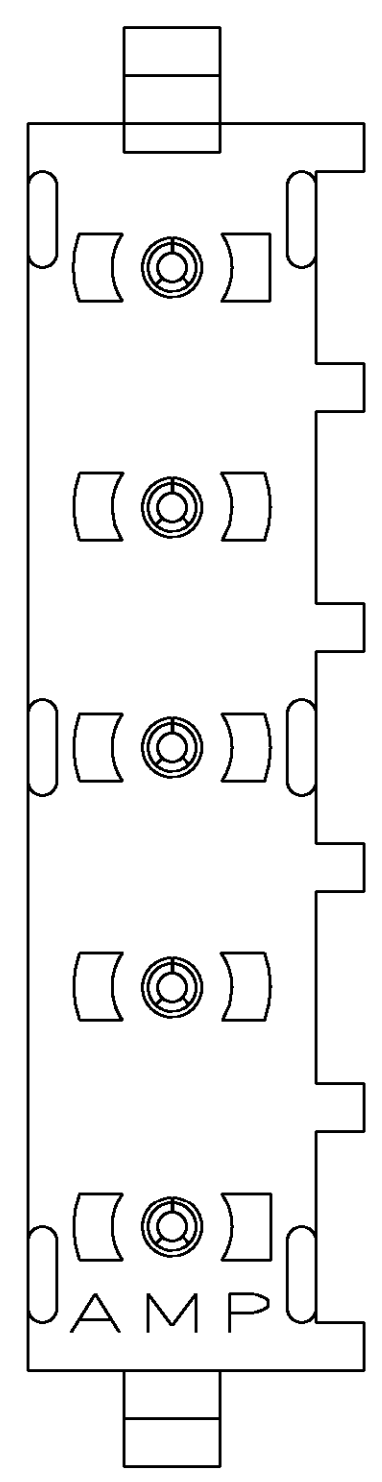


LOC		DIST		REVISIONS			
CM	00	P	LTR	DESCRIPTION	DATE	DWN	APVD
		0		REVISED PER 0638-0778-03	06-JAN-03	KW	SR

- PARTS COMPLY TO AMP SOLDERABILITY SPECIFICATION 109-11-3.
- CIRCUIT IDENTIFICATION CHARACTERS ARE ADJACENT TO THE INDICATED CAVITIES, BUT LOCATION AND ORIENTATION MAY DIFFER FROM PRINT.
- DIMENSIONS IN BRACKETS ARE IN INCHES.



3 DIMENSIONAL MODEL
SCALE 4:1

PHOSPOR BRONZE, PRE-TIN PIN CONTACT MATERIAL AND FINISH		NYLON, UL94V-0, WHITE HOUSING MATERIAL AND COLOR		1586358-1 PART NUMBER
DIMENSIONS: mm [INCHES]		TOLERANCES UNLESS OTHERWISE SPECIFIED: 0 PLC ± 1 PLC ± 2 PLC ±0.13(.005) 3 PLC ± 4 PLC ± ANGLES ±40°		FINISH SEE TABLE
MATERIAL SEE TABLE		FINISH SEE TABLE		DWN R. WHITAKER 06-JAN-03 ENK S. RIDGILL 06-JAN-03 APVD S. RIDGILL 06-JAN-03 NAME PRODUCT SPEC APPLICATION SPEC WEIGHT CUSTOMER DRAWING
Tyco Electronics Harrisburg, PA 17105-3608		Tyco Electronics Harrisburg, PA 17105-3608		SOCKET HEADER ASSEMBLY, 5 CIRCUIT, UNIVERSAL MATE-N-LOK™
SCALE 5:1		SHEET 1 OF 1		REV 0

