

**SPECIFICATION**

产品规格书

**CUSTOMER** : \_\_\_\_\_

(客户)

**PART NO.** : \_\_\_\_\_

(产品型号)

**SPEC NO.** : \_\_\_\_\_

(规格书编号)

**DATE** : \_\_\_\_\_

(日期)



**FOR AFFIRM**

(供方确认)

FOR AFFIRM		
(供方确认)		
AFFIRM	CHECKED	PREPARED
(核准)	(审核)	(制定)
		刘小龙

**Light color : Red 、 Green 、 Blue**
**Absolute maximum rating ( Ta=25°C )**

- Operating/Storage temperature range : -30°C~ +85°C
- Derating linear from 25°C : 0.4 mA/°C
- Lead soldering temperature range : 260°C for 3 second
- Colloid Color:White Clear
- Life Test:20,000~50,000hours

**Electro-optical characteristics ( TA=25°C )**
**RED COLOR :**

Parameter	Symbol	Min	Typ.	Max	Unit	Test Condition
Forward voltage	<b>V<sub>F</sub></b>	❖	2.00	2.25	V	<b>IF=20 mA</b>
Luminous intensity	<b>I<sub>v</sub></b>	❖	1000	1200	mcd	<b>IF=20 mA</b>
Peak emission wavelength	$\lambda_p$	❖	620	630	nm	❖
Half intensity angle	$\Delta\theta$	❖	25	❖	deg	❖

**GREEN COLOR :**

Parameter	Symbol	Min	Typ.	Max	Unit	Test Condition
Forward voltage	<b>V<sub>F</sub></b>	❖	3.5	5	V	<b>IF=20 mA</b>
Luminous intensity	<b>I<sub>v</sub></b>	❖	1500	2000	mcd	<b>IF=20 mA</b>
Peak emission wavelength	$\lambda_p$	❖	515	525	nm	❖
Half intensity angle	$\Delta\theta$	❖	25	❖	deg	❖

**BLUE COLOR :**

Parameter	Symbol	Min	Typ.	Max	Unit	Test Condition
Forward voltage	<b>V<sub>F</sub></b>	❖	3.5	5	V	<b>IF=20 mA</b>
Luminous intensity	<b>I<sub>v</sub></b>	❖	1200	1500	mcd	<b>IF=20 mA</b>
Peak emission wavelength	$\lambda_p$	❖	460	470	nm	❖
Half intensity angle	$\Delta\theta$	❖	25	❖	deg	❖

**Direct Current Characteristics**

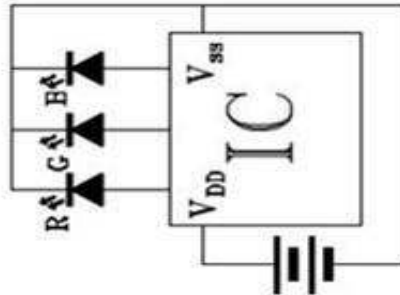
Parameter	Symbol	Min	Typ.	Max	Unit	Remarks
Operating voltage	<b>V<sub>DD</sub></b>	2.0	4.5	5.0	V	❖
Driver Current	<b>I<sub>ol</sub></b>	❖	50	❖	mA	@V <sub>DS</sub> =1.2V
Power Consumption	<b>P<sub>o</sub></b>	❖	225	❖	mW	V <sub>DD</sub> =4.5V
Flash Frequency	<b>F<sub>tet</sub></b>	❖	0.2	❖	Hz	External ± 30%

\*All specs and applications shown above subject to change without prior notice.

(以上电路及规格仅供参考，本公司可进行修正)

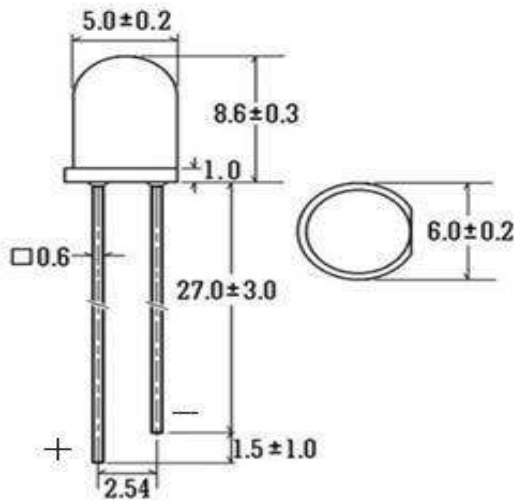
### Application diagram and Dimensions

Application Diagram

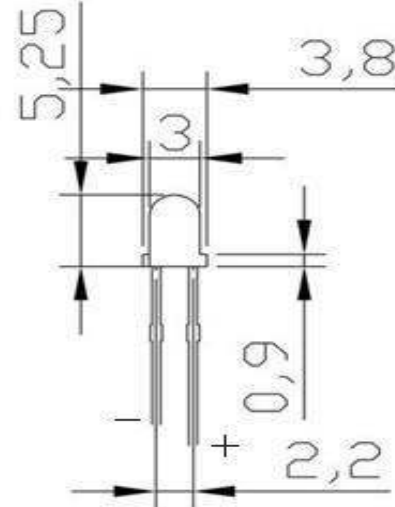


NOTE:  
Unit:mm

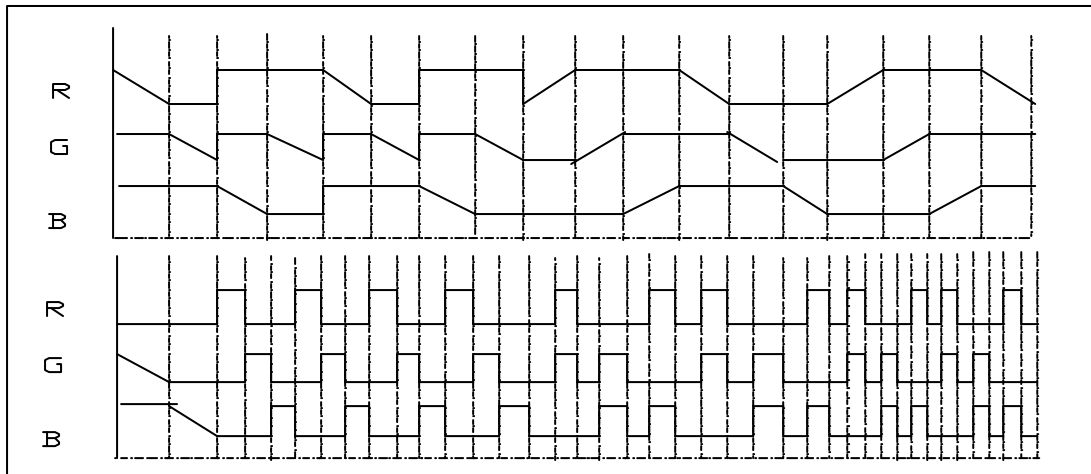
Dimensions:5mm



Dimensions:3mm



### Output Sketch Map



\*All specs and applications shown above subject to change without prior notice.

(以上电路及规格仅供参考，本公司可进行修正)