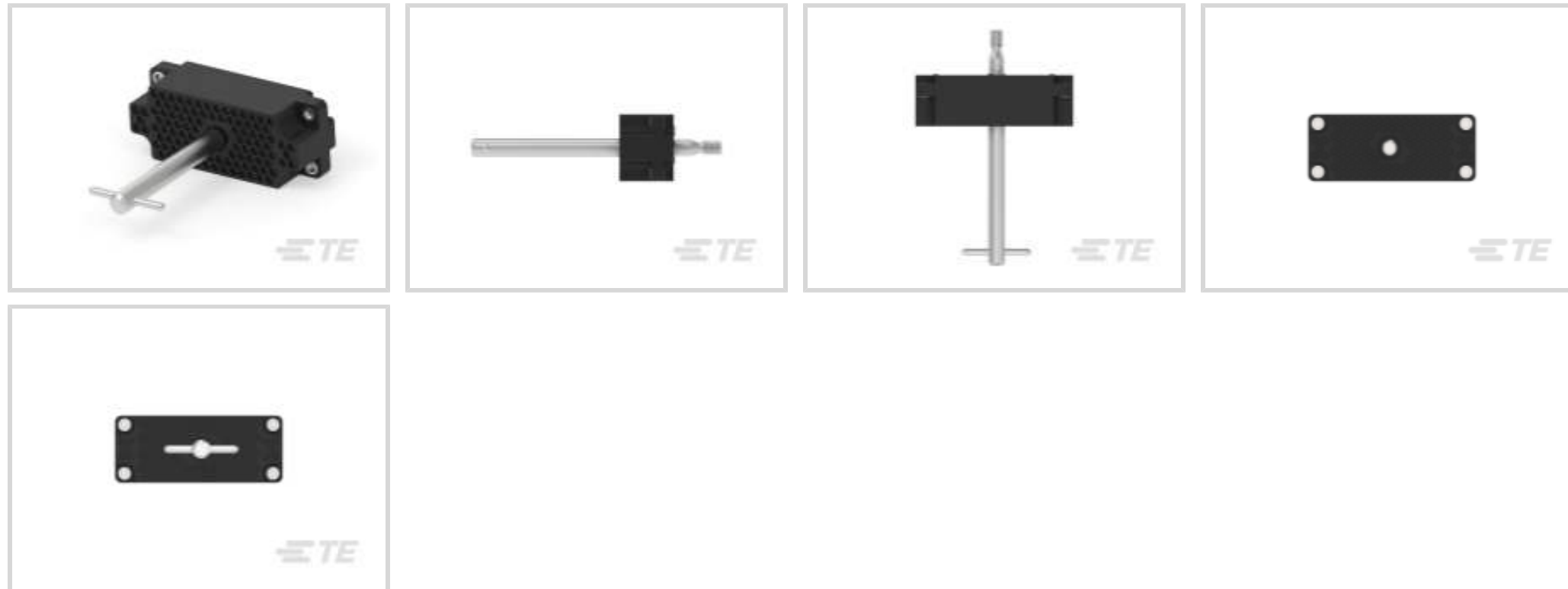




Connectors > Power Connectors > Rectangular Power > Rectangular Power Connectors



Rectangular Power Connector Type: **Housing**

Connector & Housing Type: **Plug**

Connector System: **Cable-to-Cable, Cable-to-Panel**

Number of Positions: **104**

Centerline (Pitch): **3.81 mm [.15 in]**

Features

Product Type Features

| | |
|-----------------------------------|--------------------------------|
| Rectangular Power Connector Type | Housing |
| Connector & Housing Type | Plug |
| Connector System | Cable-to-Cable, Cable-to-Panel |
| Sealable | No |
| Connector & Contact Terminates To | Wire & Cable |

Configuration Features

| | |
|----------------------------|-----|
| Number of Positions | 104 |
| Number of Power Positions | 104 |
| Number of Signal Positions | 104 |
| Number of Rows | 8 |

Electrical Characteristics

| | |
|-------------------|---------|
| Operating Voltage | 250 VDC |
|-------------------|---------|

Contact Features

| | |
|------------------------------|------|
| Contact Current Rating (Max) | 13 A |
|------------------------------|------|



| | |
|----------------------------------|------|
| Contact Retention Within Housing | With |
|----------------------------------|------|

| | |
|--------------|-----|
| Contact Type | Pin |
|--------------|-----|

Termination Features

| | |
|------------------------------------|-------|
| Termination Method to Wire & Cable | Crimp |
|------------------------------------|-------|

Mechanical Attachment

| | |
|---------------|---------|
| Strain Relief | Without |
|---------------|---------|

| | |
|---------------------|------|
| Panel Mount Feature | With |
|---------------------|------|

| | |
|--------------------------|-------------|
| Panel Mount Feature Type | Screw Mount |
|--------------------------|-------------|

| | |
|-------------------------|-------------|
| Connector Mounting Type | Panel Mount |
|-------------------------|-------------|

Housing Features

| | |
|--------------------|------------------|
| Centerline (Pitch) | 3.81 mm [.15 in] |
|--------------------|------------------|

| | |
|---------------|-------|
| Housing Color | Black |
|---------------|-------|

| | |
|------------------|-------------|
| Housing Material | Phenolic GF |
|------------------|-------------|

Dimensions

| | |
|------------------|--------------------|
| Connector Height | 71.88 mm [2.83 in] |
|------------------|--------------------|

| | |
|---------------|-------------------|
| Product Width | 28.7 mm [1.13 in] |
|---------------|-------------------|

| | |
|----------------|----------------------|
| Product Length | 107.37 mm [4.227 in] |
|----------------|----------------------|

| | |
|-----------|-------------------------|
| Wire Size | .05 – 2 mm ² |
|-----------|-------------------------|

| | |
|--------------------|-----------------|
| Row-to-Row Spacing | 3.3 mm [.13 in] |
|--------------------|-----------------|

Usage Conditions

| | |
|-----------------------------|-----------------------------|
| Operating Temperature Range | -55 – 150 °C [-67 – 302 °F] |
|-----------------------------|-----------------------------|

Operation/Application

| | |
|---------------------|----------------|
| Circuit Application | Power & Signal |
|---------------------|----------------|

Industry Standards

| | |
|------------------------|----------|
| UL Flammability Rating | UL 94V-0 |
|------------------------|----------|

| | |
|------------------|-------------------------------|
| Glow Wire Rating | Standard Part - Not Glow Wire |
|------------------|-------------------------------|

Packaging Features

| | |
|--------------------|---|
| Packaging Quantity | 1 |
|--------------------|---|

| | |
|------------------|--------|
| Packaging Method | Carton |
|------------------|--------|

Product Compliance

[For compliance documentation, visit the product page on TE.com>](#)



| | |
|---|--|
| EU RoHS Directive 2011/65/EU | Compliant |
| EU ELV Directive 2000/53/EC | Compliant |
| China RoHS 2 Directive MIIT Order No 32, 2016 | No Restricted Materials Above Threshold |
| EU REACH Regulation (EC) No. 1907/2006 | Current ECHA Candidate List: JUNE 2023 (235) Candidate List Declared Against: JAN 2022 (223) Does not contain REACH SVHC |
| Halogen Content | Low Halogen - Br, Cl, F, I < 900 ppm per homogenous material. Also BFR/CFR/PVC Free |
| Solder Process Capability | Not applicable for solder process capability |

Product Compliance Disclaimer

This information is provided based on reasonable inquiry of our suppliers and represents our current actual knowledge based on the information they provided. This information is subject to change. The part numbers that TE has identified as EU RoHS compliant have a maximum concentration of 0.1% by weight in homogenous materials for lead, hexavalent chromium, mercury, PBB, PBDE, DBP, BBP, DEHP, DIBP, and 0.01% for cadmium, or qualify for an exemption to these limits as defined in the Annexes of Directive 2011/65/EU (RoHS2). Finished electrical and electronic equipment products will be CE marked as required by Directive 2011/65/EU. Components may not be CE marked. Additionally, the part numbers that TE has identified as EU ELV compliant have a maximum concentration of 0.1% by weight in homogenous materials for lead, hexavalent chromium, and mercury, and 0.01% for cadmium, or qualify for an exemption to these limits as defined in the Annexes of Directive 2000/53/EC (ELV). Regarding the REACH Regulation, the information TE provides on SVHC in articles for this part number is based on the latest European Chemicals Agency (ECHA) 'Guidance on requirements for substances in articles' posted at this URL: <https://echa.europa.eu/guidance-documents/guidance-on-reach>

Compatible Parts



TE Part # 201532-4
RECEPT BLOCK,104 POSN,M SERIES



TE Part # 201692-9
CNTR FASTENER PLUG BLOCK,104P



TE Part # 1-201692-7
CNTR FASTENER PLUG BLOCK,104P



TE Part # 1-201692-9
CTR. FASTENER PLUG BLOCK-104



TE Part # 202119-2
PIN HOOD



TE Part # 202110-1
104 UNASSM KIT,M SERIES



TE Part # 202169-1
M-SERIES HALF SHIELD KIT



Also in the Series | AMP M Series



Board-to-Board Jumpers & Shunts(7)



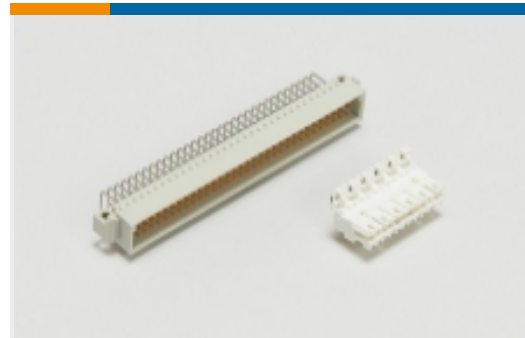
Rack & Panel Connectors(1)



Rectangular Connector Hardware(51)



Rectangular Power Connectors(66)

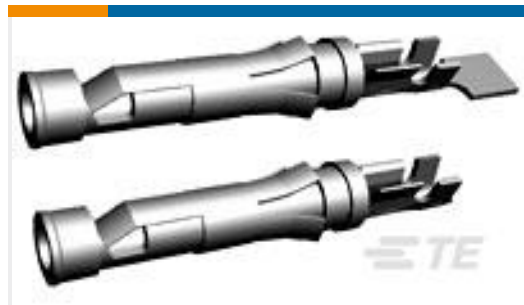


Standard Edge Connectors(2)

Customers Also Bought



TE Part #5050871-5
SOCKET,MIN-SPR SN-AU SER-5



TE Part #66358-9
III+ SKT,18-14,15AU/FL,STRIP



TE Part #202173-7
104 CTR. FASTNR. GUIDE PIN ASY



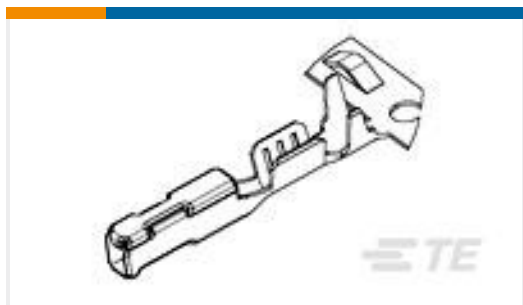
TE Part #770103-1
15P .093 COMM P&S RECPT



TE Part #130677
PG 12-10 RING M10



TE Part #201355-1
MALE BLOCK 14 PL.



TE Part #1456968-1
CONTACT,FEMALE, 0.64, 20 TO 22 AWG, AG



TE Part #2-1633928-8
ANVIL COMBINATION



TE Part #6-1393302-4
V23134A1053X295-EV-CBOX



Documents

Product Drawings

[CNTR FASTENER PLUG BLOCK,104P](#)

English

CAD Files

[3D PDF](#)

English

Customer View Model

[ENG_CVM_201692-4_AN.2d_dxf.zip](#)

English

Customer View Model

[ENG_CVM_201692-4_AN.3d_igs.zip](#)

English

Customer View Model

[ENG_CVM_201692-4_AN.3d_stp.zip](#)

English

Customer View Model

[ENG_CVM_CVM_201692-4_AY.3d_igs.zip](#)

English

Customer View Model

[ENG_CVM_CVM_201692-4_AY.3d_stp.zip](#)

English

Customer View Model

[ENG_CVM_CVM_201692-4_AY.2d_dxf.zip](#)

English

[3D PDF](#)

3D

By downloading the CAD file I accept and agree to the [Terms and Conditions](#) of use.

Datasheets & Catalog Pages

[M_SERIES_PIN_AND_SOCKET_CONNECTORS](#)

English

Instruction Sheets

[Instruction Sheet \(U.S.\)](#)

English

[M Series 104-Position Plug & Receptacle Connectors w/Center Fasteners](#)

English

Agency Approvals

[Agency Approval Document](#)

English