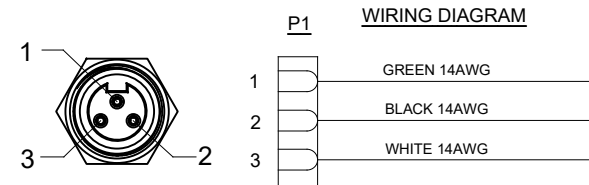
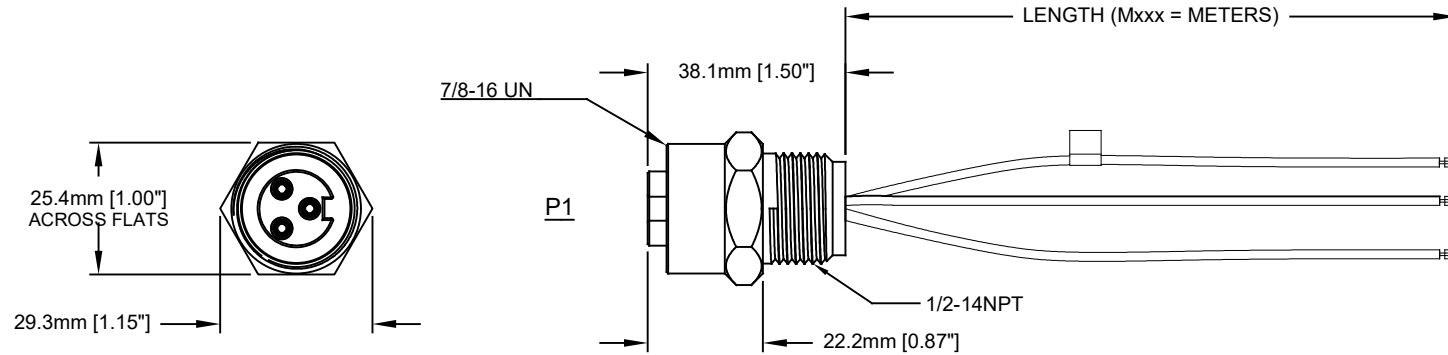


REVISIONS					
REV	ECO	DESCRIPTION	DATE	BY	APPR
A1	-	TECHNICAL DATA SHEET RELEASE	12-MAY-14	KMM	RFC



Amphenol P/N	MOLEX	TURCK
P29039-M*	1R3000A28A*	RKF34-*M/NPT
P29039-M.5	1R3000A28A005G	RKF34-.5M/NPT
P29039-M1	1R3000A28A010G	RKF34-1M/NPT
P29039-M2	1R3000A28A020G	RKF34-2M/NPT
P29039-M3	1R3000A28A030G	RKF34-3M/NPT

TOLERANCE	
0-2.99 M = +100.0/-25.0mm	0-9.99 FT = +4" / -1"
3-8.99 M = +150.0/-25.0mm	10.00-29.99 FT = +6" / -1"
9-14.99 M = +300.0/-25.0mm	30.00-49.99 FT = +12" / -1"
15-OVER M = +450.0/-25.0mm	50 FT-OVER = +18" / -1"

QUANTITY	PART NUMBER	DESCRIPTION	ITEM
<b>MATERIALS LIST</b>			
UNLESS OTHERWISE SPECIFIED		SIGNATURES      DATE	
1) All dimensions are in metric (mm).		DRAWN: KMM      12-MAY-14	
2) Tolerances are as follows:		CHECKED: MRF      12-MAY-14	
1 PL DEC ±0.30   Fractions ±1/64		ENGINEER: KMM	
2 PL DEC ±0.15		APPROVAL: RFC      12-MAY-14	
3 PL DEC ±0.08		CUSTOMER:	
3) Note reference =		THIS DRAWING IS SUPPLIED FOR INFORMATION ONLY. DESIGN FEATURES, SPECIFICATIONS AND PERFORMANCE DATA SHOWN HEREON ARE THE PROPERTY OF THE AMPHENOL CORPORATION. NO RIGHTS OF REPRODUCTION ARE IMPLIED. ALL DIMENSIONS ARE SUBJECT TO NORMAL MANUFACTURING VARIATIONS.	
MATERIAL SPECIFICATIONS:		SIZE      TYPE      DWG NO.      REVISION	
PROCESS SPECIFICATIONS:		C-      P29039-Mxxx      A1	
NEXT ASSY:		SCALE      FULL      C-P29039      SHEET 1 OF 1	

**Amphenol**  
Sine Systems - www.amphenol-sine.com  
44724 Morley Drive  
Clinton Township, MI 48036

**M22 PB LITE, 3 PIN, FEMALE RECEPTACLE  
DROP, 14 AWG, 1/2 - 14NPT**

**TECHNICAL DATA:**

- MATERIALS:**  
HOUSING: MACHINED ALUMINUM, ANODIZED  
INSULATION INSERT: THERMOPLASTIC, UL 94/V-0  
CONTACT: GOLD FLASH PLATING OVER COPPER ALLOY  
CONDUCTOR INSULATION: PVC  
NUMBER OF CONDUCTORS: (3) 14AWG
- ELECTRICAL DATA:**  
CURRENT (MAX): 15A  
VOLTAGE (MAX): 600V AC/DC  
INSULATION RESISTANCE (MIN): 5000M OHMS  
DIELECTRIC TEST VOLTAGE: 2200V
- MECHANICAL DATA:**  
KNOCKOUT HOLE SIZE FOR PANEL MOUNT: 22.2mm [.88"]  
TEMPERATURE RANGE: -40°C TO 90°C  
PROTECTION: IP67 (MATED CONDITION)  
MATING CYCLES: >500  
VIBRATION RESISTANCE PER MIL-STD-202 METHOD 204  
THERMAL SHOCK PER MIL-STD-202 METHOD 207  
48 HOUR SALT SPRAY PER MIL-STD-202 METHOD 101
- RoHS COMPLIANT
- UL 2237 LISTED ASSEMBLY  
UL FILE NUMBERS: E339703

TTT-422 PB LITE, 3 PIN, FEMALE REC., 14AWG, 1/2-14NPT dwg no: C-P29039-Mxxx rev: A1 sh: 1 of: 1