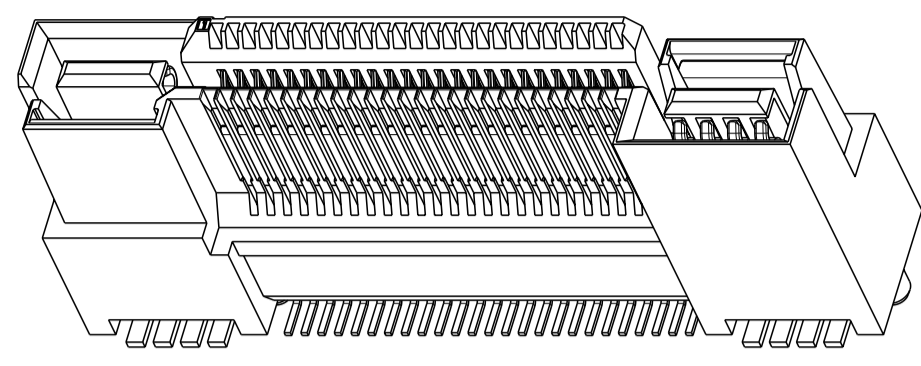
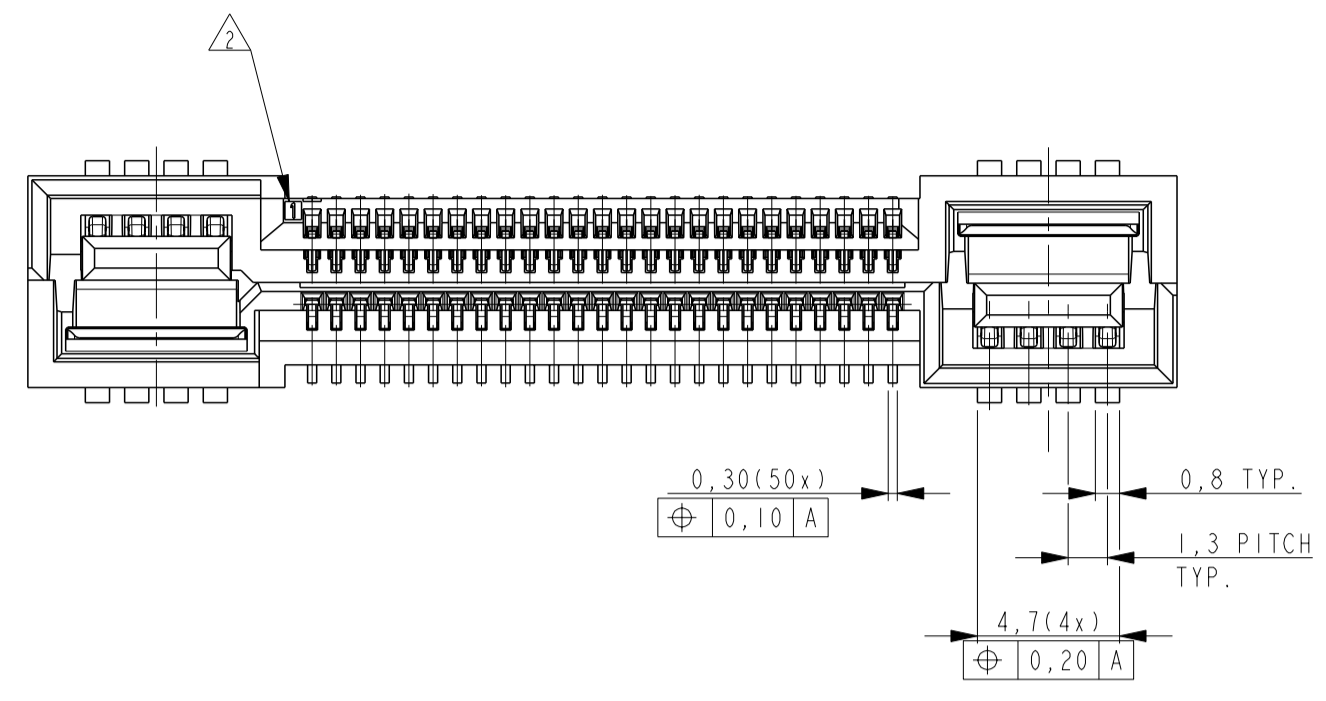


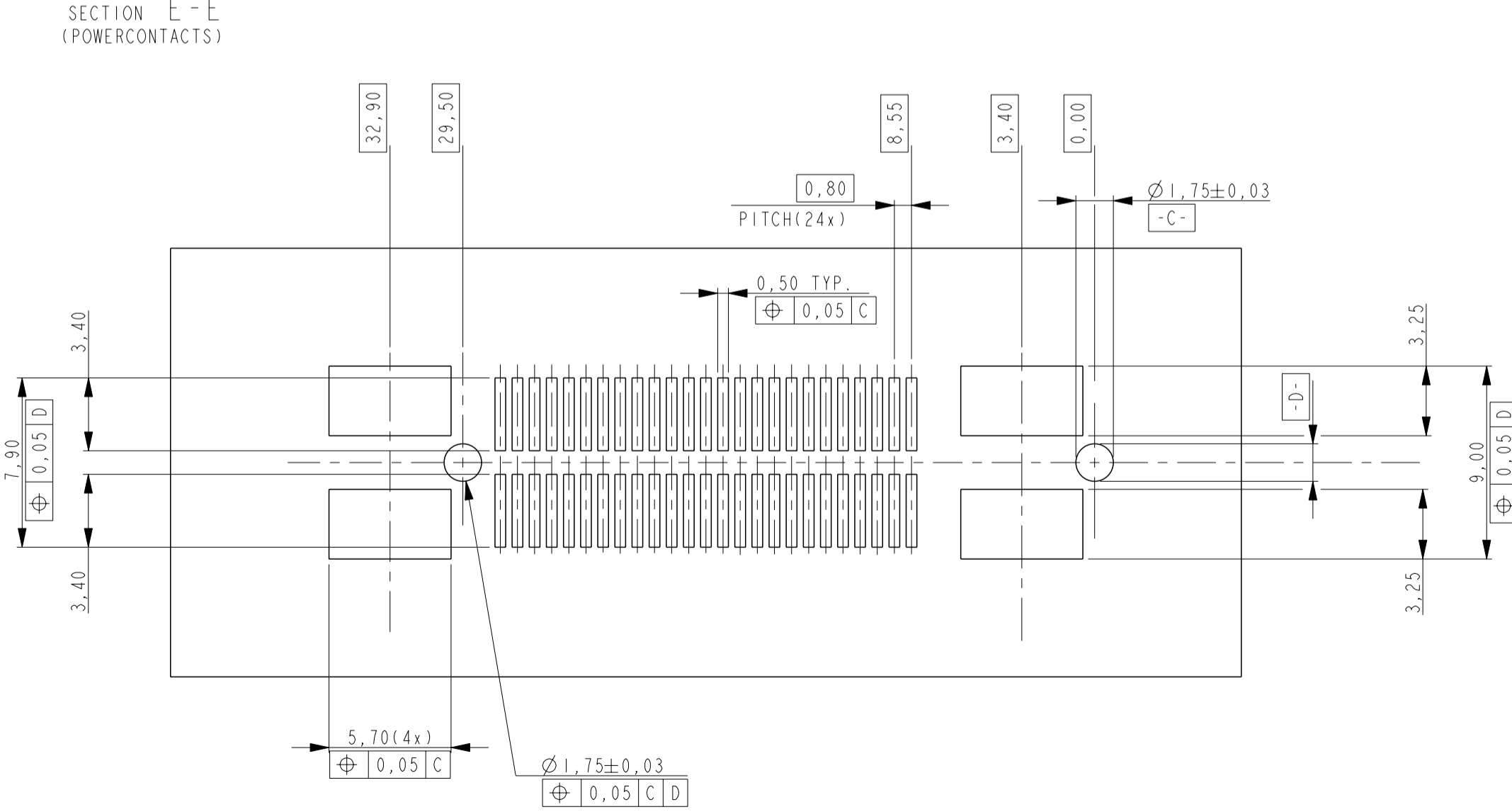
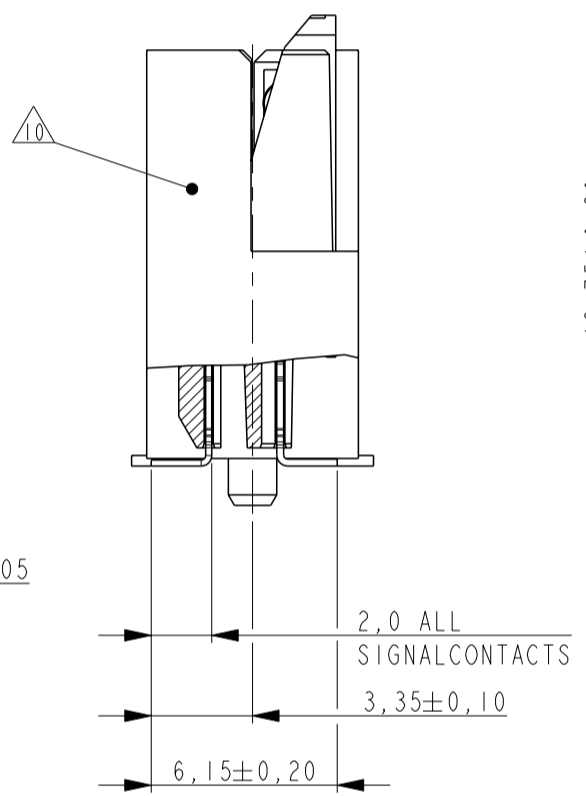
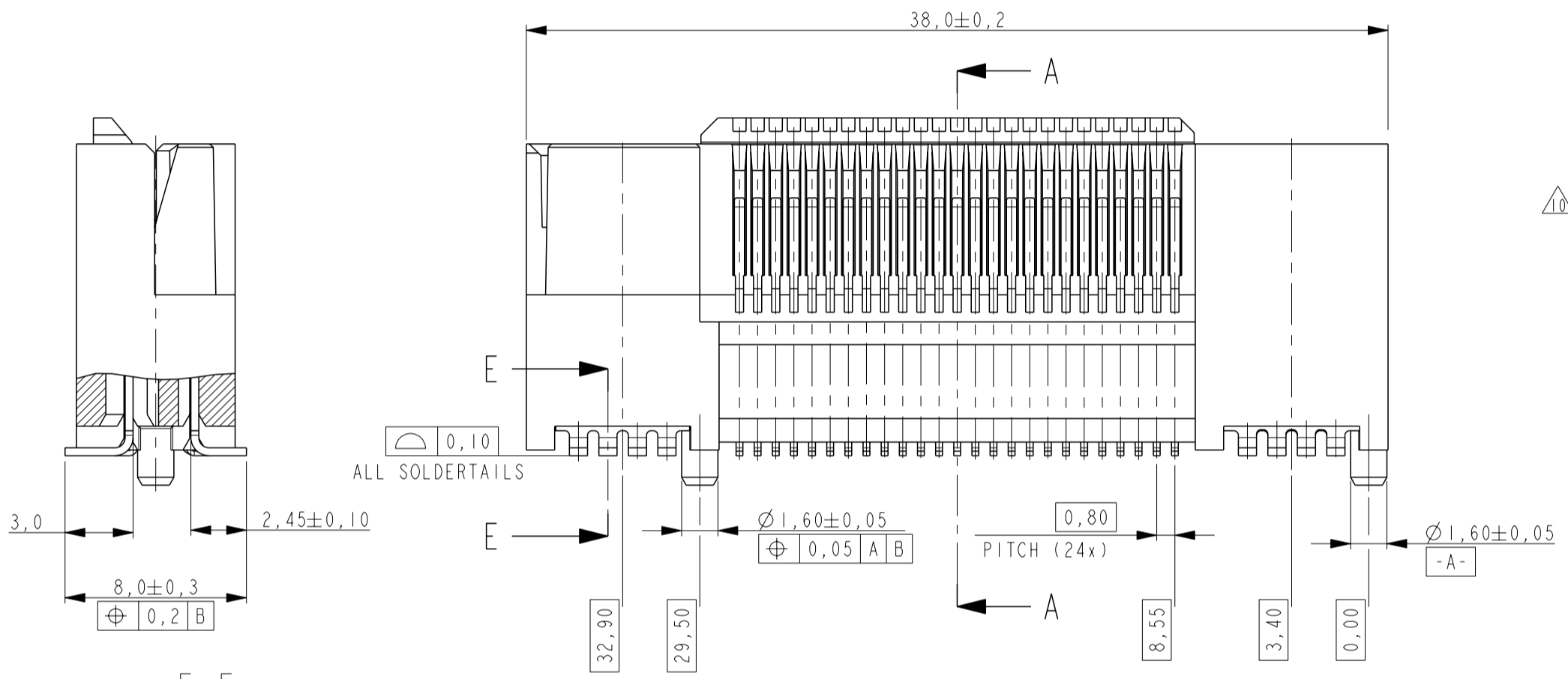
THIS DRAWING IS UNPUBLISHED. RELEASED FOR PUBLICATION  
 © COPYRIGHT BY ALL RIGHTS RESERVED.

REVISIONS					
P	LTR	DESCRIPTION	DATE	DWN	APVD
A		RELEASED PER ECR-11-009736	10MAY2011	RD	TdB
B		ECR-11-018362	05SEP2011	RD	TdB

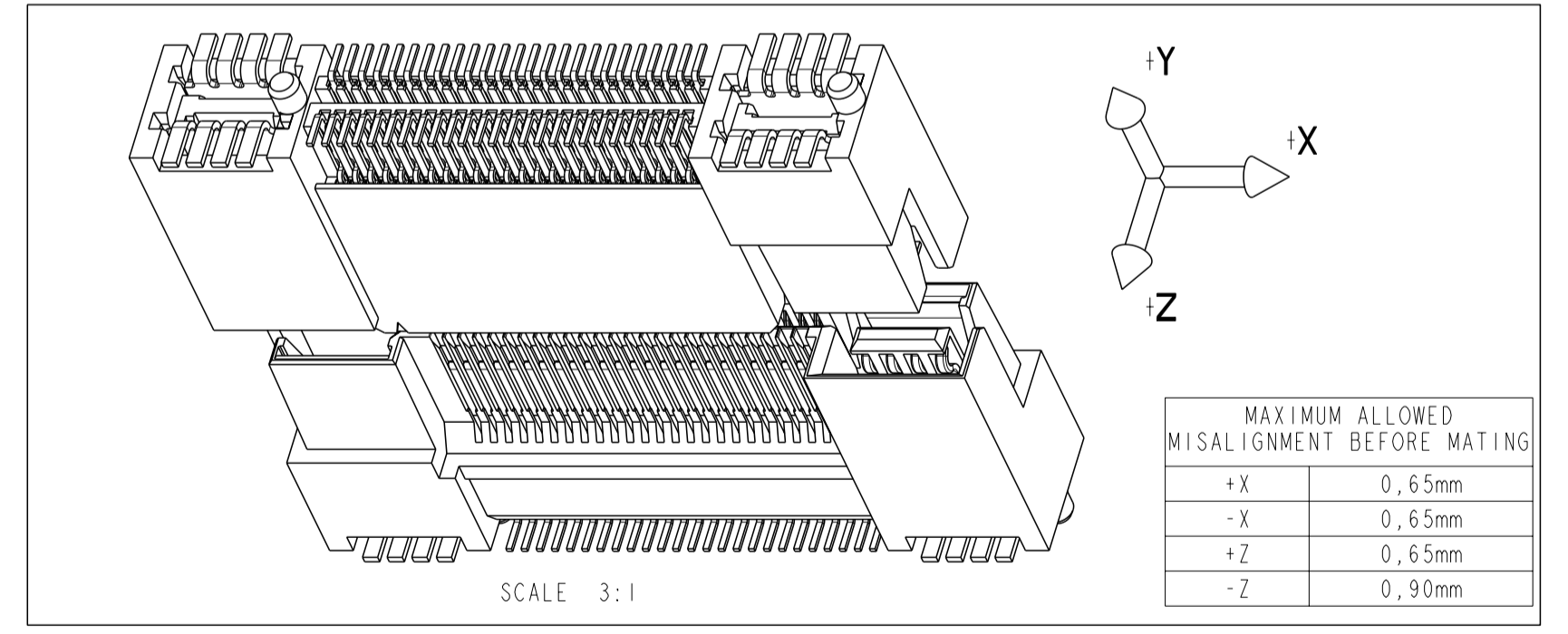


SCALE 3:1

- NOTES:
- MATERIAL: -CONTACTS: COPPER ALLOY.  
-HOUSING: LCP (COLOR NATURAL)  
-PICK AND PLACE ADAPTER: PA4.6.
  - FINISH: -SIGNALCONTACTS: Ni UNDERLAYER, Au AT CONTACTSPOTS Sn AT SOLDERTAILS.  
-POWERCONTACTS: Ni UNDERLAYER, Au AT CONTACTSPOTS Sn AT SOLDERTAILS.
  - CONTACT POSITION INDEX (NR 1 AND TRIANGLE SYMBOL).
  - CONNECTOR IS NOT SUITABLE FOR HIGH SPEED APPLICATIONS.
  - PCB STACKING HEIGHT: 21,5±0,5mm.
  - CONTACT WIPE AT NOMINAL STACKING HEIGHT:  
SIGNAL CONTACTS: 1,5±0,2mm; POWER CONTACTS: 2,5±0,2mm.
  - PACKAGED IN ANTISTATIC TAPE AND REEL.  
EMBOSSED CARRIER TAPE DIMENSIONS ACCORDING SPECIFICATION EIA-481-B. SEE SHEET 2 FOR MORE DETAILS.
  - REELDIAMETER 330mm, NUMBER OF PARTS PER REEL 150 PCS.
  - USER DIRECTION OF UNREELING.
  - WEIGHT OF CONNECTOR INCLUDING PICK AND PLACE ADAPTOR: 4,2g
  - AREA FOR DATE-CODE: yyyyWww EXAMPLE: 2011W05 MEANS WEEK 5 2011 CHARACTER HEIGHT 1,5mm, COLOR BLACK.



RECOMMENDED PCB LAYOUT



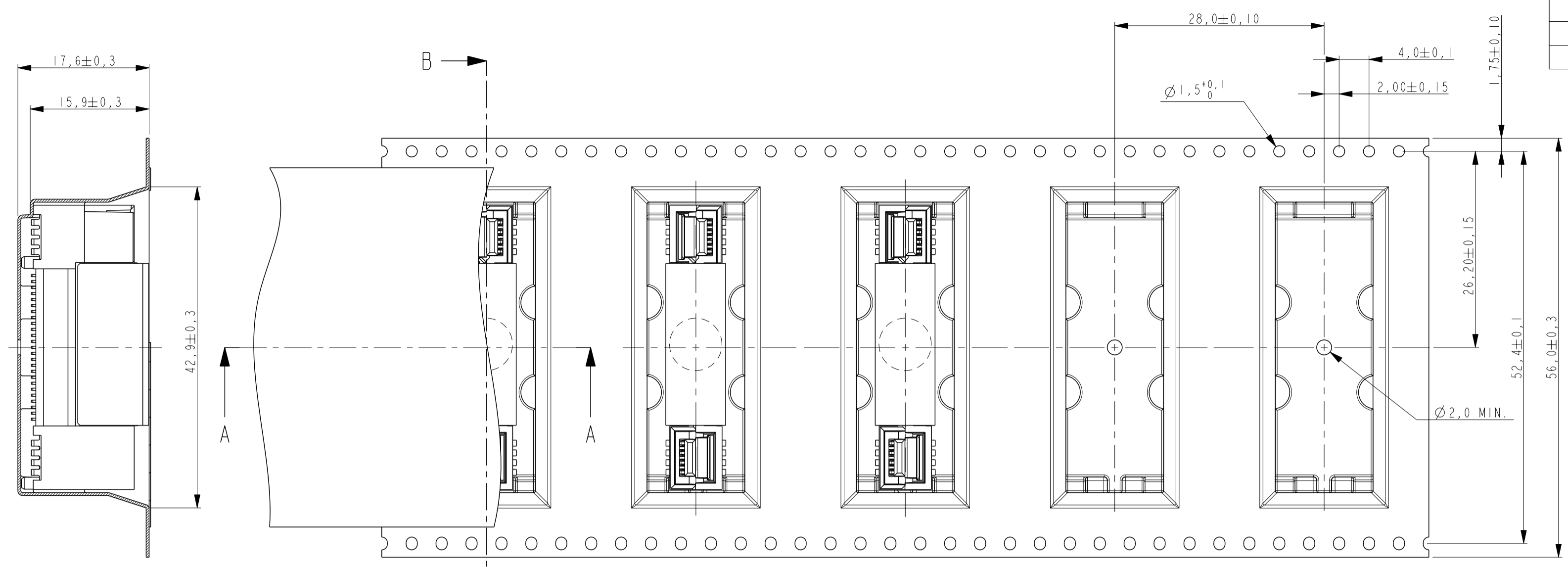
SCALE 3:1

ORDERNUMBER: 2042954-1  
 PICK AND PLACE ADAPTOR NOT SHOWN IN THIS SHEET

THIS DRAWING IS A CONTROLLED DOCUMENT.		DWN 28 OCT 2008 J.V.D. HEIJDEN	TE Connectivity	
		CHK 28 OCT 2008 R.DAAMEN		
DIMENSIONS: mm		APVD T.d. BOER	NAME BOARD TO BOARD CONNECTOR	
TOLERANCES UNLESS OTHERWISE SPECIFIED:		PRODUCT SPEC 108-19398	RESTRICTED TO	
0 PLC ±		APPLICATION SPEC	SIZE A2	CAGE CODE 00779
1 PLC ±0,1		WEIGHT	DRAWING NO C-2042954	SHEET 1 OF 2
2 PLC ±0,05			SCALE 4:1	REV B
3 PLC ±				
4 PLC ±				
ANGLES ±				
FINISH ±				
MATERIAL		CUSTOMER DRAWING		

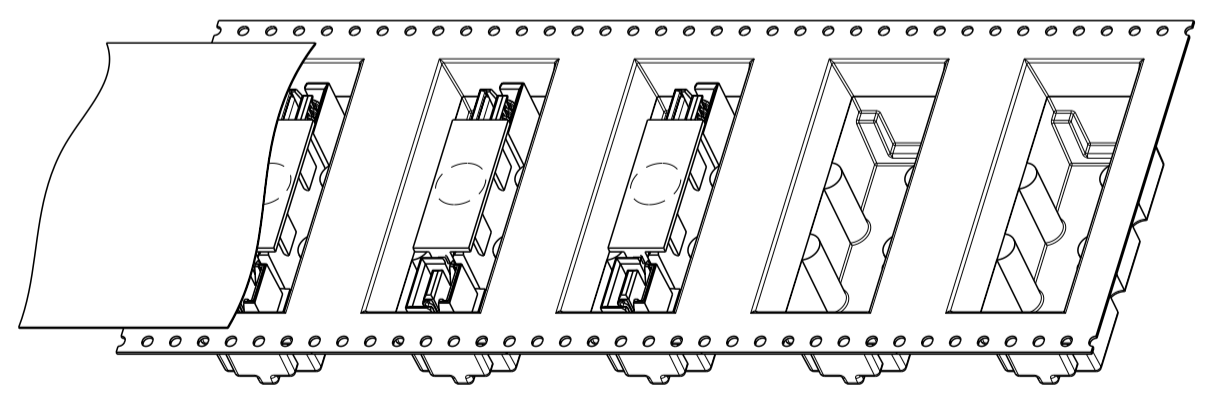
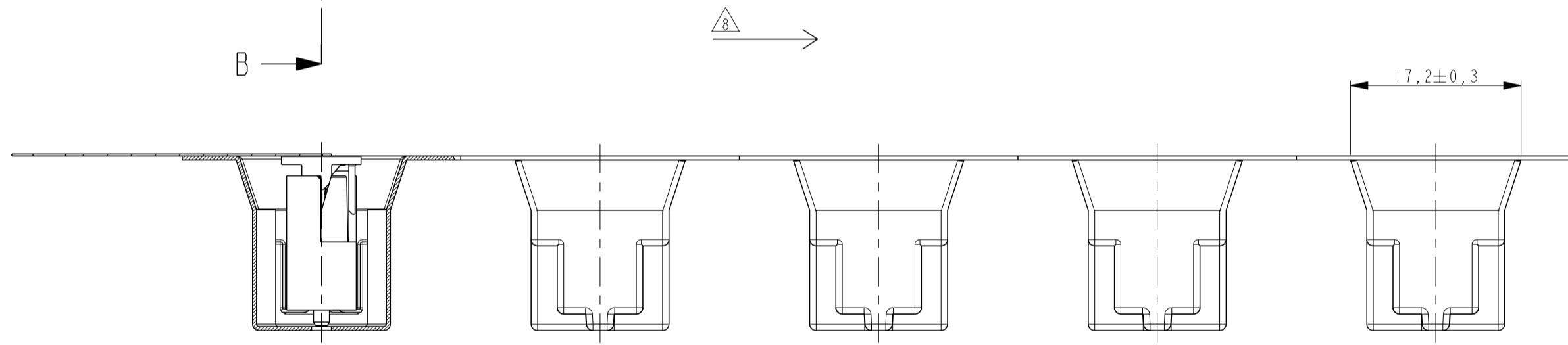
THIS DRAWING IS UNPUBLISHED. RELEASED FOR PUBLICATION  
 © COPYRIGHT - BY - ALL RIGHTS RESERVED.

LOC	DIST	REVISIONS			
P	LTR	DESCRIPTION	DATE	DWN	APVD
-	-	SEE SHEET 1	-	-	-

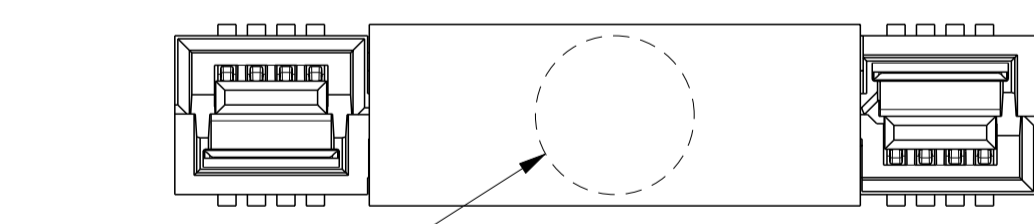


SECTION B-B

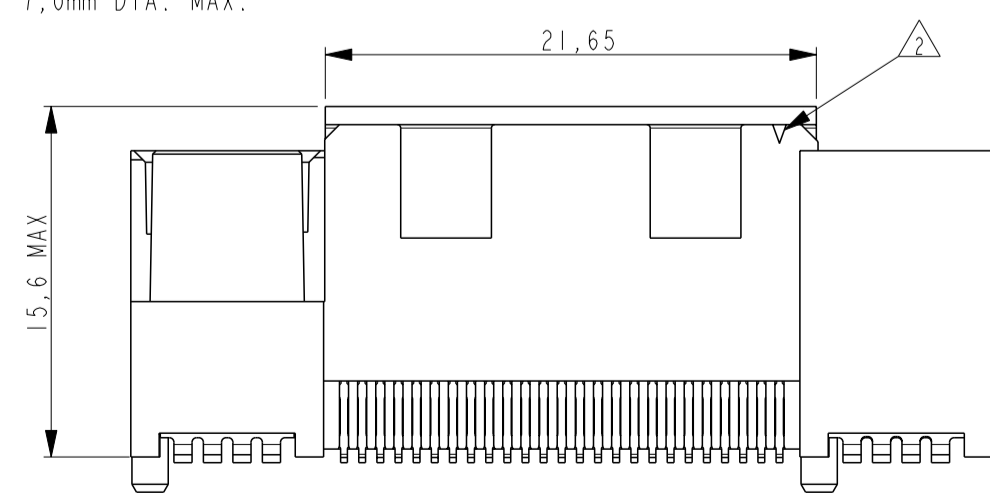
SECTION A-A



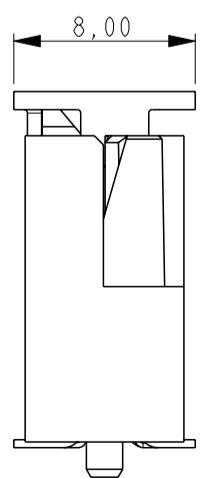
SCALE 1:1



PICK & PLACE AREA  
 7,0mm DIA. MAX.



SCALE 3:1



WITH PICK AND PLACE ADAPTOR

THIS DRAWING IS A CONTROLLED DOCUMENT.		DWN	28 OCT 2008		TE Connectivity
		CHK	28 OCT 2008		
		APVD	I. d. BOER		NAME
		PRODUCT SPEC			BOARD TO BOARD CONNECTOR
		APPLICATION SPEC			
		WEIGHT			SIZE
		CUSTOMER DRAWING	A2		CAGE CODE
			00779		DRAWING NO
			C=2042954		RESTRICTED TO
			SCALE 4:1		SHEET 2 OF 2
					REV B