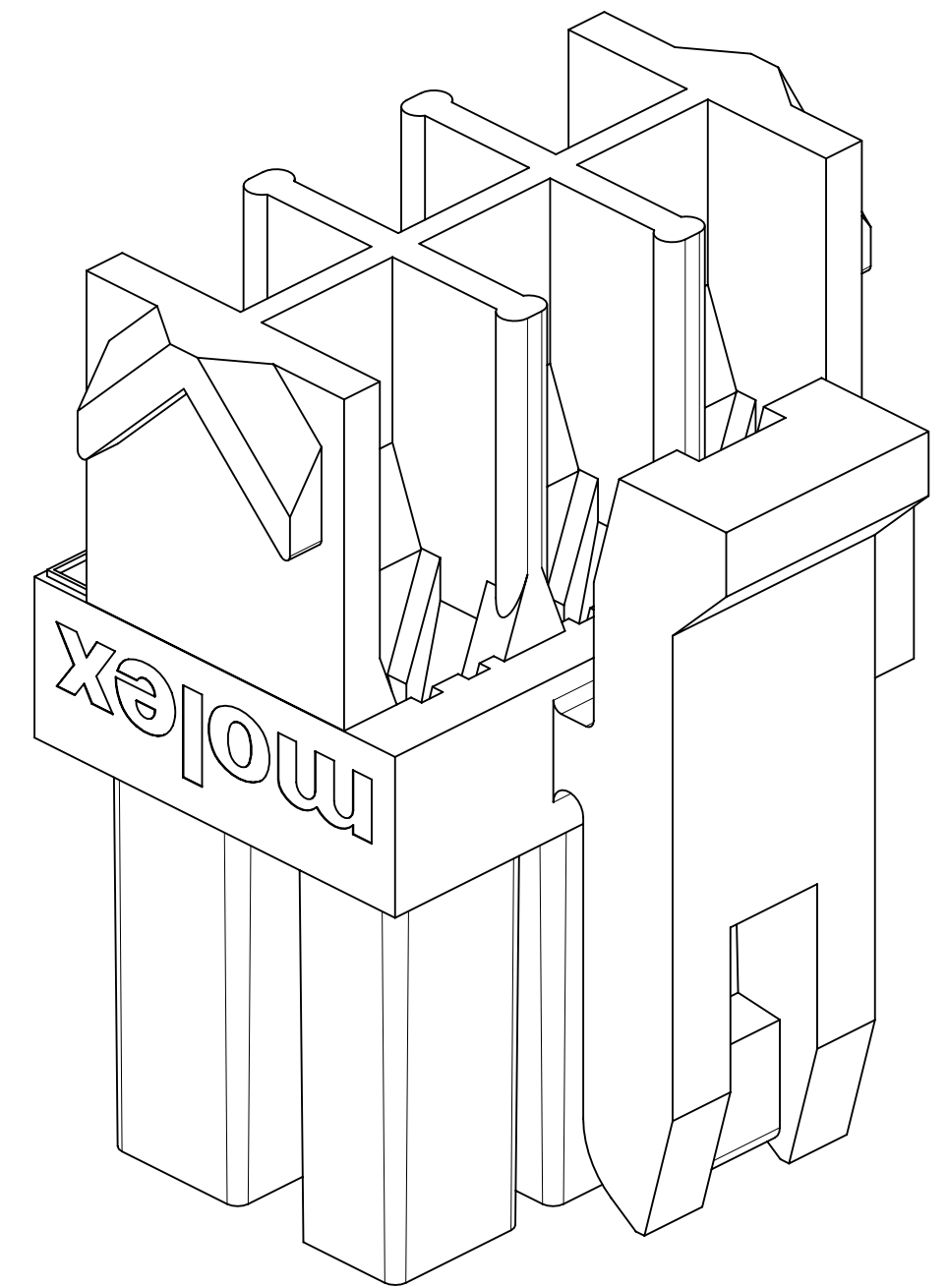


NOTES:

- 1) MATERIAL: UNFILLED NYLON, RATED UL94V-2, IEC60335-1 GLOW WIRE CAPABLE, COLOR: BLACK
- 2) FINISH: NONE
- 3) PRODUCT SPECIFICATION: PS-43045
- 4) PACKAGING SPECIFICATION: BULK PER 1729520001-PK
- 5) MATES WITH: MOLEX 43020 PLUGS, 203632 TPA PLUGS AND 43045 HEADERS
- 6) FOR USE WITH: 43030 AND 46235 (LOW FORCE) MOLEX FEMALE TERMINALS
- 7) HOUSING IS DESIGNED FOR USE WITH 172953-XX02 TPA. NEVER USE WITHOUT TPA.
- 8) THIS PART CONFORMS TO CLASS B REQUIREMENTS OF COSMETIC SPEC PS-45499-002
- 9) PARTS MAY HAVE A BLEMISH NEAR THE GATE THAT DOES NOT AFFECT FUNCTIONALITY
- 10) TERMINALS IN THE LOWER ROW ARE INSERTED 180° FROM THE UPPER ROW
- 11) SEE SECTION A-A FOR PROPER ORIENTATION
- 11) LAST CIRCUIT NUMBER OF THE CONNECTOR. NOT APPLICABLE TO 4 CIRCUIT.
- 12) REF 430250000-AS FOR OVERMOLDING PARAMETERS
- 13) TO BE MEASURED APPROXIMATELY 1.52/.060 FROM [E] SURFACE
- 14) TO BE MEASURED ON [C] SURFACE
- 15) MOLEX RECOMMENDS THE USE OF MICRO-FIT TEST PLUG SERIES 44242 FOR ALL TESTING. TEST PLUGS MUST NOT BE MATED OR UNMATED UNDER LOAD. DO NOT USE STANDARD MATING COMPONENTS FOR TEST PURPOSES.
- 16) TEXT ON PART IS FOR REFERENCE ONLY. TEXT AND TEXT LOCATION MAY VARY DEPENDING ON PART NUMBER AND/OR TOOL.
- 17) INTENDED FOR USE WITH 20-30 AWG WIRES ONLY



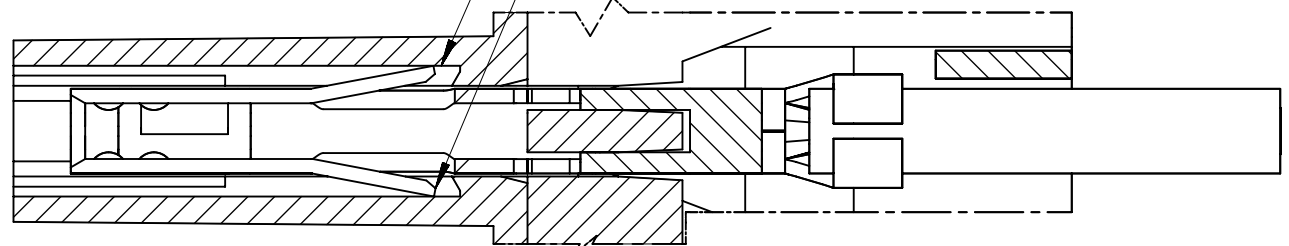
172952-0602 SHOWN

NEVER USE WITHOUT TPA.

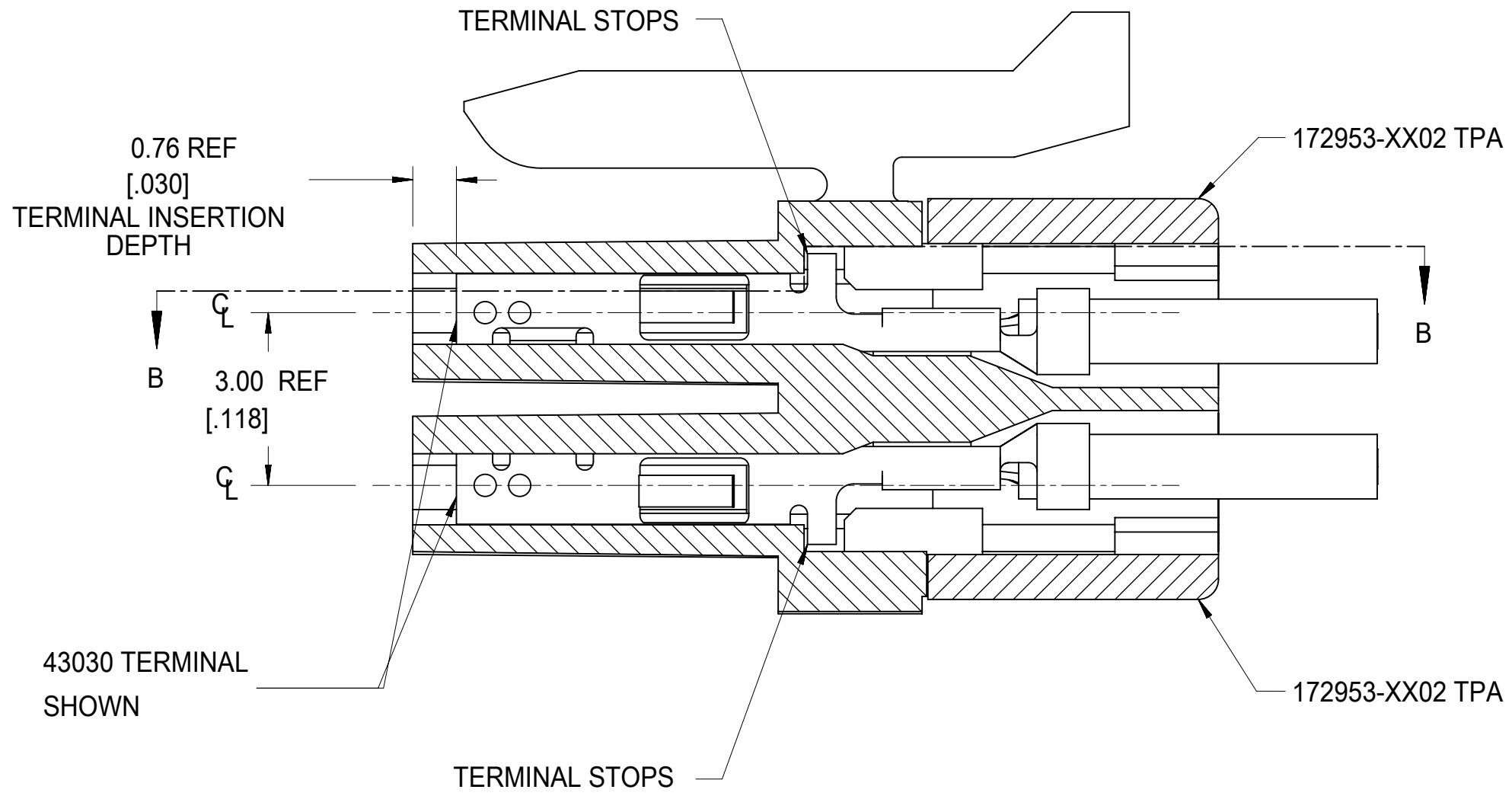
SCALE 10:1

| | | | | |
|--------------------|-----------------------------------------------------------------------------------------------------------------------------------------------|------------------------|-------------------------------|---------------------------|
| FUNCTIONAL SYMBOLS | THIS DRAWING CONTAINS INFORMATION THAT IS PROPRIETARY TO MOLEX ELECTRONIC TECHNOLOGIES, LLC AND SHOULD NOT BE USED WITHOUT WRITTEN PERMISSION | | | |
| | DIMENSION UNITS | SCALE | CURRENT REV DESC: ADD NOTE 17 | |
| $\frac{E}{A} = 0$ | MM/INCH | 5:1 | | |
| $\frac{E}{C} = 0$ | GENERAL TOLERANCES (UNLESS SPECIFIED) | | | |
| $\frac{E}{P} = 0$ | | MM | INCH | |
| DIVISIONAL SYMBOLS | 4 PLACES | ± | ± | EC NO: 723726 |
| | 3 PLACES | ± | ± 0.01 | DRWN: MKIPPER 2022/02/25 |
| | 2 PLACES | ± 0.25 | ± 0.015 | CHK'D: MKIPPER 2022/10/12 |
| | 1 PLACE | ± 0.38 | ± | APPR: FSMITH 2022/10/13 |
| | 0 PLACES | ± | ± | INITIAL REVISION: |
| | ANGULAR TOL | ± 0.5° | | DRWN: MCOLE 2016/02/23 |
| | DRAFT WHERE APPLICABLE MUST REMAIN WITHIN DIMENSIONS | THIRD ANGLE PROJECTION | DRAWING | SERIES |
| | | | C-SIZE | 172952 |
| DOCUMENT STATUS | | P1 | RELEASE DATE | 2022/10/13 13:32:56 |
| DOCUMENT NUMBER | | CUSTOMER | | SHEET NUMBER |
| SD-172952-002 | | GENERAL MARKET | | 1 OF 3 |

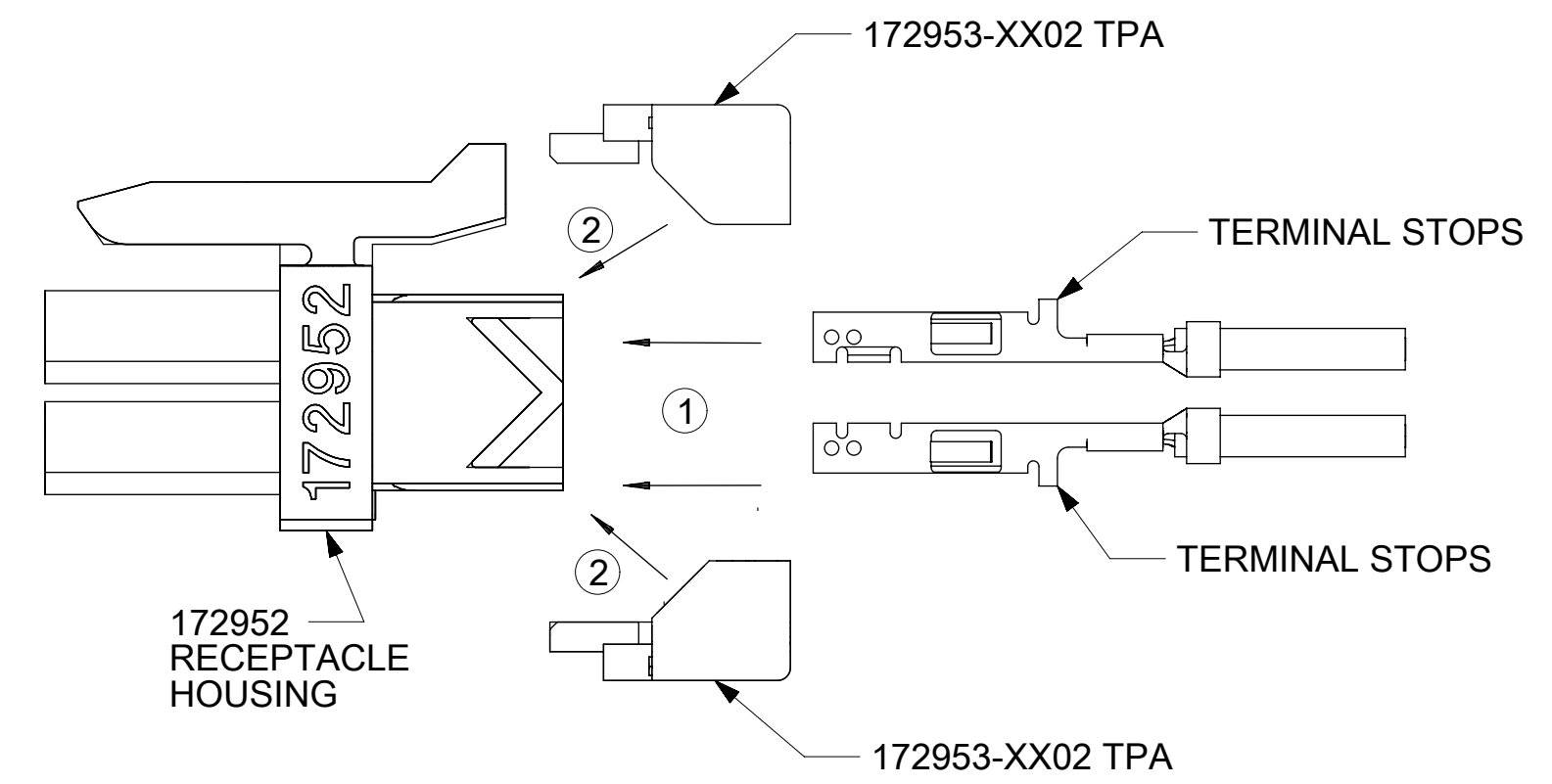
TERMINAL LOCKING TABS MUST BE FULLY SEATED TO HOUSING BEFORE MATING WITH OTHER HALF OF CONNECTOR SYSTEM



Partial B-B
SCALE 10:1



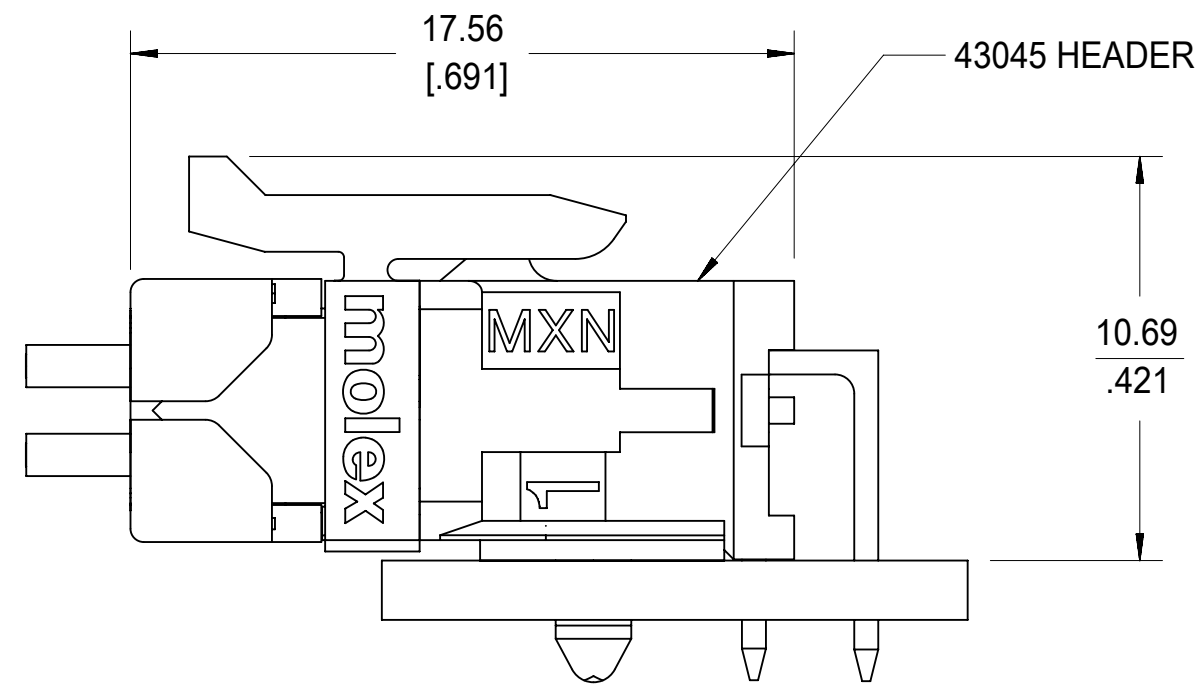
SECTION A-A
(WITH TERMINALS AND TPAs)
SCALE 10:1



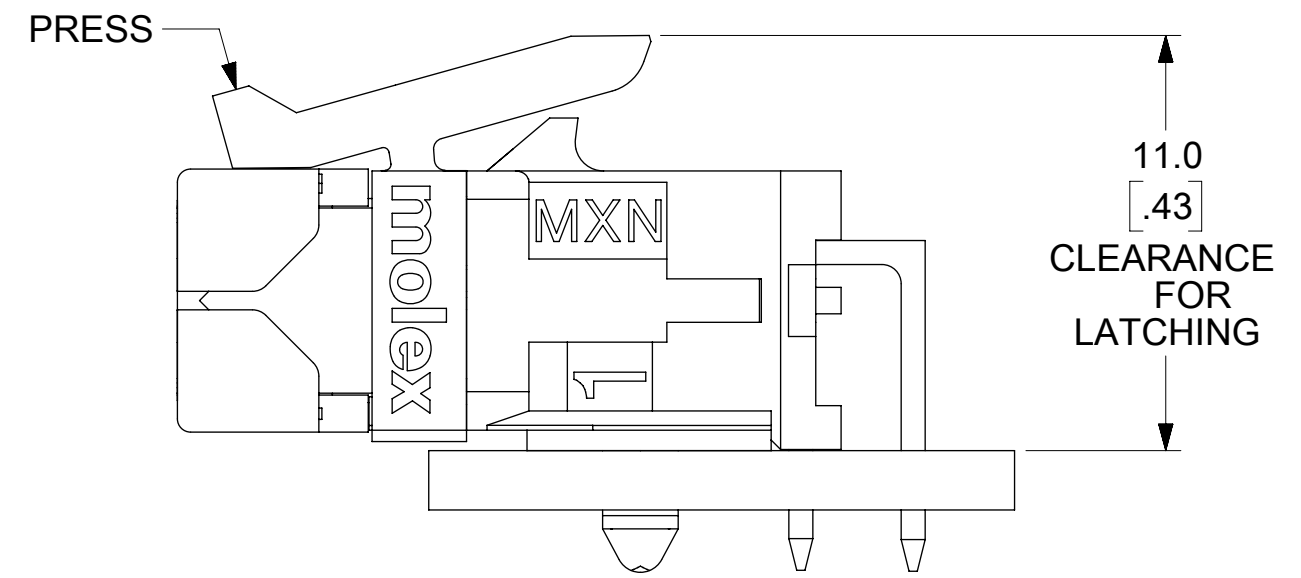
TERMINAL AND TPA ORIENTATION AND ASSEMBLY NEVER USE WITHOUT TPA.

| | | | |
|----------|-------------|---------------|---------------|
| 24 | 172952-2402 | 33.00 / 1.299 | 36.85 / 1.451 |
| 22 | 172952-2202 | 30.00 / 1.181 | 33.85 / 1.333 |
| 20 | 172952-2002 | 27.00 / 1.063 | 30.85 / 1.215 |
| 18 | 172952-1802 | 24.00 / .945 | 27.85 / 1.096 |
| 16 | 172952-1602 | 21.00 / .827 | 24.85 / .978 |
| 14 | 172952-1402 | 18.00 / .709 | 21.85 / .860 |
| 12 | 172952-1202 | 15.00 / .591 | 18.85 / .742 |
| 10 | 172952-1002 | 12.00 / .472 | 15.85 / .624 |
| 8 | 172952-0802 | 9.00 / .354 | 12.85 / .506 |
| 6 | 172952-0602 | 6.00 / .236 | 9.85 / .388 |
| 4 | 172952-0402 | 3.00 / .118 | 6.85 / .270 |
| CKT SIZE | PART NUMBER | DIM A | DIM B |

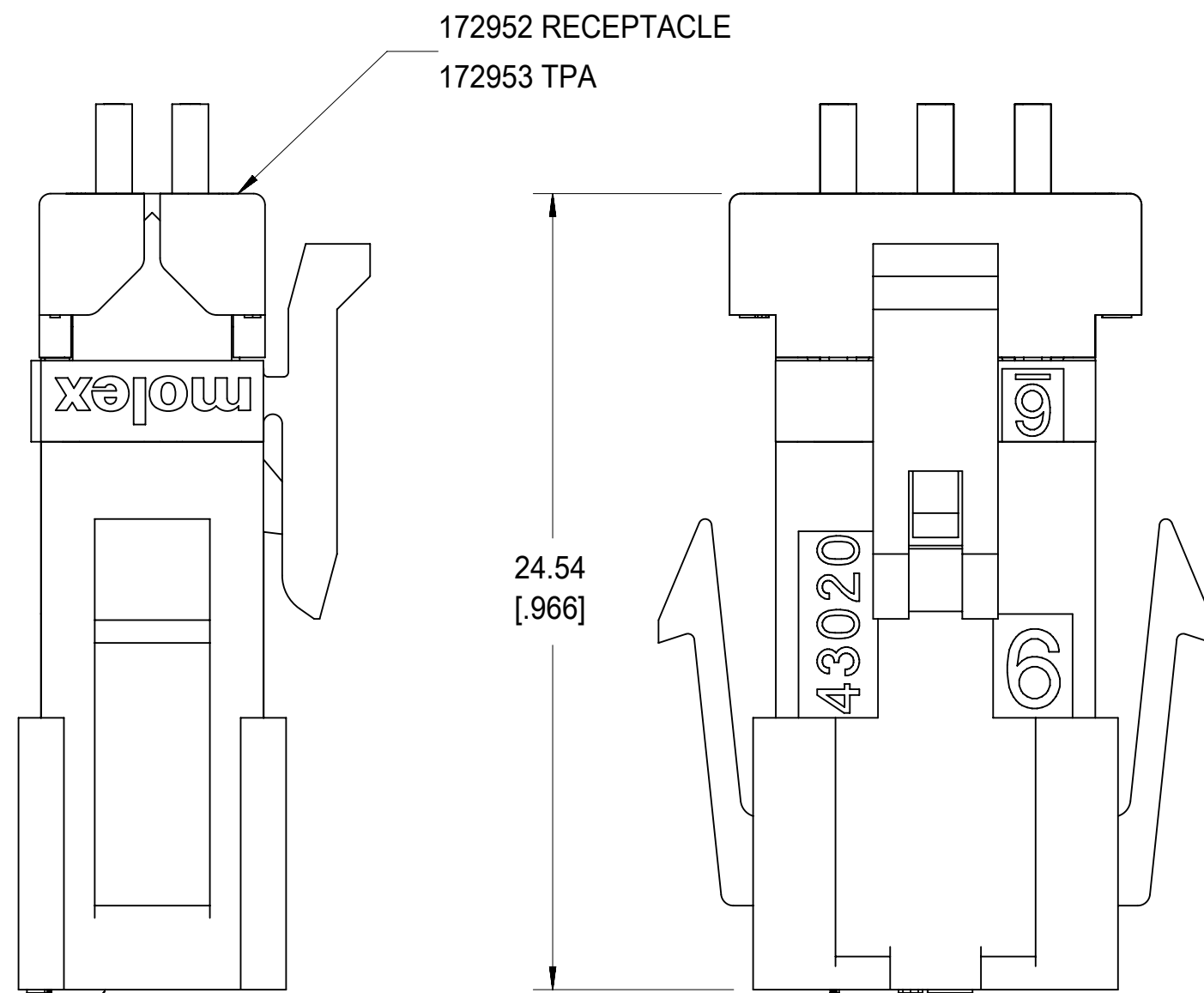
| | | | | |
|--------------------------------------------------|-----------------------------------------------------------------------------------------------------------------------------------------------|---------|-------------------------------|----------------------------|
| FUNCTIONAL SYMBOLS FA = 0 FC = 0 FP = 0 | THIS DRAWING CONTAINS INFORMATION THAT IS PROPRIETARY TO MOLEX ELECTRONIC TECHNOLOGIES, LLC AND SHOULD NOT BE USED WITHOUT WRITTEN PERMISSION | | | |
| | DIMENSION UNITS | SCALE | CURRENT REV DESC: ADD NOTE 17 | |
| | MM/INCH | 5:1 | | |
| | GENERAL TOLERANCES (UNLESS SPECIFIED) | | | |
| DIVISIONAL SYMBOLS | 4 PLACES | ± | ± | EC NO: 723726 |
| | 3 PLACES | ± | ± 0.01 | DRWN: MKIPPER 2022/02/25 |
| | 2 PLACES | ± 0.25 | ± 0.015 | CHK'D: MKIPPER 2022/10/12 |
| | 1 PLACE | ± 0.38 | ± | APPR: FSMITH 2022/10/13 |
| | 0 PLACES | ± | ± | INITIAL REVISION: |
| | ANGULAR TOL | ± 0.5 ° | | DRWN: MCOLE 2016/02/23 |
| | DRAFT WHERE APPLICABLE MUST REMAIN WITHIN DIMENSIONS | | | APPR: BPISZCZOR 2016/03/24 |
| | THIRD ANGLE PROJECTION | DRAWING | SERIES | DOCUMENT NUMBER |
| | | C-SIZE | 172952 | SD-172952-002 |
| | | | | DOC TYPE |
| | | | | PSD |
| | | | | DOC PART |
| | | | | 001 |
| | | | | REVISION |
| | | | | C1 |
| | | | | SHEET NUMBER |
| | | | | 2 OF 3 |



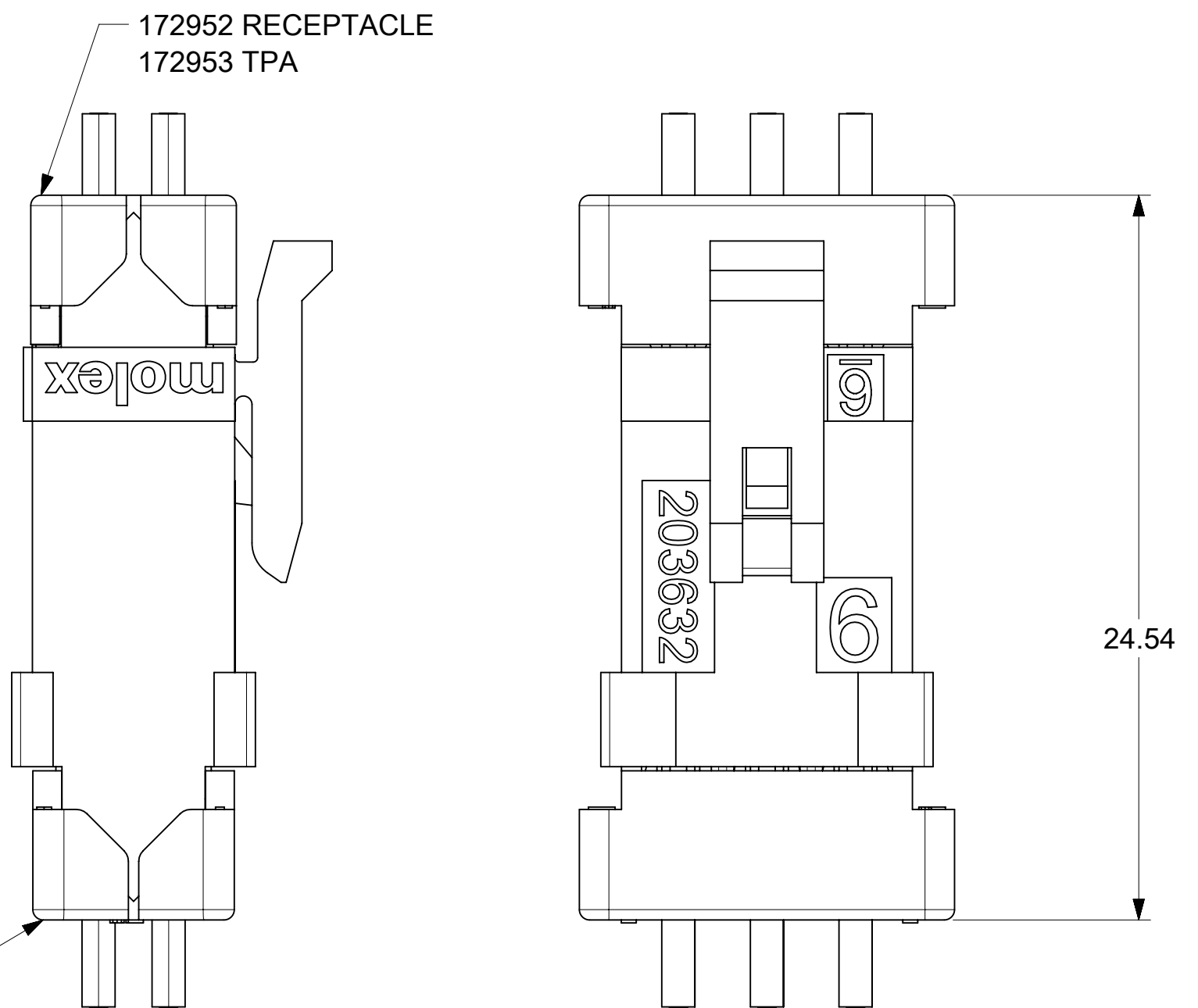
MATED MICRO-FIT
CONNECTOR
(WITH TPA INSTALLED)



MATED MICRO-FIT
CONNECTOR
(WITH TPA INSTALLED)



MATED MICRO-FIT
CONNECTOR
(WITH TPA INSTALLED)



MATED MICRO-FIT CONNECTOR
(WITH TPA INSTALLED)

| | | | | | | | | | | | | | | | |
|------------------------------------------------------|-----------------------------------------------------------------------------------------------------------------------------------------------|---------|--------|------------------------|---------------------------------------------------------------------------------------------------|-----------------|---------------------------------------------------------------------------|----------|--|-----------------|--|----------------|--|--------------|--|
| FUNCTIONAL SYMBOLS | THIS DRAWING CONTAINS INFORMATION THAT IS PROPRIETARY TO MOLEX ELECTRONIC TECHNOLOGIES, LLC AND SHOULD NOT BE USED WITHOUT WRITTEN PERMISSION | | | | | | | | | | | | | | |
| | DIMENSION UNITS | | SCALE | | CURRENT REV DESC: ADD NOTE 17 | | | | | | | | | | |
| | MM/INCH | | 5:1 | | EC NO: 723726 DRWN: MKIPPER 2022/02/25 CHK'D: MKIPPER 2022/10/12 APPR: FSMITH 2022/10/13 | | | | | | | | | | |
| | GENERAL TOLERANCES (UNLESS SPECIFIED) | | | | | | | | | | | | | | |
| DIVISIONAL SYMBOLS | 4 PLACES ± | | MM | | INCH | | INITIAL REVISION: DRWN: MCOLE 2016/02/23 APPR: BPISZCZOR 2016/03/24 | | | | | | | | |
| | 3 PLACES ± | | ± 0.01 | | | | | | | | | | | | |
| | 2 PLACES ± | | ± 0.25 | | ± 0.015 | | | | | | | | | | |
| | 1 PLACE ± | | ± 0.38 | | ± | | | | | | | | | | |
| 0 PLACES ± | | ± | | ± | | DOCUMENT NUMBER | | DOC TYPE | | DOC PART | | REVISION | | | |
| ANGULAR TOL ± | | ± 0.5 ° | | | | SD-172952-002 | | PSD | | 001 | | C1 | | | |
| DRAFT WHERE APPLICABLE MUST REMAIN WITHIN DIMENSIONS | | | | THIRD ANGLE PROJECTION | | DRAWING | | SERIES | | MATERIAL NUMBER | | CUSTOMER | | SHEET NUMBER | |
| | | | | | | C-SIZE | | 172952 | | SEE CHART | | GENERAL MARKET | | 3 OF 3 | |

molex

MICROFIT TPA RECEPTACLE GLOW WIRE
DUAL-ROW HOUSING

PRODUCT CUSTOMER DRAWING