

ADuCM320 Development Systems Getting Started Tutorial

DEVELOPMENT SYSTEM KIT CONTENTS

An evaluation board (**Eval-ADuCM320EBZ**) that facilitates performance evaluation of the device with a minimum of external components

An Analog Devices, Inc., J-Link OB emulator (**USB-SWD/UART-EMUZ**)

1 USB cable

1 installation DVD

INTRODUCTION

The **ADuCM320** is a dual-die stack system on-chip designed for diagnostic control on fixed wavelength laser optical module applications. It features a 16-bit (14-bit accurate) multichannel SAR ADC, an ARM® Cortex™-M3 processor, 8 voltage DACs, 4 current output DACs, and flash/EE memory packaged in a 6 mm × 6 mm 96 ball BGA package.

GENERAL DESCRIPTION

The **ADuCM320** development system allows evaluation of **ADuCM320** silicon. This quick start guide introduces the support features and the tools supplied with the evaluation kit. In addition, it shows and describes how to connect the evaluation hardware.

This guide works as a tutorial by providing a step-by-step account of how to download evaluation versions of third-party software tools. Instructions are provided on how to load code examples that are supplied.

Working through this guide brings users to a stage whereby they can start to generate and download their own user code for use in their own unique end-system requirements.

TYPICAL SETUP

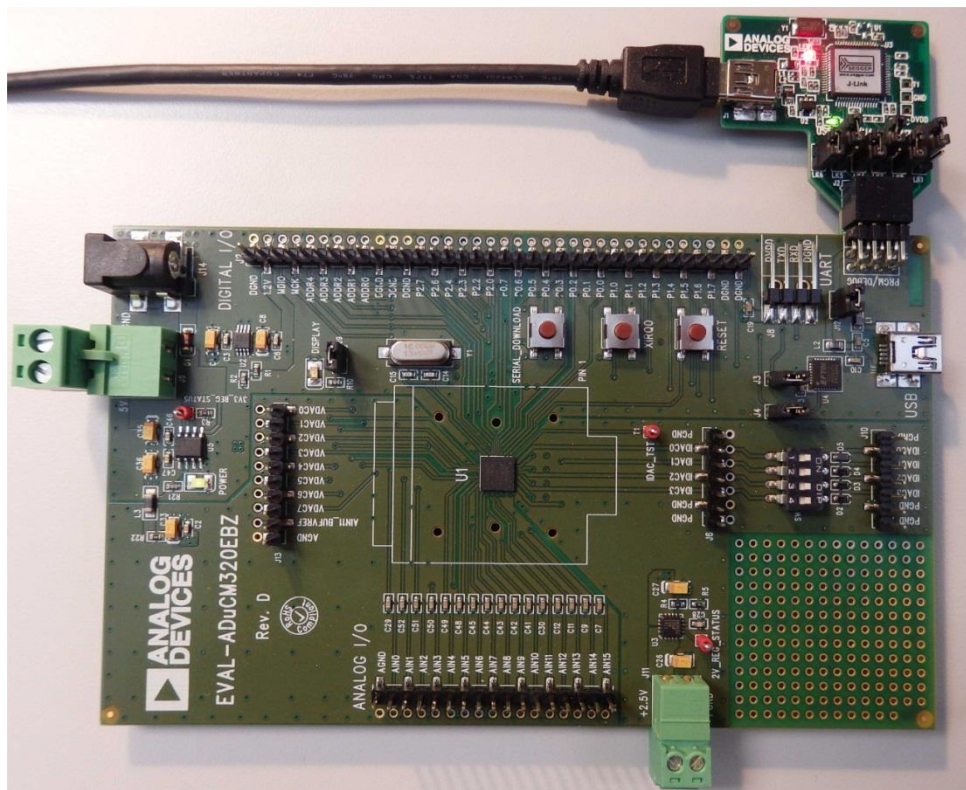


Figure 1. **EVAL-ADuCM320EBZ** Evaluation Board and Analog Devices J-Link OB Emulator

GETTING STARTED

SOFTWARE INSTALLATION PROCEDURES

Perform the steps described in this section before plugging any of the USB devices into the PC.

1. Close all open applications.
2. Insert the installation DVD into your DVD drive.
3. Double-click **ADuCM320.exe** and follow the on-screen instructions. A menu displays installation options as shown in Figure 2.

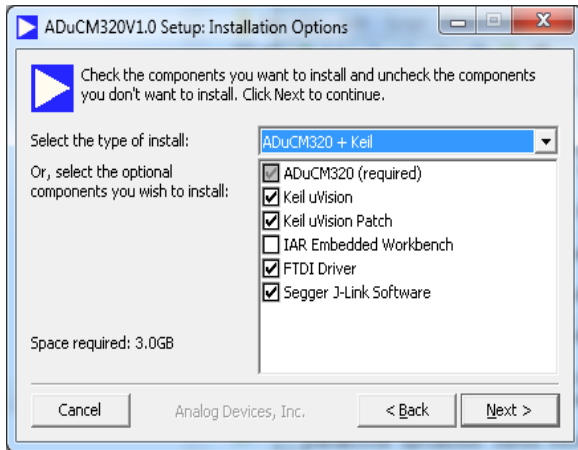


Figure 2. Installation Options

The following will be installed on your machine by default:

- FTDI drivers for the evaluation board.
- Example code and function sets for most peripherals.
- An **Elves.exe** application to easily choose functions from the provided function sets and then choose the function parameters.

The option will be presented to install the following:

- Keil development tools (compiler, debugger, programming tools). The revision used is V4.60. Analog Devices has added a patch to this revision of the MDK460 tools to support the [ADuCM320](#).
- IAR development tools (compiler, debugger, programming tools).
- Segger drivers. These are the drivers for the emulator.

The Segger J-Link software is selected by default in the installation menu. It is advised to leave it selected. This automatically installs the J-Link serial port driver. Select **Install USB Driver for J-Link-OB with CDC** as shown in Figure 3. If that step is missed, run **JLinkCDCInstaller_V1.2b.exe** located in the **ADuCM320\Segger** folder.

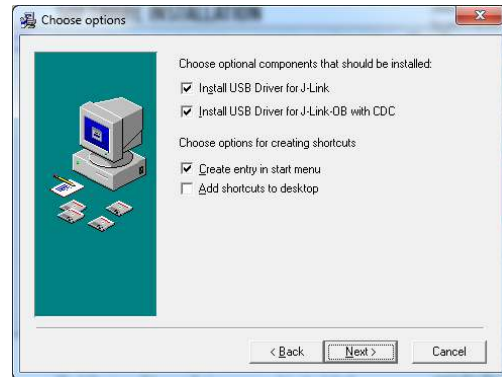


Figure 3. Installing Link Software

If the IAR tools are to be used, the entire contents of the supplied arm directory (for example, **C:\ADuCM320... \IAR\IAR_M320_Patch0.2.zip\arm**) must be copied to the IAR tools directory (for example, **C:\Program Files\IAR Systems\Embedded Workbench 6.5 Kickstart\arm**).

Future updates may be available from the Analog Devices [FTP](#) site.

KEIL μ VISION4

The μ Vision4 integrated development environment (IDE) integrates all the tools necessary to edit, assemble, and debug code. The fastest way to get up and running is to open an existing project by using the following steps:

1. In Keil μ Vision, select **Project > Open Project**.
2. Browse to the folder on the path where the ADuCM320 software was installed (such as, **C:\ADuCM320...**).
3. Open the file **DIO.uvproj** in the folder **code\ADuCM320\examples\DIO**. This will launch an example project.
4. Compile and download to the part.
5. To run the code press reset on the board or enter debug mode and then press **Run**.
6. When running, the red LED marked **DISPLAY** on the board will flash.

IAR EWARM

The EWARM integrated development environment (IDE) integrates all the tools necessary to edit, assemble, and debug code. The fastest way to get up and running is to open an existing workspace by using the following steps:

1. Open the IAR tools (from **C:\Program Files (x86)\IAR Systems\Embedded Workbench 6.5\common\binIarIdePm.exe**).
2. Within the IAR IDE, click **File > Open > workspace** and open a workspace provided (for example, **C:\ADuCM320...\code\ADuCM320\examples\DIO\DIO.eww**).
3. Compile and download to the part using **Project > Rebuild all** and then to **Project > Download Active application**.
4. Click **No** if a pop-up window about an unknown device appears.
5. To run the code press reset on the board or enter debug mode and then press **Go**.
6. When running, the red LED marked DISPLAY on the board will flash.

ELVES

Elves.exe is an application to easily choose functions from the provided function sets and then choose the function parameters. Elves can be integrated into the Keil and IAR tools under their tools menus. For instructions, run **Elves.exe** (for example, at **C:\ADuCM320...\Software Tools\Elves\Elves.exe**) and use the **F1** key or the **Help** button for further instructions.

EVALUATION BOARD SETUP PROCEDURES

Assembling the Hardware

Do not plug in the USB cable before the software is installed.

Connecting the Hardware

Use the following steps to connect the hardware:

1. Insert the USB cable provided between the PC and the J-Link OB emulator.
2. The red LED (LED1) will flash briefly until initialization of drivers is complete.
3. Driver installation details may appear on your screen—allow the installation of these drivers to complete as these provide a virtual communication port on your PC allowing the evaluation board to appear as a virtual serial communication port to the UART port of the **ADuCM320** device.

4. If the virtual serial communication port to the UART is to be used, then ensure Jumpers LK3 and LK5 are in place (see Figure 5). If the UART on J8 is to be used, then LK3 and LK5 must be removed to prevent contention.
5. Plug the 10-pin DIL connector of the J-Link OB emulator into the **EVAL-ADuCM320EBZ**.
6. To power up the evaluation board apply:
 - A voltage between 4 V and 5.5 V to J5 or
 - A voltage between 4.7 V and 6.2 V to J14
 The green POWER LED will turn on.

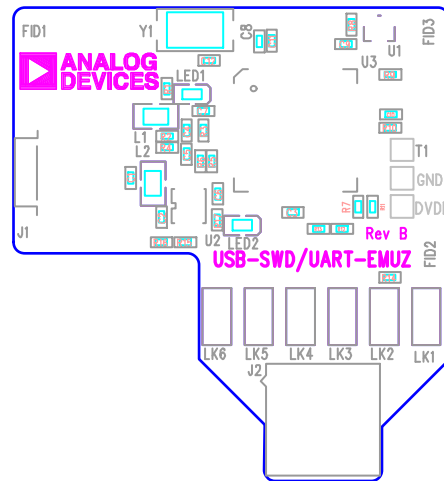
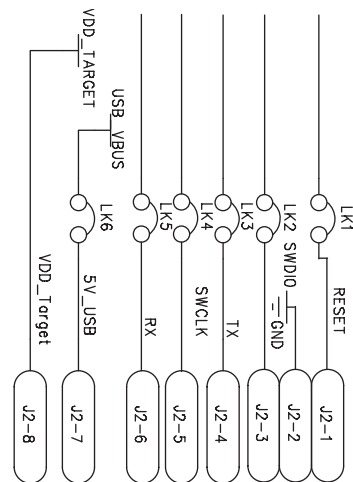


Figure 4. Emulator, Top View



TO MINIKIT BOARD CONNECTOR
Figure 5. J-Link OB Connection Details

REVISION HISTORY

6/14—Revision 0: Initial Version

**ESD Caution**

ESD (electrostatic discharge) sensitive device. Charged devices and circuit boards can discharge without detection. Although this product features patented or proprietary protection circuitry, damage may occur on devices subjected to high energy ESD. Therefore, proper ESD precautions should be taken to avoid performance degradation or loss of functionality.

Legal Terms and Conditions

By using the evaluation board discussed herein (together with any tools, components documentation or support materials, the "Evaluation Board"), you are agreeing to be bound by the terms and conditions set forth below ("Agreement") unless you have purchased the Evaluation Board, in which case the Analog Devices Standard Terms and Conditions of Sale shall govern. Do not use the Evaluation Board until you have read and agreed to the Agreement. Your use of the Evaluation Board shall signify your acceptance of the Agreement. This Agreement is made by and between you ("Customer") and Analog Devices, Inc. ("ADI"), with its principal place of business at One Technology Way, Norwood, MA 02062, USA. Subject to the terms and conditions of the Agreement, ADI hereby grants to Customer a free, limited, personal, temporary, non-exclusive, non-sublicensable, non-transferable license to use the Evaluation Board FOR EVALUATION PURPOSES ONLY. Customer understands and agrees that the Evaluation Board is provided for the sole and exclusive purpose referenced above, and agrees not to use the Evaluation Board for any other purpose. Furthermore, the license granted is expressly made subject to the following additional limitations: Customer shall not (i) rent, lease, display, sell, transfer, assign, sublicense, or distribute the Evaluation Board; and (ii) permit any Third Party to access the Evaluation Board. As used herein, the term "Third Party" includes any entity other than ADI, Customer, their employees, affiliates and in-house consultants. The Evaluation Board is NOT sold to Customer; all rights not expressly granted herein, including ownership of the Evaluation Board, are reserved by ADI. CONFIDENTIALITY. This Agreement and the Evaluation Board shall all be considered the confidential and proprietary information of ADI. Customer may not disclose or transfer any portion of the Evaluation Board to any other party for any reason. Upon discontinuation of use of the Evaluation Board or termination of this Agreement, Customer agrees to promptly return the Evaluation Board to ADI. ADDITIONAL RESTRICTIONS. Customer may not disassemble, decompile or reverse engineer chips on the Evaluation Board. Customer shall inform ADI of any occurred damages or any modifications or alterations it makes to the Evaluation Board, including but not limited to soldering or any other activity that affects the material content of the Evaluation Board. Modifications to the Evaluation Board must comply with applicable law, including but not limited to the RoHS Directive. TERMINATION. ADI may terminate this Agreement at any time upon giving written notice to Customer. Customer agrees to return to ADI the Evaluation Board at that time. LIMITATION OF LIABILITY. THE EVALUATION BOARD PROVIDED HEREUNDER IS PROVIDED "AS IS" AND ADI MAKES NO WARRANTIES OR REPRESENTATIONS OF ANY KIND WITH RESPECT TO IT. ADI SPECIFICALLY DISCLAIMS ANY REPRESENTATIONS, ENDORSEMENTS, GUARANTEES, OR WARRANTIES, EXPRESS OR IMPLIED, RELATED TO THE EVALUATION BOARD INCLUDING, BUT NOT LIMITED TO, THE IMPLIED WARRANTY OF MERCHANTABILITY, TITLE, FITNESS FOR A PARTICULAR PURPOSE OR NON-INFRINGEMENT OF INTELLECTUAL PROPERTY RIGHTS. IN NO EVENT WILL ADI AND ITS LICENSORS BE LIABLE FOR ANY INCIDENTAL, SPECIAL, INDIRECT, OR CONSEQUENTIAL DAMAGES RESULTING FROM CUSTOMER'S POSSESSION OR USE OF THE EVALUATION BOARD, INCLUDING BUT NOT LIMITED TO LOST PROFITS, DELAY COSTS, LABOR COSTS OR LOSS OF GOODWILL. ADI'S TOTAL LIABILITY FROM ANY AND ALL CAUSES SHALL BE LIMITED TO THE AMOUNT OF ONE HUNDRED US DOLLARS (\$100.00). EXPORT. Customer agrees that it will not directly or indirectly export the Evaluation Board to another country, and that it will comply with all applicable United States federal laws and regulations relating to exports. GOVERNING LAW. This Agreement shall be governed by and construed in accordance with the substantive laws of the Commonwealth of Massachusetts (excluding conflict of law rules). Any legal action regarding this Agreement will be heard in the state or federal courts having jurisdiction in Suffolk County, Massachusetts, and Customer hereby submits to the personal jurisdiction and venue of such courts. The United Nations Convention on Contracts for the International Sale of Goods shall not apply to this Agreement and is expressly disclaimed.

©2014 Analog Devices, Inc. All rights reserved. Trademarks and registered trademarks are the property of their respective owners.
UG12308-0-6/14(0)



www.analog.com