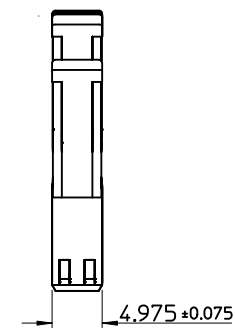
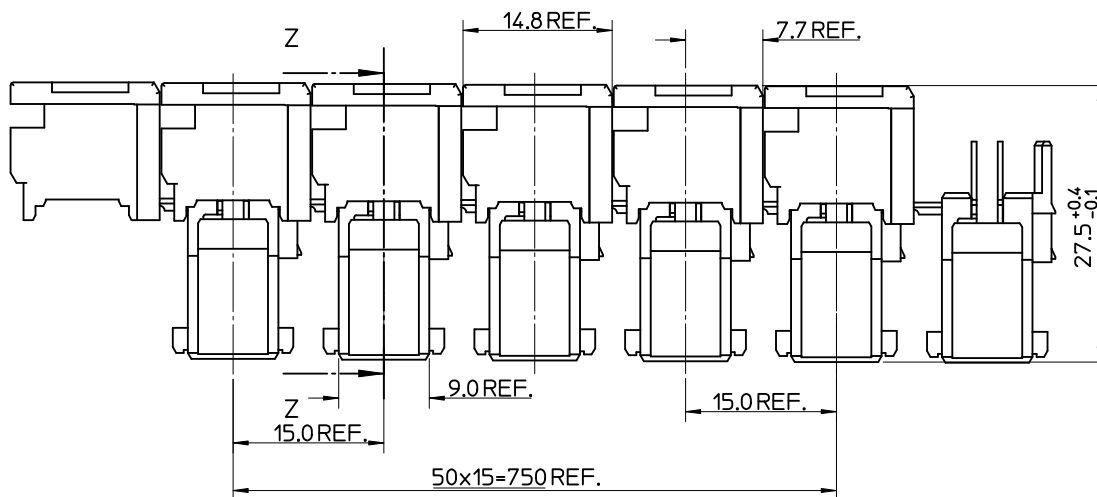
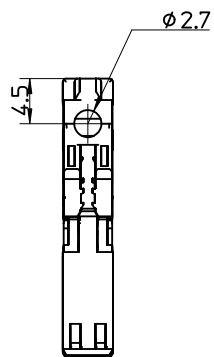
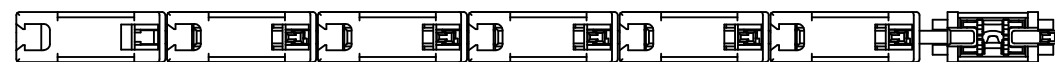
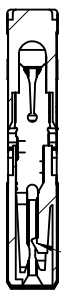


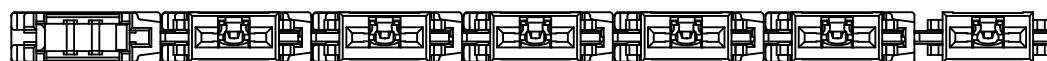
10 9 8 7 6 5 4 3 2 1



Z-Z



LOCKING TAB



NOTES:

1. MATERIALS:

HOUSING: PA66 UL94 V-0

TERMINAL: COPPER ALLOY, 0.5 REF THICK

PLATING: OPTION 1: 5um MIN PURE Sn ALL OVER

OPTION 2: 2um MIN SILVER IN CONTACT AREA

0.05um MIN SILVER FLASH ALLOWER

2. PRODUCT CONFORMS TO SPECIFICATION PS-99020-0037

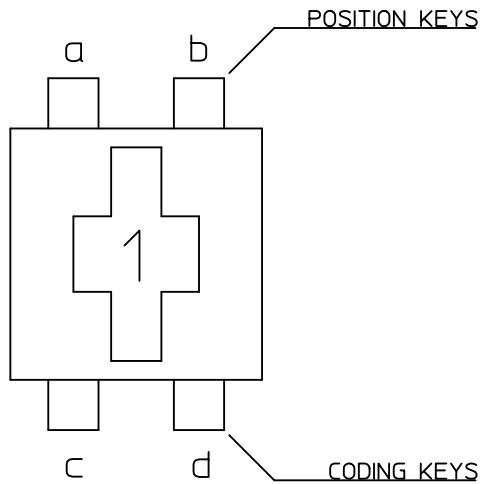
3. PACKAGING SPECIFICATION SEE SPEC PK-90833-001

4. REFER TO APPLICATION SPECIFICATION AS-99033-0004

changed plating spec EC NO: E2010-0213 DRWN: BRUTTLE 2010/01/08 CHKD: T. TOURISH 2010/01/19 APPR: BMAGUIRE 2010/01/19	DESCRIPTION REV	QUALITY SYMBOLS	GENERAL TOLERANCES (UNLESS SPECIFIED)		DIMENSION STYLE MM ONLY		SCALE 2:1	DESIGN UNITS METRIC	THIRD ANGLE PROJECTION	
		▽=0 ▽=0	mm INCH 4 PLACES ± --- ± --- 3 PLACES ± --- ± --- 2 PLACES ± 0.05 ± --- 1 PLACE ± 0.10 ± --- ANGULAR ± 2 °	DRAWN BY B. RUTTLE CHECKED BY T. TOURISH APPROVED BY BMAGUIRE	DATE 2009/03/03 DATE 2009/03/03 DATE 2009/03/03	TITLE 5MM APPLI-MATE 1CKT 10A FEMALE CONNECTOR V0 HWI HOUSING				
		DRAFT WHERE APPLICABLE MUST REMAIN WITHIN DIMENSIONS		SEE SHEET 2		MOLEX INCORPORATED DOCUMENT NO. SD-93213-001			SHEET NO. 1 OF 2	
		THIS DRAWING CONTAINS INFORMATION THAT IS PROPRIETARY TO MOLEX INCORPORATED AND SHOULD NOT BE USED WITHOUT WRITTEN PERMISSION								

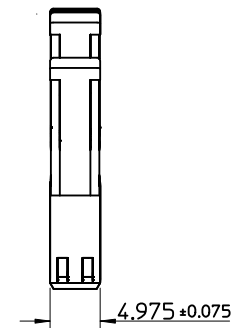
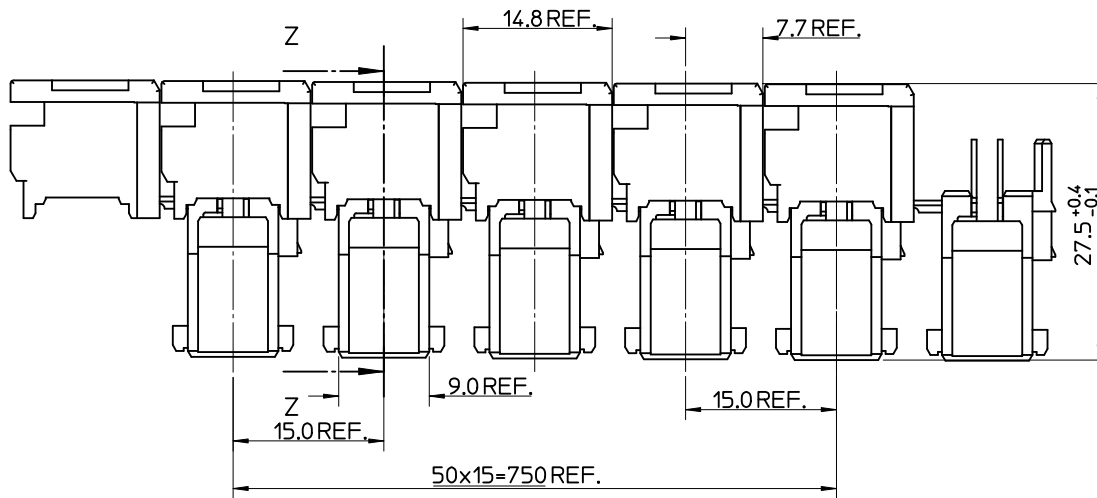
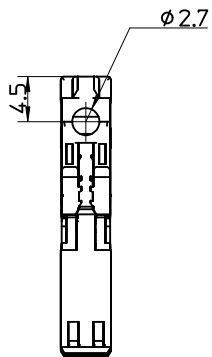
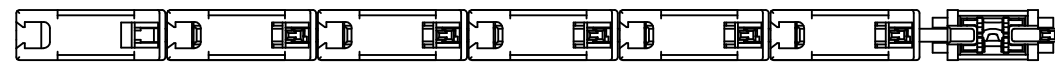
9 8 7 6 5 4 3 2 1

MOLEX PART NUMBER	TERMINAL (see note1 sheet1)	COLOUR	POSITION KEYS	CODING KEYS	CONFIGURATION	REF.
93213-0102	OPTION 1 (TIN)	BLACK	b	c d		K02
93213-3102	OPTION 2 (SILVER)					
93213-0103	OPTION 1 (TIN)	BLACK	NONE	NONE		K**
93213-3103	OPTION 2 (SILVER)					
93213-0104	OPTION 1 (TIN)	BLACK	NONE	c		K11
93213-3104	OPTION 2 (SILVER)					
93213-0105	OPTION 1 (TIN)	BLACK	a	c		K09
93213-3105	OPTION 2 (SILVER)					
93213-0106	OPTION 1 (TIN)	BLACK	a, b	c, d		K00
93213-3106	OPTION 2 (SILVER)					
93213-0107	OPTION 1 (TIN)	BLACK	a, b	d		K01
93213-3107	OPTION 2 (SILVER)					



POSITION & CODING KEYS IDENTIFICATION

SEE SHEET 1 EC NO: E2010-0213 DRWN:BRUTTLE 2010/01/08 CHKD:T. TOURISH 2010/01/19 APPR:BMAGUIRE 2010/01/19	QUALITY SYMBOLS	GENERAL TOLERANCES (UNLESS SPECIFIED)		DIMENSION STYLE MM ONLY		SCALE 2:1	DESIGN UNITS METRIC	THIRD ANGLE PROJECTION																											
	 	<table border="1"> <thead> <tr> <th></th> <th>mm</th> <th>INCH</th> </tr> </thead> <tbody> <tr> <td>4 PLACES</td> <td>± ---</td> <td>± ---</td> </tr> <tr> <td>3 PLACES</td> <td>± ---</td> <td>± ---</td> </tr> <tr> <td>2 PLACES</td> <td>± 0.05</td> <td>± ---</td> </tr> <tr> <td>1 PLACE</td> <td>± 0.10</td> <td>± ---</td> </tr> </tbody> </table>		mm	INCH	4 PLACES	± ---	± ---	3 PLACES	± ---	± ---	2 PLACES	± 0.05	± ---	1 PLACE	± 0.10	± ---	<table border="1"> <thead> <tr> <th>DRAWN BY</th> <th>DATE</th> </tr> </thead> <tbody> <tr> <td>B. RUTTLE</td> <td>2009/03/03</td> </tr> <tr> <th>CHECKED BY</th> <th>DATE</th> </tr> <tr> <td>T. TOURISH</td> <td>2009/03/03</td> </tr> <tr> <th>APPROVED BY</th> <th>DATE</th> </tr> <tr> <td>BMAGUIRE</td> <td>2009/03/03</td> </tr> </tbody> </table>	DRAWN BY	DATE	B. RUTTLE	2009/03/03	CHECKED BY	DATE	T. TOURISH	2009/03/03	APPROVED BY	DATE	BMAGUIRE	2009/03/03	TITLE		5MM APPLI-MATE 1CKT 10A FEMALE CONNECTOR V0 HWI HOUSING		
		mm	INCH																																
	4 PLACES	± ---	± ---																																
3 PLACES	± ---	± ---																																	
2 PLACES	± 0.05	± ---																																	
1 PLACE	± 0.10	± ---																																	
DRAWN BY	DATE																																		
B. RUTTLE	2009/03/03																																		
CHECKED BY	DATE																																		
T. TOURISH	2009/03/03																																		
APPROVED BY	DATE																																		
BMAGUIRE	2009/03/03																																		
DRAFT WHERE APPLICABLE MUST REMAIN WITHIN DIMENSIONS	MATERIAL NO. SEE CHART	MOLEX INCORPORATED DOCUMENT NO. SD-93213-001		SHEET NO. 2 OF 2																															



Z-Z



IDT TAKES 1.00mm²
CABLE SEE APPLICATION
SPECIFICATION AS-99033-0004

LOCKING TAB

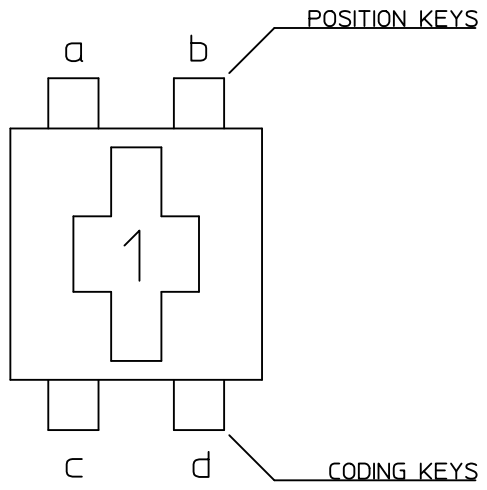


NOTES:

- MATERIALS:
HOUSING: PA66 UL94 V-0
TERMINAL: COPPER ALLOY, 0.5 REF THICK
PLATING: OPTION 1: 5um MIN PURE Sn ALL OVER
 OPTION 2: 2um MIN SILVER IN CONTACT AREA
 0.05um MIN SILVER FLASH ALLOVER
- PRODUCT CONFORMS TO SPECIFICATION PS-99020-0037
- PACKAGING SPECIFICATION SEE SPEC PK-90833-001
- REFER TO APPLICATION SPECIFICATION AS-99033-0004

ORIGINAL RELEASE EC NO: E2011-0085 DRWN: BRUTTLE 2010/08/30 CHKD: 2010/09/13 APPR: BMAGUIRE 2010/09/21	QUALITY SYMBOLS	GENERAL TOLERANCES (UNLESS SPECIFIED)		DIMENSION STYLE	SCALE	DESIGN UNITS	THIRD ANGLE PROJECTION	
	▼=0 ▽=0	mm	INCH	MM ONLY	2:1	METRIC		
		4 PLACES ± --- ± ---	3 PLACES ± --- ± ---	2 PLACES ± 0.05 ± ---	1 PLACE ± 0.10 ± ---	DRAWN BY: B. RUTTLE 2009/03/03 CHECKED BY: T. TOURISH 2009/03/03 APPROVED BY: BMAGUIRE 2009/03/03		
		ANGULAR ± 2 °		DRAFT WHERE APPLICABLE MUST REMAIN WITHIN DIMENSIONS		TITLE: 5MM APPLI-MATE 1CKT 12A FEMALE CONNECTOR V0 HWI HOUSING		
		SEE SHEET 2		MATERIAL NO. SD-93277-001		MOLEX INCORPORATED		
		SIZE A3		THIS DRAWING CONTAINS INFORMATION THAT IS PROPRIETARY TO MOLEX INCORPORATED AND SHOULD NOT BE USED WITHOUT WRITTEN PERMISSION				

MOLEX PART NUMBER	TERMINAL (see note1 sheet1)	COLOUR	POSITION KEYS	CODING KEYS	CONFIGURATION	REF.
93277-0102	OPTION 1 (TIN)	BLACK	b	c d		K02
93277-3102	OPTION 2 (SILVER)					
93277-0103	OPTION 1 (TIN)	BLACK	NONE	NONE		K**
93277-3103	OPTION 2 (SILVER)					
93277-0104	OPTION 1 (TIN)	BLACK	NONE	c		K11
93277-3104	OPTION 2 (SILVER)					
93277-0105	OPTION 1 (TIN)	BLACK	a	c		K09
93277-3105	OPTION 2 (SILVER)					
93277-0106	OPTION 1 (TIN)	BLACK	a, b	c, d		K00
93277-3106	OPTION 2 (SILVER)					
93277-0107	OPTION 1 (TIN)	BLACK	a, b	d		K01
93277-3107	OPTION 2 (SILVER)					



SEE SHEET 1 EC NO: E2011-0085 DRWN: BRUTTLE 2010/08/30 CHKD: 2010/09/13 APPR: BMAGUIRE 2010/09/21	QUALITY SYMBOLS	GENERAL TOLERANCES (UNLESS SPECIFIED)	DIMENSION STYLE	SCALE	DESIGN UNITS	THIRD ANGLE PROJECTION															
	$\blacktriangledown = 0$ $\triangleleft = 0$	<table border="1"> <thead> <tr> <th></th> <th>mm</th> <th>INCH</th> </tr> </thead> <tbody> <tr> <td>4 PLACES</td> <td>± ---</td> <td>± ---</td> </tr> <tr> <td>3 PLACES</td> <td>± ---</td> <td>± ---</td> </tr> <tr> <td>2 PLACES</td> <td>± 0.05</td> <td>± ---</td> </tr> <tr> <td>1 PLACE</td> <td>± 0.10</td> <td>± ---</td> </tr> </tbody> </table>		mm	INCH	4 PLACES	± ---	± ---	3 PLACES	± ---	± ---	2 PLACES	± 0.05	± ---	1 PLACE	± 0.10	± ---	MM ONLY	2:1	METRIC	
		mm	INCH																		
	4 PLACES	± ---	± ---																		
3 PLACES	± ---	± ---																			
2 PLACES	± 0.05	± ---																			
1 PLACE	± 0.10	± ---																			
DESCRIPTION	<table border="1"> <thead> <tr> <th>mm</th> <th>INCH</th> </tr> </thead> <tbody> <tr> <td colspan="2">ANGULAR ± 2 °</td> </tr> </tbody> </table>	mm	INCH	ANGULAR ± 2 °		<table border="1"> <thead> <tr> <th>DRAWN BY</th> <th>DATE</th> <th>TITLE</th> </tr> </thead> <tbody> <tr> <td>B. RUTTLE</td> <td>2009/03/03</td> <td rowspan="3">5MM APPLI-MATE 1CKT 12A FEMALE CONNECTOR V0 HWI HOUSING</td> </tr> <tr> <td>CHECKED BY</td> <td>DATE</td> </tr> <tr> <td>T. TOURISH</td> <td>2009/03/03</td> </tr> </tbody> </table>	DRAWN BY	DATE	TITLE	B. RUTTLE	2009/03/03	5MM APPLI-MATE 1CKT 12A FEMALE CONNECTOR V0 HWI HOUSING	CHECKED BY	DATE	T. TOURISH	2009/03/03	MOLEX INCORPORATED				
mm	INCH																				
ANGULAR ± 2 °																					
DRAWN BY	DATE	TITLE																			
B. RUTTLE	2009/03/03	5MM APPLI-MATE 1CKT 12A FEMALE CONNECTOR V0 HWI HOUSING																			
CHECKED BY	DATE																				
T. TOURISH	2009/03/03																				
REV	DRAFT WHERE APPLICABLE MUST REMAIN WITHIN DIMENSIONS	APPROVED BY BMAGUIRE 2009/03/03	MATERIAL NO. SEE CHART	DOCUMENT NO. SD-93277-001	SHEET NO. 2 OF 2																