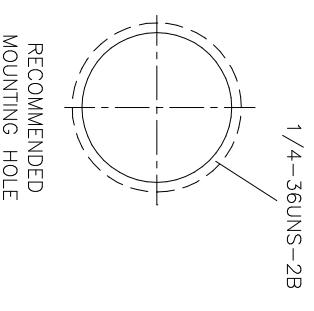
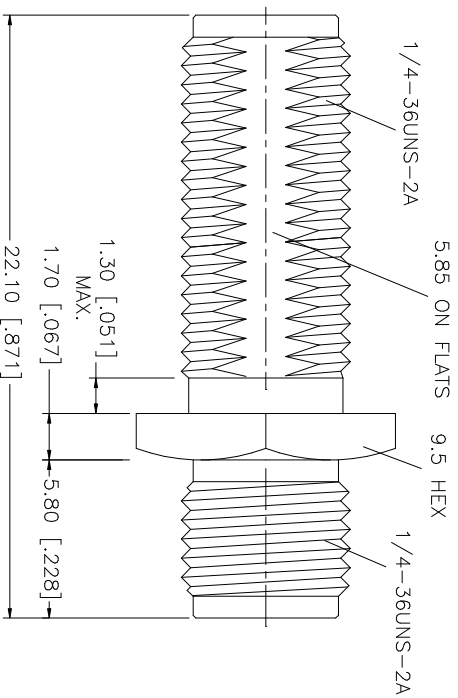
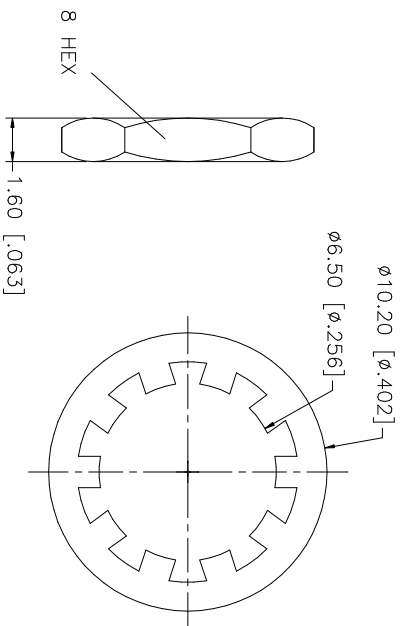
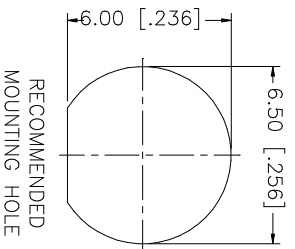


REV.	DATE	DESCRIPTION
C	04/08/01	ADD NOTES AND MOUNTING HOLE
D	04/31/03	UPDATE DRAWING FORMAT



- NOTES:
- MAX. PANEL THICKNESS = 6.5mm
MIN. PANEL THICKNESS = 2mm

UNLESS OTHERWISE SPECIFIED DIMENSIONS ARE IN MILLIMETERS DIMENSIONS IN [] ARE IN INCHES AND FOR CUSTOMER REFERENCE ONLY.	UNLESS OTHERWISE SPECIFIED TOLERANCES FOR MILLIMETERS ARE:	UNLESS OTHERWISE SPECIFIED TOLERANCES FOR INCHES ARE:	APPROVALS	DATE	PART DESCRIPTION
1	0.5 - 8mm ± 0.20mm	0.020 - .315 = ± 0.007"	DRAWN	04/31/03	<p>Amphenol Connex</p> <p>SMA BULKHEAD FEMALE TO FEMALE ADAPTOR</p>
2	8 - 30mm ± 0.40mm	.315 - 1.180 = ± 0.015"	CHECKED		
3	30 - 120mm ± 0.50mm	1.180 - 4.724 = ± 0.020"	ISSUED		
4			SHEET	1 OF 1	
5			CAD FILE		PART NO. 132170
6			DO NOT SCALE DRAWING		DWG. NO. 132170.DWG
7					REV. D
8					SIZE A
					SCALE NA

DESCRIPTION	MATERIAL	FINISH	QTY
1	BRASS	GOLD	1
2	TEFLON	NATURAL	1
3	BER. COPPER	GOLD	1
4	BRASS	GOLD	1
5	BRASS	GOLD	1
6			
7			
8			