

PRODUCT NUMBER

XXXXX-XYHX LFX

ADDITIONAL CODE  
(SEE NOTES 1)

LEAD FREE OPTION  
(SEE NOTES 1)

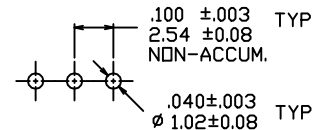
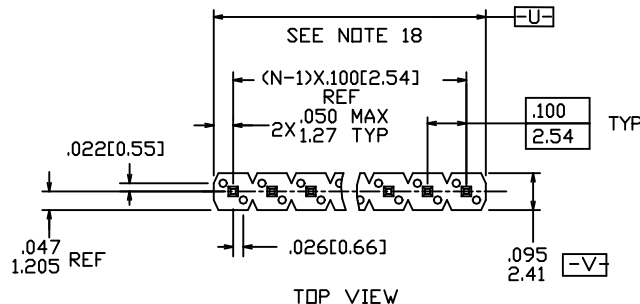
PACKAGING OPTIONS  
(SEE NOTE 1)

HIGH TEMPERATURE PLASTIC  
(SEE NOTE 1)

NO OF POSITIONS  
(SEE NOTE 1)

PIN PLATING  
(SEE SHEET 2)

BASE PART NO.



68000-X XX-XXX XXX LFX

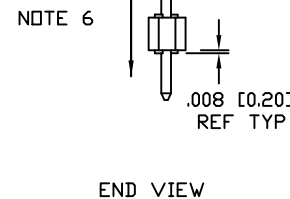
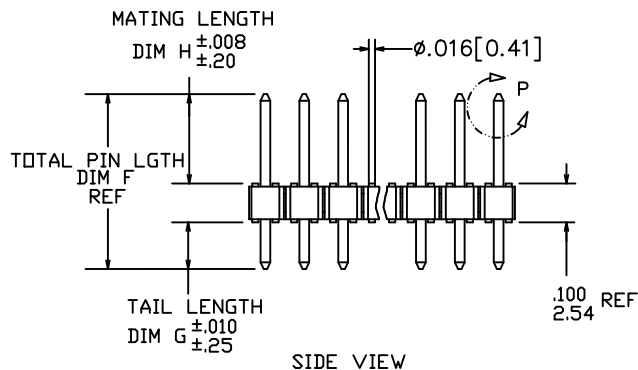
TAIL LENGTH (EXAMPLE BELOW)  
3.0mm=030 12.8mm=128 (SEE NOTE 15 & 16)

MATING LENGTH (EXAMPLE BELOW)  
5.0mm=050 25.5mm=255 (SEE NOTE 15 & 16)

TOTAL NUMBER OF POSITION FROM 2 THRU 36 POS. (SEE NOTE 1)

PIN PLATING (SEE NOTE 13)  
1=0.76µm Au  
4= PURE TIN  
8=0.36µm Au

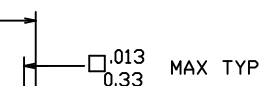
BASE PART NO.



ø.020/.51 M U M V S

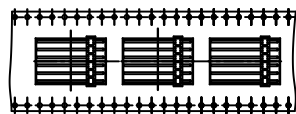
NOTE 4

.025±.001 TYP  
0.64±.03



DETAIL P  
TYP BOTH ENDS

USER DIRECTION



PACKAGE:  
ONLY FOR 68000-406160035ALF

mat'l. code NOTES 2 & 3				surface ISO 1302 ✓		tolerance ISO 406 ISO 1101		projection 		product family BERGSTIK	
ltr	ecr no	dr	date	tolerances unless otherwise specified				title BERGSTIK® II HEADER .100/2.54cc SR STRAIGHT		title	
DA	ELX-N-16105	ZK	2013-10-22	angles	linear	.XX±01/.X±.3	INCH/MM		sheet 1 of 8		
DB	ELX-N-17329	ZK	2014-03-27			.XXX±0.006/.XX±.15	scale 1:1		size A3		
DC	ELX-N-28578	MZ	2017-11-23	0±.2'		.XXX±0.0002/.XXX±.005			type Product Customer Drawing		
DD	ELX-N-35840	MZ	2020-01-08	dr	T.BREWBAKER	01/05/95					
DE	ELX-N-38872	MX	2020-11-04	enr	T.HANNA	01/05/95					
DF	ELX-N-39694	MX	2020-12-17	chr	J.MURPHY	01/05/95					
DG	TBD	JJ	2023-07-25	appd	T.HANNA	01/05/95					
sheet index	revision sheet	DG	DG	DG	DG	DG	DG	DG			
		1	2	3	4	5	6	7			

PIN PLATING CODES:

XXXX-1YY	30u"/0.76u MIN (SEE NOTE 13) OVER 50u"/1.27u MIN NI
XXXX-2YY	15u"/0.38u MIN (SEE NOTE 13) OVER 50u"/1.27u MIN NI
XXXX-3YY	50u"/1.27u MIN (SEE NOTE 13) OVER 50u"/1.27u MIN NI
XXXX-4YY	100u"/2.54u MIN Sn OVER 50u"/1.27u MIN NI (SEE NOTE 14)
XXXX-4YYHLF	
XXXX-5YY	15u"/0.38u MIN (SEE NOTE 13) OVER 50u"/1.27u MIN NI
XXXX-6YY	30u"/0.76u MIN (SEE NOTE 13) OVER 50u"/1.27u MIN NI
XXXX-7YY	30u"/0.76u MIN (SEE NOTE 13) OVER 50u"/1.27u MIN NI
XXXX-8YY	15u"/0.38u MIN (SEE NOTE 13) OVER 50u"/1.27u MIN NI
XXXX-9YY	15u"/0.38u MIN (SEE NOTE 13) OVER 50u"/1.27u MIN NI
XXXX-0YY	30u"/0.76u MIN (SEE NOTE 13) OVER 50u"/1.27u MIN NI

NOTES

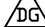
1. PART NUMBER OPTIONS:

PIN PLATING CODES (SEE ABOVE)

HIGH TEMP. MATERIAL:

PART NUMBERS WITH AND WITHOUT "H" WILL BE SUPPLIED WITH HIGH TEMPERATURE PLASTIC

NUMBER OF POSITIONS :

ANY NUMBER OF POSITIONS FROM 2 THRU 36.  -X00H INDICATES BERGSTRIIP PRODUCT. SEE PAGE 3 FOR SPECIAL GEOMETRY OF THIS CONTINUOUS STRIP PRODUCT. AUTOMATED REELS WILL CONTAIN 36,000 PINS. SEE SPECIFIC PART NUMBERS FOR AVAILABILITY.

PACKAGING :

- NONE =POLY BAGS WITHOUT PICK UP CAP
  - T =PACKAGED IN TUBES
  - C =PACKAGED IN TUBE WITH PICK UP CAP
  - A =PACKAGED IN TAPE AND REEL WITH PICK UP CAP
  - D =PACKAGED IN TAPE AND REEL WITHOUT PICK UP CAP
  - E =PACKAGED IN TAPE AND REEL WITH NARROW PICK UP CAP
- BERGSTRIIP™ PART NUMBERS FOLLOWED BY A "B" ARE BULK PRICED.

LEAD FREE :

ADD "LF" SUFFIX AT THE END OF PART NUMBER FOR LEAD FREE

ADDITIONAL CODE :

- NONE = GENERAL TAIL LENGTH AND MATING LENGTH
- R = REVERSE THE TAIL LENGTH AND MATING LENGTH

2. BODY MATERIAL :

BERGSTIK: MANUFACTURER'S OPTION OF NYLON, PCT GLASS FIBER REINFORCED, OR LCP MINERAL FILLED FLAME RETARDANT PER UL-94V-0. COLOR : BLACK  
BERGSTRIIP™ PRODUCED WITH HIGH TEMPERATURE LCP THERMOPLASTIC, FLAME RETARDANT PER UL-94V-0. COLOR : BLACK

PART NUMBERS WITH AND WITHOUT "H" SUFFIX WILL WITHSTAND EXPOSURE TO 260°C PEAK TEMPERATURE FOR 20 SECONDS IN WAVE SOLDER, INFRA-RED OR VAPOR PHASE SOLDER PROCESS.

3. PIN MATERIAL : PHOS-BRONZE.

4. MEASURED WITH PART IN RESTRAINED CONDITION.

5. TWO SIDES OF PIN TIPS NOT PLATED. TYPICAL BOTH ENDS.

6. 2LBS/0.9KG MIN PIN RETENTION IN EITHER DIRECTION.

7. PIN CANNOT PROTRUDE PAST EDGE OF HOUSING. MUST BE .005±.005/.13±.13 FROM END OF HOUSING HOLE.

8. MILITARY BERGSTIK HEADER  
P/N XXXXX-YYY-MIL.  
NOT AVAILABLE.

9. ±.010/0.25 TOL APPLIES TO ALL "G" TAILS EXCEPT INDICATED PARTS ON TABLE WHERE +.010/0.25 -.000/0.00 APPLIES.

10. INDICATED PART NUMBERS ARE PRODUCED AND SOLD IN THE TAIWAN/SINGAPORE AREAS. THESE ARE NOT AVAILABLE IN BERGSTRIIP™ CONTINUOUS STRIP.

11. NOTCH CONFIGURATION WILL VARY PER VENDOR'S DISCRETION.

12. THESE PRODUCTS MEETS EUROPEAN UNION DIRECTIVES AND OTHER COUNTRY REGULATION AS DESCRIBED IN GS-22-008.

13. PLATING OPTIONS:

PERFORMANCE PLATING WILL BE EITHER GOLD OR GXT ON POST OR TAIL, OPTIONALLY (78~295u"/2~7.5u) TIN ON TAIL.

14. "THIS PRODUCT HAS 100% TIN PLATING IN THE INTERFACE AND HAS NOT BEEN TESTED FOR WHISKER GROWTH IN ALL INTERCONNECT ENVIRONMENTS."

15. THE TOTAL PIN LGTH DON'T EXCEED 34.5mm

16. INCREMENTS BY 0.1mm IN LENGTHS ONLY

17. THE TOTAL PIN LENGTH <10mm OR >37mm PRODUCT HAS TIN PLATING OR GOLD PLATING OVER ALL. THE OTHERS HAS GOLD OR TIN PLATING ON CONTACT AREA AND TIN PLATING ON TAIL.

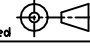
18. FOR SPECIAL PACKAGING REQUEST PLEASE CONTACT PRODUCT MANAGER FOR AVAILABILITY

19. TO DETERMINE DIMENSIONS:

N=NUMBER OF POSITION PER ROW

EXAMPLE: 10 PDS. N X .100/2.54, REFERENCE DIMENSION

20. 68000-406160035ALF IS SPECIAL PART NUMBER, IT IS 6PIN, MATING LENGTH IS 16mm. TAIL LENGTH IS 3.5mm. AND PACKAGE IS TAPE AND REEL AND NO CAP.

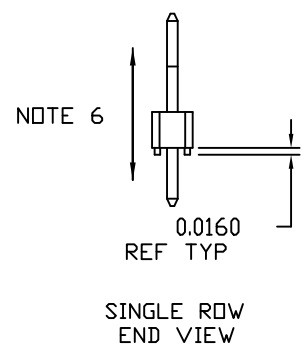
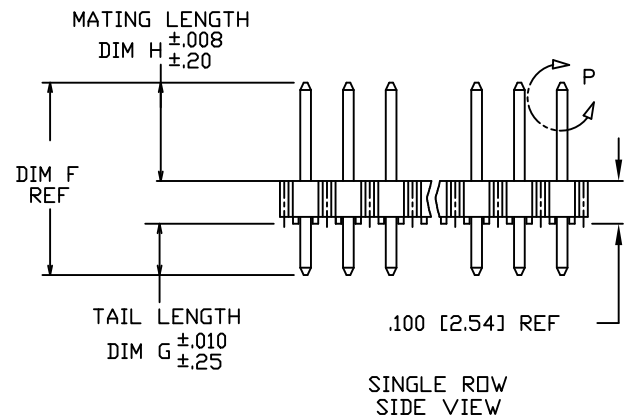
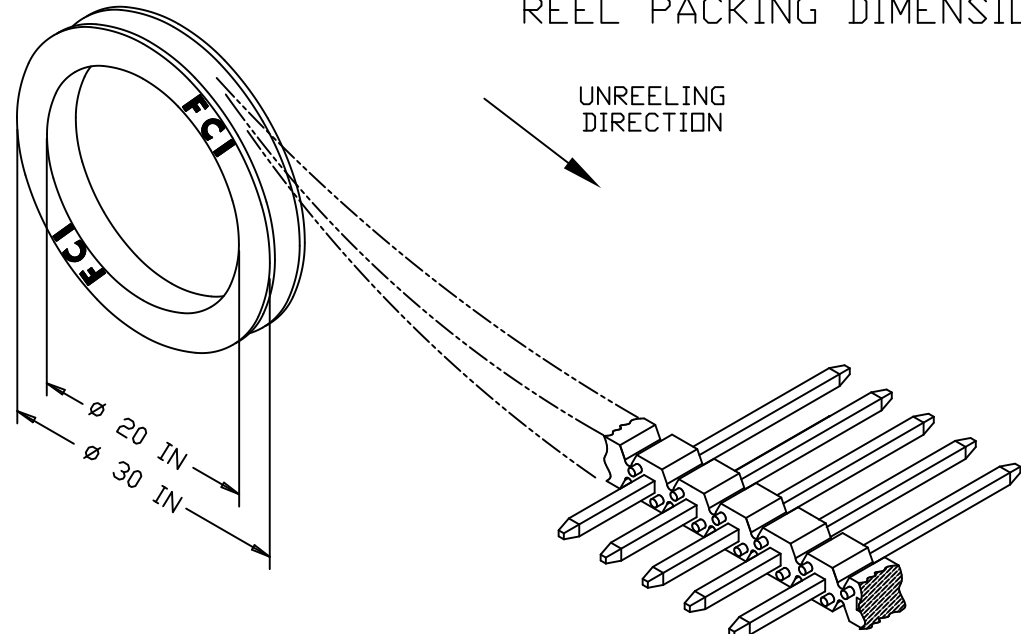
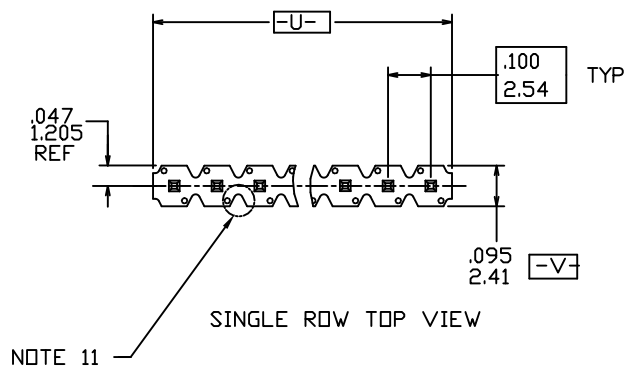
mat'l. code		surface		tolerance		projection		product family	
NOTES 2 & 3		ISD 1302 ✓		ISD 406 ISD 1101				BERGSTIK	
ltr		ecn no		dr		date		title	
DG								BERGSTIK® II HEADER	
								.100/2.54cc SR STRAIGHT	
								dwg no	
								sheet 2 of 8	
								size	
								A3	
								type Product Customer Drawing	
sheet		revision							
index		sheet							

Amphenol FCI

© 2016 AFCI

BERGSTRIK™ HEADER

REEL PACKING DIMENSIONS



mat'l. code NOTES 2 & 3		surface ISD 1302 ✓	tolerance ISD 406 ISD 1101	projection 	product family BERGSTIK
ltr	ecn no	dr	date	tolerances unless otherwise specified	title BERGSTIK® II HEADER .100/2.54cc SR STRAIGHT
DG				angles linear 0°±2'	INCH/MM scale 1:1
		dr	T.BREWBAKER	01/05/95	dwg no 68000
		enr	T.HANNA	01/05/95	sheet 3 of 8 A3
		chr	J.MURPHY	01/05/95	type Product Customer Drawing
		appd	T.HANNA	01/05/95	
sheet index	revision sheet				

Amphenol FCI

© 2016 AFCI

PRODUCT NUMBER	TOTAL PIN LGTH		TAIL LENGTH		MATING LENGTH		PACKAGING	NOTES	BERGSTIP™ AVAILABLE	LF OPTION
	DIM F	DIM F	DIM G	DIM G	DIM H	DIM H				
	ENGLISH	METRIC	ENGLISH	METRIC	ENGLISH	METRIC				
55492-XYH	0.315	8.00	0.095	2.41	0.120	3.05	POLY BAGS	-	NO	QB
60017-XYH	0.620	15.75	0.210	5.33	0.310	7.87	POLY BAGS	-	NO	QB
60018-XYH	0.660	16.76	0.250	6.35	0.310	7.87	POLY BAGS	-	NO	QB
63334-XYH	0.435	11.05	0.095	2.41	0.240	6.10	POLY BAGS	-	NO	QB
68000-XY	0.425	10.80	0.095	2.41	0.230	5.84	POLY BAGS	-	YES	NOTE 1,12
68001-XY	0.450	11.43	0.120	3.05	0.230	5.84	POLY BAGS/TUBES	-	YES	
68002-XY	0.480	12.19	0.150	3.81	0.230	5.84	POLY BAGS	-	YES	
68003-XY	0.525	13.34	0.195	4.95	0.230	5.84	POLY BAGS	-	NO	QB
68004-XY	0.525	13.34	0.107	2.72	0.318	8.08	POLY BAGS	-	YES	
68024-XY	0.568	14.43	0.150	3.81	0.318	8.08	POLY BAGS	-	YES	
68031-XY	0.513	13.03	0.183	4.65	0.230	5.84	POLY BAGS	-	NO	
68032-XY	0.543	13.79	0.213	5.41	0.230	5.84	POLY BAGS	-	NO	QB
68033-XY	0.708	17.98	0.473	12.01	0.135	3.43	POLY BAGS	-	NO	
68415-XY	0.615	15.62	0.115	2.92	0.400	10.16	POLY BAGS	-	NO	
68416-XY	0.813	20.65	0.483	12.27	0.230	5.84	POLY BAGS	-	NO	
68418-XY	0.730	18.54	0.400	10.16	0.230	5.84	POLY BAGS	-	NO	
68422-XY	0.631	16.03	0.213	5.41	0.318	8.08	POLY BAGS	-	NO	
68443-XY	0.755	19.18	0.425	10.80	0.230	5.84	POLY BAGS	-	NO	QB
68456-XY	0.825	20.96	0.115	2.92	0.610	15.49	POLY BAGS	-	NO	QB
68457-XY	0.548	13.92	0.130	3.30	0.318	8.08	POLY BAGS	-	NO	
68465-XY	0.925	23.50	0.595	15.11	0.230	5.84	POLY BAGS	-	NO	QB
68466-XY	0.925	23.50	0.128	3.25	0.697	17.70	POLY BAGS	-	NO	
68472-XY	0.913	23.19	0.413	10.49	0.400	10.16	POLY BAGS	-	NO	QB
68479-XY	0.718	18.24	0.388	9.86	0.230	5.84	POLY BAGS	-	NO	QB
68483-XY	0.835	21.21	0.417	10.59	0.318	8.08	POLY BAGS	-	NO	QB
68487-XY	0.705	17.91	0.110	2.79	0.495	12.57	POLY BAGS	-	NO	QB
68489-XY	1.095	27.81	0.765	19.43	0.230	5.84	POLY BAGS	-	NO	QB
68490-XY	1.025	26.04	0.695	17.65	0.230	5.84	POLY BAGS	-	NO	QB
68497-XY	0.612	15.54	0.085	2.16	0.427	10.85	POLY BAGS	-	NO	
68603-XY	0.555	14.10	0.120	3.05	0.335	8.51	POLY BAGS	-	NO	
68604-XY	0.600	15.24	0.120	3.05	0.380	9.65	POLY BAGS	-	NO	NOTE 1,12

Amphenol FCI

© 2016 AFCI

mat'l. code NOTES 2 & 3		surface ISO 1302 ✓	tolerance ISO 406 ISO 1101	projection 	product family BERGSTIK
ltr	ecn no	dr	date	tolerances unless otherwise specified	title BERGSTIK® II HEADER .100/2.54cc SR STRAIGHT
DF				angles linear .XX±0.1/.X±.3 .XXX±0.006/.XX±.15 .XXXX±0.0002/.XXX±.005	INCH/MM scale 1:1
		dr	T.BREWBAKER	01/05/95	dwg no 68000
		enr	T.HANNA	01/05/95	sheet 4 of 8
		chr	J.MURPHY	01/05/95	size A3
		appd	T.HANNA	01/05/95	type Product Customer Drawing
sheet index	revision sheet				

Amphenol FCI  
 © 2016 AFCI  
 D

PRODUCT NUMBER	TOTAL PIN LGTH		TAIL LENGTH		MATING LENGTH		BERGSTRIPTM		LF OPTION	
	DIM F	DIM F	DIM G	DIM G	DIM H	DIM H	AVAILABLE			
	ENGLISH	METRIC	ENGLISH	METRIC	ENGLISH	METRIC	PACKAGING	NOTES		
<del>68629</del> -XYY	<del>0.621</del>	<del>15.77</del>	<del>0.203</del>	<del>5.16</del>	<del>0.318</del>	<del>8.08</del>	<del>POLY BAGS</del>	<del>-</del>	<del>NO</del>	OB
<del>68630</del> -XYY	<del>0.603</del>	<del>15.32</del>	<del>0.273</del>	<del>6.93</del>	<del>0.230</del>	<del>5.84</del>	<del>POLY BAGS</del>	<del>-</del>	<del>NO</del>	OB
<del>68631</del> -XYY	<del>0.703</del>	<del>17.86</del>	<del>0.203</del>	<del>5.16</del>	<del>0.400</del>	<del>10.16</del>	<del>POLY BAGS</del>	<del>-</del>	<del>NO</del>	OB
<del>68632</del> -XYY	<del>0.743</del>	<del>18.87</del>	<del>0.413</del>	<del>10.49</del>	<del>0.230</del>	<del>5.84</del>	<del>POLY BAGS</del>	<del>-</del>	<del>NO</del>	OB
68633-XYY	0.643	16.33	0.225	5.72	0.318	8.08	POLY BAGS	-	NO	NOTE 1,12
<del>68634</del> -XYY	<del>1.013</del>	<del>25.73</del>	<del>0.683</del>	<del>17.35</del>	<del>0.230</del>	<del>5.84</del>	<del>POLY BAGS</del>	<del>-</del>	<del>NO</del>	OB
<del>68642</del> -XYY	<del>0.913</del>	<del>23.19</del>	<del>0.583</del>	<del>14.81</del>	<del>0.230</del>	<del>5.84</del>	<del>POLY BAGS</del>	<del>-</del>	<del>NO</del>	OB
<del>68652</del> -XYY	<del>1.470</del>	<del>37.34</del>	<del>0.670</del>	<del>17.02</del>	<del>0.700</del>	<del>17.78</del>	<del>POLY BAGS</del>	<del>-</del>	<del>NO</del>	OB
68653-XYY	0.735	18.67	0.095	2.41	0.540	13.72	POLY BAGS	-	NO	
<del>68654</del> -XYY	<del>1.050</del>	<del>26.67</del>	<del>0.670</del>	<del>17.02</del>	<del>0.280</del>	<del>7.11</del>	<del>POLY BAGS</del>	<del>-</del>	<del>NO</del>	OB
68655-XYY	0.708	17.98	0.290	7.37	0.318	8.08	POLY BAGS	-	NO	
<del>68656</del> -XYY	<del>1.113</del>	<del>28.27</del>	<del>0.613</del>	<del>15.57</del>	<del>0.400</del>	<del>10.16</del>	<del>POLY BAGS</del>	<del>-</del>	<del>NO</del>	OB
68657-XYY	0.588	14.94	0.368	9.35	0.120	3.05	POLY BAGS	-	NO	
<del>68658</del> -XYY	<del>0.820</del>	<del>20.83</del>	<del>0.130</del>	<del>3.30</del>	<del>0.590</del>	<del>14.99</del>	<del>POLY BAGS</del>	<del>-</del>	<del>NO</del>	OB
<del>68659</del> -XYY	<del>0.608</del>	<del>15.44</del>	<del>0.398</del>	<del>10.11</del>	<del>0.110</del>	<del>2.79</del>	<del>POLY BAGS</del>	<del>-</del>	<del>NO</del>	OB
<del>68686</del> -XYY	<del>1.016</del>	<del>25.81</del>	<del>0.458</del>	<del>11.63</del>	<del>0.458</del>	<del>11.63</del>	<del>POLY BAGS</del>	<del>-</del>	<del>NO</del>	OB
<del>68689</del> -XYY	<del>0.913</del>	<del>23.19</del>	<del>0.213</del>	<del>5.41</del>	<del>0.600</del>	<del>15.24</del>	<del>POLY BAGS</del>	<del>-</del>	<del>NO</del>	OB
68705-XYY	0.395	10.03	0.095	2.41	0.200	5.08	POLY BAGS	-	NO	
68717-XYY	0.615	15.62	0.285	7.24	0.230	5.84	POLY BAGS	-	NO	
<del>68730</del> -XYY	<del>0.555</del>	<del>14.10</del>	<del>0.225</del>	<del>5.72</del>	<del>0.230</del>	<del>5.84</del>	<del>POLY BAGS</del>	<del>-</del>	<del>NO</del>	OB
<del>68731</del> -XYY	<del>0.880</del>	<del>22.35</del>	<del>0.440</del>	<del>11.18</del>	<del>0.340</del>	<del>8.64</del>	<del>POLY BAGS</del>	<del>-</del>	<del>NO</del>	OB
<del>68735</del> -XYY	<del>1.016</del>	<del>25.81</del>	<del>0.520</del>	<del>13.21</del>	<del>0.396</del>	<del>10.06</del>	<del>POLY BAGS</del>	<del>-</del>	<del>NO</del>	OB
<del>68755</del> -XYY	<del>1.166</del>	<del>29.62</del>	<del>0.533</del>	<del>13.54</del>	<del>0.533</del>	<del>13.54</del>	<del>POLY BAGS</del>	<del>-</del>	<del>NO</del>	OB
<del>68760</del> -XYY	<del>0.803</del>	<del>20.40</del>	<del>0.353</del>	<del>8.97</del>	<del>0.350</del>	<del>8.89</del>	<del>POLY BAGS</del>	<del>-</del>	<del>NO</del>	OB
<del>68762</del> -XYY	<del>0.588</del>	<del>14.94</del>	<del>0.213</del>	<del>5.41</del>	<del>0.275</del>	<del>6.99</del>	<del>POLY BAGS</del>	<del>-</del>	<del>NO</del>	OB
68771-XYY	0.470	11.94	0.100	2.54	0.270	6.86	POLY BAGS	-	NO	NOTE 1,12
<del>68781</del> -XYY	<del>0.691</del>	<del>17.55</del>	<del>0.273</del>	<del>6.93</del>	<del>0.318</del>	<del>8.08</del>	<del>POLY BAGS</del>	<del>-</del>	<del>NO</del>	OB

mat'l. code		surface	tolerance	projection	product family
NOTES 2 & 3		ISD 1302 ✓	ISD 406 ISD 1101		BERGSTIK
ltr	ecn no	dr	date	title	
DG				BERGSTIK® II HEADER	
				.100/2.54cc SR STRAIGHT	
				scale 1:1	dwg no
					sheet 5 of 8
					size
					A3
					type Product Customer Drawing
sheet index	revision sheet				

mat'l. code		surface	tolerance	projection	product family
NOTES 2 & 3		ISD 1302 ✓	ISD 406 ISD 1101		BERGSTIK
ltr	ecn no	dr	date	title	
DG				BERGSTIK® II HEADER	
				.100/2.54cc SR STRAIGHT	
				scale 1:1	dwg no
					sheet 5 of 8
					size
					A3
					type Product Customer Drawing
sheet index	revision sheet				

PRODUCT NUMBER	TOTAL PIN LGTH		TAIL LENGTH		MATING LENGTH		BERGSTRIPTM		LF OPTION	
	DIM F	DIM F	DIM G	DIM G	DIM H	DIM H	AVAILABLE			
	ENGLISH	METRIC	ENGLISH	METRIC	ENGLISH	METRIC	PACKAGING	NOTES		
<del>68795</del> -XYY	0.500	12.70	0.062	1.57	0.338	8.59	POLY BAGS	-	NO	OB
<del>68796</del> -XYY	0.633	16.08	0.423	10.74	0.110	2.79	POLY BAGS	-	NO	OB
68797-XYY	0.413	10.49	0.213	5.41	0.100	2.54	PE BAG/TAPE&REEL	-	NO	NOTE 1,12
68797-XYYR	0.413	10.49	0.100	2.54	0.213	5.41	PE BAG/TAPE&REEL	-	NO	NOTE 1,12
<del>69148</del> -XYY	0.442	11.43	0.000	0.00	0.350	8.89	POLY BAGS	-	NO	OB
<del>69152</del> -XYY	0.720	18.29	0.120	3.05	0.500	12.70	POLY BAGS/TUBES	-	NO	OB
69173-XYY	0.530	13.46	0.135	3.43	0.295	7.49	POLY BAGS	-	NO	
69188-XYY	0.751	19.08	0.333	8.46	0.318	8.08	POLY BAGS	-	NO	
<del>69751</del> -XYY	0.440	11.18	0.170	4.32	0.170	4.32	POLY BAGS	NOTE 10	NO	OB
<del>71417</del> -XYY	0.664	16.87	0.115	2.92	0.449	11.40	POLY BAGS	NOTE 10	NO	OB
72260-XYYH	0.930	23.62	0.090	2.29	0.740	18.80	POLY BAGS	-	NO	OB
<del>72323</del> -XYYH	1.200	30.48	0.100	2.54	1.000	25.40	POLY BAGS	-	NO	OB
<del>72457</del> -XYYH	1.100	27.94	0.090	2.29	0.910	23.11	POLY BAGS	-	NO	OB
73698-XYYH	1.100	27.94	0.120	3.05	0.880	22.35	POLY BAGS	-	NO	
<del>74464</del> -XYYH	1.028	26.11	0.610	15.49	0.318	8.08	POLY BAGS	-	NO	OB
<del>78240</del> -XYY	0.663	16.84	0.333	8.46	0.230	5.84	POLY BAGS	-	NO	OB
<del>78287</del> -XYY	0.678	17.22	0.120	3.05	0.458	11.63	POLY BAGS	-	NO	OB
78290-XYY	1.250	31.75	0.500	12.70	0.650	16.51	POLY BAGS	-	NO	
78511-XYY	0.538	13.67	0.120	3.05	0.318	8.08	POLY BAGS/TUBES	-	YES	
78595-XYY			NOT AVAILABLE					-	-	
78931-XYY			NOT AVAILABLE					-	-	
78958-XYY			NOT AVAILABLE					-	-	
78959-XYY			NOT AVAILABLE					-	-	
78977-XYY			NOT AVAILABLE					-	-	
78998-XYY	0.430	10.92	0.155	3.94	0.175	4.45	POLY BAGS	-	NO	
78999-XYY			NOT AVAILABLE					-	-	NOTE 1,12
<del>79428</del> -XYY	0.695	17.65	0.120	3.05	0.475	12.07	POLY BAGS	-	NO	OB
<del>79849</del> -XYY	0.620	15.75	0.120	3.05	0.400	10.16	POLY BAGS	-	NO	OB

Amphenol FCI

© 2016 AFCI

mat'l. code NOTES 2 & 3		surface ISD 1302 ✓	tolerance ISD 406 ISD 1101	projection 	product family BERGSTIK
ltr	ecn no	dr	date	tolerances unless otherwise specified	title BERGSTIK® II HEADER .100/2.54cc SR STRAIGHT
DG				angles linear .XX±01/.X±.3 .XXX±0.006/.XX±.15 .XXXX±0.0002/.XXX±.005	INCH/MM scale 1:1
		dr	T.BREWBAKER	01/05/95	dwg no 68000
		enr	T.HANNA	01/05/95	sheet 6 of 8
		chr	J.MURPHY	01/05/95	size A3
		appd	T.HANNA	01/05/95	type Product Customer Drawing
sheet index	revision sheet				

Amphenol FCI © 2016 AFCI

PRODUCT NUMBER	TOTAL PIN LGTH		TAIL LENGTH		MATING LENGTH		BERGSTRIPTM		LF OPTION	
	DIM F	DIM F	DIM G	DIM G	DIM H	DIM H	AVAILABLE			
	ENGLISH	METRIC	ENGLISH	METRIC	ENGLISH	METRIC	PACKAGING	NOTES		
<del>84918-XYH</del>	<del>0.340</del>	<del>8.64</del>	<del>0.120</del>	<del>3.05</del>	<del>0.120</del>	<del>3.05</del>	<del>POLY BAGS</del>	<del>-</del>	<del>YES</del>	OB
<del>84921-XYH</del>	<del>0.370</del>	<del>9.40</del>	<del>0.150</del>	<del>3.81</del>	<del>0.120</del>	<del>3.05</del>	<del>POLY BAGS</del>	<del>-</del>	<del>YES</del>	OB
<del>86506-XY</del>	<del>0.440</del>	<del>11.18</del>	<del>0.120</del>	<del>3.05</del>	<del>0.220</del>	<del>5.59</del>	<del>POLY BAGS</del>	<del>-</del>	<del>YES</del>	OB
<del>86579-XY</del>	<del>0.450</del>	<del>11.43</del>	<del>0.120</del>	<del>3.05</del>	<del>0.230</del>	<del>5.84</del>	<del>POLY BAGS</del>	<del>NOTE 9</del>	<del>NO</del>	OB
86634-XY		NOT AVAILABLE								NOTE 1,12
86635-XY		NOT AVAILABLE								
86636-XY		NOT AVAILABLE								
86637-XY		NOT AVAILABLE								
86638-XY		NOT AVAILABLE								
<del>86793-XY</del>	<del>0.900</del>	<del>22.86</del>	<del>0.100</del>	<del>2.54</del>	<del>0.700</del>	<del>17.78</del>	<del>POLY BAGS</del>	<del>NOTE 10</del>	<del>NO</del>	OB
<del>86899-XY</del>	<del>1.020</del>	<del>25.91</del>	<del>0.120</del>	<del>3.05</del>	<del>0.800</del>	<del>20.32</del>	<del>POLY BAGS</del>	<del>-</del>	<del>NO</del>	OB
87185-XY	1.238	31.45	0.095	2.41	1.043	26.49	POLY BAGS	NOTE 10	NO	
<del>87204-XY</del>	<del>0.895</del>	<del>22.73</del>	<del>0.120</del>	<del>3.05</del>	<del>0.675</del>	<del>17.15</del>	<del>POLY BAGS</del>	<del>-</del>	<del>NO</del>	OB
<del>87241-XY</del>	<del>1.000</del>	<del>25.40</del>	<del>0.120</del>	<del>3.05</del>	<del>0.780</del>	<del>19.81</del>	<del>POLY BAGS</del>	<del>-</del>	<del>NO</del>	OB
<del>87502-XYH</del>	<del>1.130</del>	<del>28.70</del>	<del>0.110</del>	<del>2.79</del>	<del>0.920</del>	<del>23.37</del>	<del>POLY BAGS</del>	<del>-</del>	<del>NO</del>	OB
87827-XY	0.380	9.65	0.120	3.05	0.160	4.06	POLY BAGS	-	NO	
87916-XY	1.058	26.87	0.128	3.25	0.830	21.08	POLY BAGS	-	NO	NOTE 1,12
88005-XY	0.536	13.61	0.095	2.41	0.341	8.66	POLY BAGS	NOTE 10	NO	OB
88706-XY	0.900	22.86	0.100	2.54	0.700	17.78	POLY BAGS	-	NO	OB
89232-XY	0.325	8.26	0.000	0.00	0.230	5.84	POLY BAGS	NOTE 7	NO	OB

mat'l. code NOTES 2 & 3		surface ISD 1302 ✓	tolerance ISD 406 ISD 1101	projection 	product family BERGSTIK
ltr	ecr no	dr	date	tolerances unless otherwise specified	title BERGSTIK® II HEADER .100/2.54cc SR STRAIGHT
DG				angles linear .XX±01/.X±3 .XXX±0.006/.XX±.15 .XXXX±0.0002/.XXX±.005	INCH/MM scale 1:1
		dr	T.BREWBAKER	01/05/95	dwg no 68000
		enr	T.HANNA	01/05/95	sheet 7 of 8
		chr	J.MURPHY	01/05/95	size A3
		appd	T.HANNA	01/05/95	type Product Customer Drawing
sheet index	revision sheet				

PRODUCT NUMBER	TOTAL PIN LGTH		TAIL LENGTH		MATING LENGTH		PACKAGING	NOTES	BERGSTRIK AVAILABLE	LF OPTION
	DIM F	DIM F	DIM G	DIM G	DIM H	DIM H				
	ENGLISH	METRIC	ENGLISH	METRIC	ENGLISH	METRIC				
90522-XXX	0.668	16.97	0.135	3.43	0.433	11.00	POLY BAGS	NOTE 10	NO	OB
90547-XXX	0.508	12.90	0.095	2.41	0.313	7.95	POLY BAGS	NOTE 10	NO	OB
90719-XXX	0.384	9.75	0.106	2.69	0.178	4.52	POLY BAGS	-	NO	
90726-XXX	0.440	11.18	0.110	2.79	0.230	5.84	POLY BAGS	-	YES	OB
91276-XXX	1.225	31.12	0.225	5.72	0.900	22.86	POLY BAGS	-	NO	NOTE 1,12
92020-XXX	0.372	9.45	0.094	2.39	0.178	4.52	POLY BAGS	-	NO	OB
92418-XXX	0.572	14.53	0.118	3.00	0.354	8.99	POLY BAGS	-	NO	OB
93167-XXX	0.394	10.01	0.059	1.50	0.235	5.97	POLY BAGS	-	NO	OB
93287-XXYH	0.585	14.86	0.085	2.16	0.400	10.16	POLY BAGS	-	NO	
93944-XXX	0.941	23.90	0.130	3.30	0.711	18.06	POLY BAGS	-	NO	
93992-XXYH	0.415	10.54	0.085	2.16	0.230	5.84	POLY BAGS	-	NO	
94063-XXX	0.376	9.55	0.138	3.51	0.138	3.51	POLY BAGS	NOTE 10	NO	
94094-XXX	0.592	15.04	0.314	7.98	0.178	4.52	POLY BAGS	-	NO	OB
94544-XXX	0.550	13.97	0.130	3.30	0.330	8.38	POLY BAGS	NOTE 10	NO	OB
94611-XXYH	0.320	8.13	0.095	2.41	0.125	3.18	POLY BAGS	-	NO	
95017-XXYH	0.560	14.22	0.060	1.52	0.400	10.16	POLY BAGS	-	NO	OB
95103-XXX	1.064	27.03	0.433	11.00	0.531	13.49	POLY BAGS	NOTE 10	NO	OB
95104-XXX	0.370	9.40	0.126	3.20	0.144	3.66	POLY BAGS	NOTE 10	NO	OB
95648-XXYH	0.655	16.64	0.155	3.94	0.400	10.16	POLY BAGS	-	NO	OB
95655-XXX	1.164	29.57	0.095	2.41	0.969	24.61	POLY BAGS	NOTE 10	NO	OB
98001-XXYH	0.610	15.49	0.420	10.67	0.090	2.29	POLY BAGS	-	NO	OB
98136-XXYH	0.475	12.07	0.095	2.41	0.280	7.11	POLY BAGS	-	NO	OB
10004394-XXYH	0.290	7.37	0.095	2.41	0.095	2.41	POLY BAGS	-	NO	OB
10076764-XXYH	0.479	12.19	0.114	2.9	0.265	6.75	POLY BAGS	-	YES	OB
10103017-XXX	0.335	8.51	0.130	3.30	0.105	2.67	POLY BAGS	-	NO	OB
10121349-XXX	0.626	15.9	0.120	3.05	0.406	10.3	POLY BAGS/TAPE REEL	-	NO	NOTE 1,12

Amphenol FCI

© 2016 AFCI

mat'l. code NOTES 2 & 3		surface ISD 1302 <input checked="" type="checkbox"/>	tolerance ISD 406 ISD 1101	projection 	product family BERGSTIK
ltr	ecr no	dr	date	tolerances unless otherwise specified	title BERGSTIK® II HEADER .100/2.54cc SR STRAIGHT
DG				angles linear .XX±0.1/.X±.3 .XXX±0.006/.XX±.15 .XXXX±0.0002/.XXX±.005	INCH/MM scale 1:1
		dr	T.BREWBAKER	01/05/95	dwg no 68000
		engr	T.HANNA	01/05/95	sheet 8 of 8
		chr	J.MURPHY	01/05/95	size A3
		appd	T.HANNA	01/05/95	type Product Customer Drawing
sheet index	revision sheet				

D