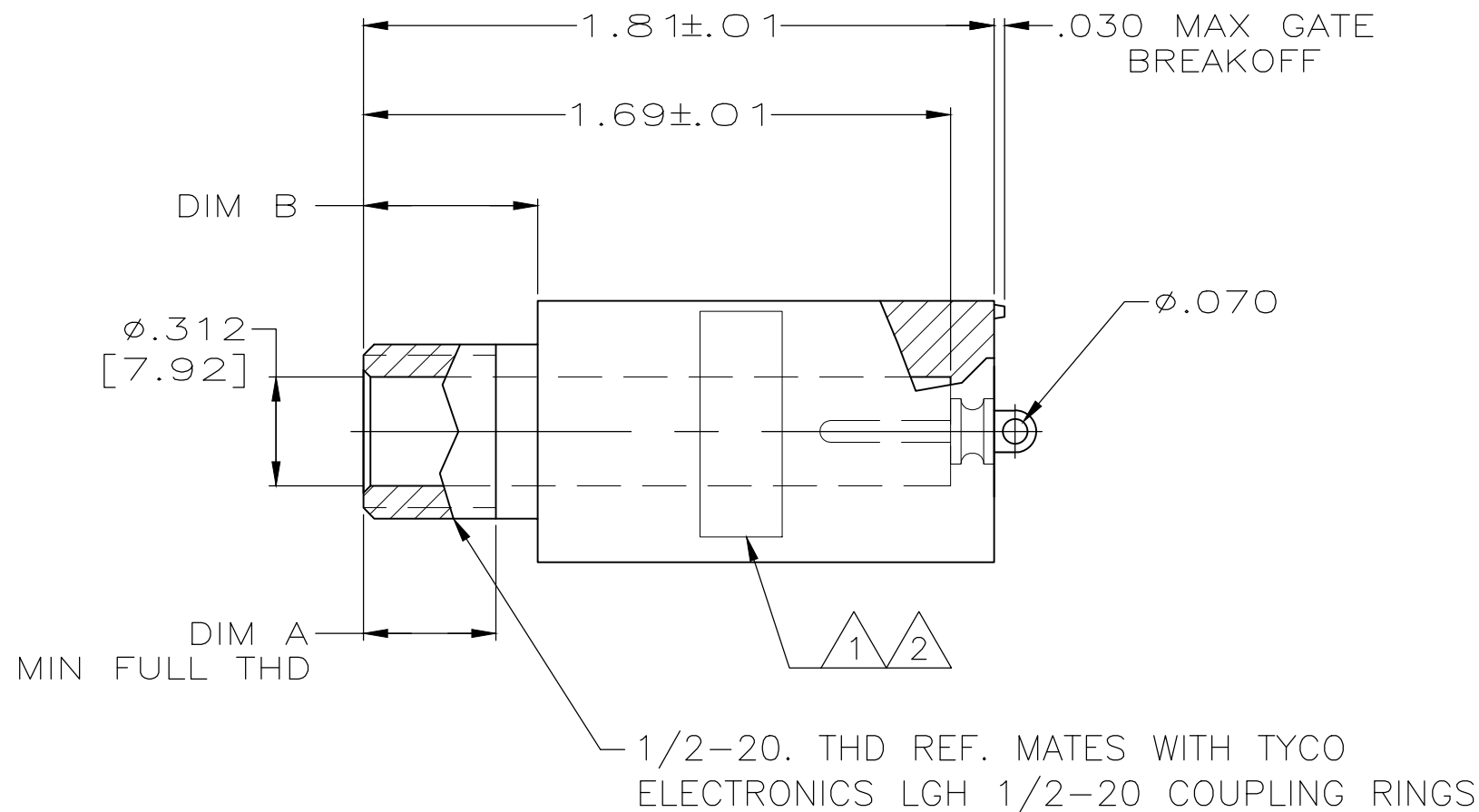
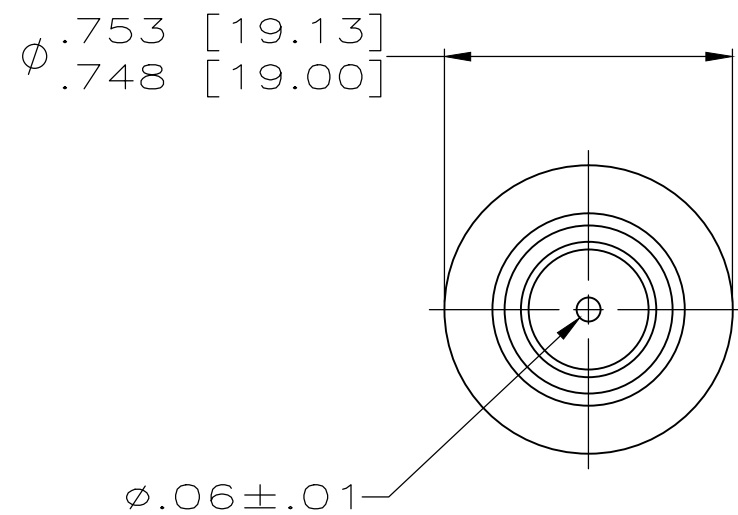


THIS DRAWING IS UNPUBLISHED. RELEASED FOR PUBLICATION - .N/A .  
 © COPYRIGHT N/A By - ALL RIGHTS RESERVED.

LOC	DIST	REVISIONS					
DF	SO	P	LTR	DESCRIPTION	DATE	DWN	APVD
		L		REVISED PER ECO-15-007054	06JUN2015	MGM	CT



- 1 MARKED PER MIL-STD-130.
- 2 MARKED PER MIL-STD-130, INCLUDING SPECIAL CUSTOMER MARKING FOR -7 ONLY.
- 3 CONTACT FINISH: TIN-LEAD .00010 MIN. THK PER SAE-AMS-P-81728 AND PARAGRAPH 6.3, 3-13% LEAD

-	.500 [12.70]	.38 [9.7]	TIN	5-858868-1
2	.500 [12.70]	.38 [9.7]	GOLD	858868-7
3	.630 [16.00]	.56 [14.2]	TIN-LEAD	858868-5
OBSOLETE	.500 [12.70]	.38 [9.7]	GOLD	858868-2
3	.500 [12.70]	.38 [9.7]	TIN-LEAD	858868-1
REMARKS	DIM B	DIM A	TERMINAL PLATING	PART NUMBER

THIS DRAWING IS A CONTROLLED DOCUMENT.		DWN MANJUNATH G M 06JUN2015	<b>STE</b> TE Connectivity	
DIMENSIONS: INCHES		CHK CHARLES THOMAS 06JUN2015		
TOLERANCES UNLESS OTHERWISE SPECIFIED:		APVD CHARLES THOMAS 06JUN2015	NAME RECEPTACLE ASSEMBLY LGH-1	
0 PLC ± - 1 PLC ± - 2 PLC ± - 3 PLC ± .005[0.13] 4 PLC ± - ANGLES ± -		PRODUCT SPEC -	APPLICATION SPEC -	
MATERIAL GLASS EPOXY MLDG CMPD		FINISH SEE TABLE	WEIGHT -	SIZE A3
CUSTOMER DRAWING			CAGE CODE 00779	DRAWING NO C-858868
			RESTRICTED TO -	SCALE 2:1
			SHEET 1 OF 1	REV L