

130017 ✓ ACTIVE

SOLISTRAND

TE Internal #: 130017

Ring Terminals & Spade Terminals, Ring Tongue, 22 – 16 AWG

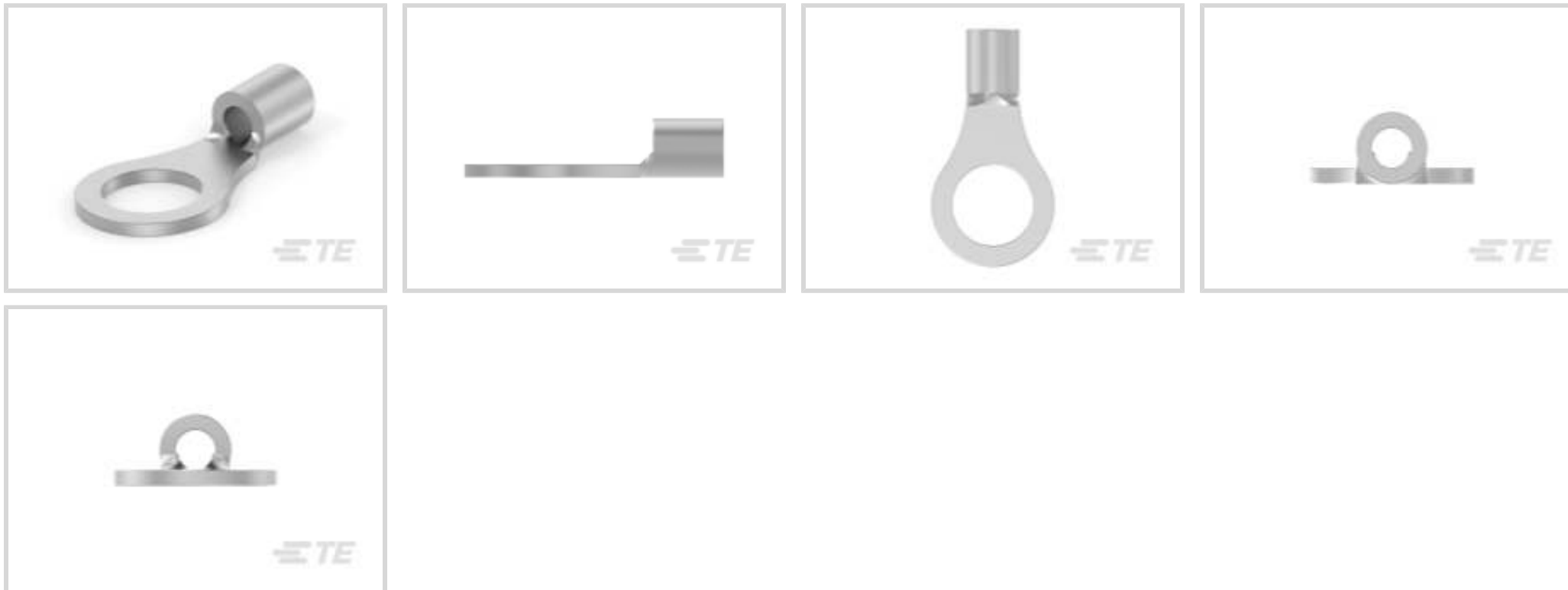
Wire Size, .26 – 1.65 mm² Wire Size, 509 – 3260 CMA Wire Size,

Stud Size M5

[View on TE.com >](#)



Terminals & Splices > Ring Terminals & Spade Terminals



Ring & Spade Terminal Type: **Ring Tongue**

Wire Size: **509 – 3260 CMA**

Stud Size: **M5**

Features

Product Type Features

Stud Size	M5
Sealable	No
Wire Insulation Support Retention Type	Non-Insulation Support

Contact Features

Ring & Spade Terminal Type	Ring Tongue
Barrel Type	Closed
Terminal Orientation	Straight
Terminal Plating Material	Tin

Mechanical Attachment

Wire Insulation Support	Without
-------------------------	---------

Dimensions

Wire Size	509 – 3260 CMA
Stud Diameter	5.2 mm[.205 in]
Tongue Thickness	.79 mm[.031 in]
Product Length	15.88 mm[.63 in]



Barrel Inside Diameter	1.55 mm[.061 in]
------------------------	------------------

Usage Conditions

Insulation Option	Uninsulated
Operating Temperature Range	170 °C[338 °F]

Operation/Application

Compatible With Wire Base Material	Copper
Compatible With Wire Plating Material	Tin

Industry Standards

Government Qualified Terminal	No
-------------------------------	----

Packaging Features

Packaging Quantity	1000
Packaging Method	Loose Piece

Product Compliance

[For compliance documentation, visit the product page on TE.com>](#)

EU RoHS Directive 2011/65/EU	Compliant
EU ELV Directive 2000/53/EC	Compliant
China RoHS 2 Directive MIIT Order No 32, 2016	No Restricted Materials Above Threshold
EU REACH Regulation (EC) No. 1907/2006	Current ECHA Candidate List: JUNE 2023 (235) Candidate List Declared Against: JAN 2023 (233) Does not contain REACH SVHC
Halogen Content	Low Halogen - Br, Cl, F, I < 900 ppm per homogenous material. Also BFR/CFR/PVC Free
Solder Process Capability	Not applicable for solder process capability

Product Compliance Disclaimer

This information is provided based on reasonable inquiry of our suppliers and represents our current actual knowledge based on the information they provided. This information is subject to change. The part numbers that TE has identified as EU RoHS compliant have a maximum concentration of 0.1% by weight in homogenous materials for lead, hexavalent chromium, mercury, PBB, PBDE, DBP, BBP, DEHP, DIBP, and 0.01% for cadmium, or qualify for an exemption to these limits as defined in the Annexes of Directive 2011/65/EU (RoHS2). Finished electrical and electronic equipment products will be CE marked as required by Directive 2011/65/EU. Components may not be CE marked. Additionally, the part numbers that TE has identified as EU ELV compliant have a maximum concentration of 0.1% by weight in homogenous materials for lead, hexavalent chromium, and mercury, and 0.01% for cadmium, or qualify for an exemption to these limits as defined in the Annexes of Directive 2000/53/EC (ELV). Regarding the REACH Regulation, the information TE provides on SVHC in articles for this part number is based on the latest European Chemicals Agency (ECHA) 'Guidance on requirements for substances in articles' posted at this URL: <https://echa.europa.eu/guidance-documents/guidance-on-reach>

Compatible Parts



TE Part # 58545-1
SOLISTRAND 10-22 DIE ASSY



TE Part # 49935
DAHT SOLIS 22-10 ASSY



TE Part # 525693
DAHT SOLIS 22-10 ASSY



TE Part # 1377172-4
SMP 0-0130017-0



TE Part # 47812
DIES SOLIS 22-16 DIE SET



TE Part # 539662-2
MATR SOLISTR 0,3-6,



TE Part # 169400
CERTI-LOK FRAME W/O DIES

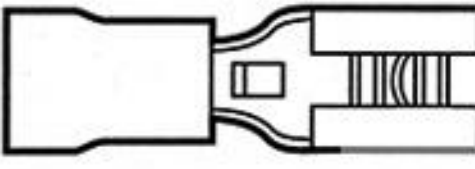
Customers Also Bought



TE Part #TAD14245101-005
M12D4-MR-PUR TYPE C GREEN-5.0M



TE Part #322797
SOLIS R HR 22-16COM 22-18MIL 6



TE Part #9-160483-5
187 PIDG FASTON REC



TE Part #34108
SOLIS R 22-16 COMM 22-18 MIL 8



TE Part #1-160655-1
FF 110 REC 0.5-1.5MM2 BR



TE Part #160625-2
110 FASTON,REC.,20-17 AWG,TPBR



TE Part #1766232-1
CONTACT,PIN, .25 DIA



TE Part #925552-2
WIRE PIN 20-17 AWG .013 PTPB



Documents

Product Drawings

[SOLIS R 22-16 5MM](#)

English

CAD Files

Customer View Model

[ENG_CVM_CVM_130017_D.2d_dxf.zip](#)

English

[3D PDF](#)

3D

Customer View Model

[ENG_CVM_CVM_130017_D.3d_igs.zip](#)

English

Customer View Model

[ENG_CVM_CVM_130017_D.3d_stp.zip](#)

English

By downloading the CAD file I accept and agree to the [Terms and Conditions](#) of use.

Product Environmental Compliance

[MD_130017_081920182337_dmtec](#)

English

[MD_130017_081920182337_dmtec](#)

English

Agency Approvals

[UL Report](#)

English

[UL Report](#)

English